

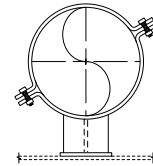
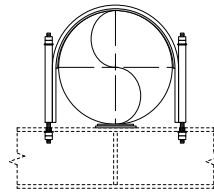
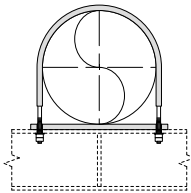
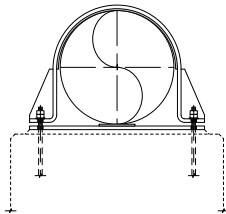
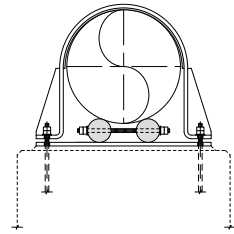
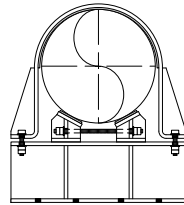
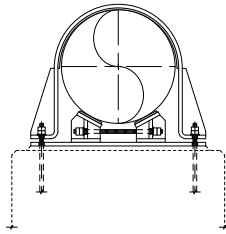
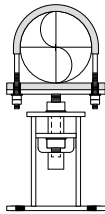


HOUSTON PIPE SUPPORTS

2024 PRODUCT CATALOG

DOCUMENT NO:

HPS-CAT-0124



0	11/10/2023	INITIAL RELEASE
REV	DATE	DESCRIPTION

CONTACT INFORMATION

Email: sales@houstonpipesupports.com
Phone: 346-302-9689
Website: www.houstonpipesupports.com

Mailing Address: *Houston Pipe Supports LLC
333 N Sam Houston Pkwy E, Suite 400
Houston, TX 77060*

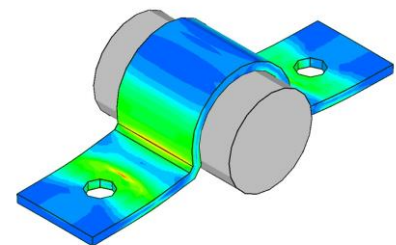
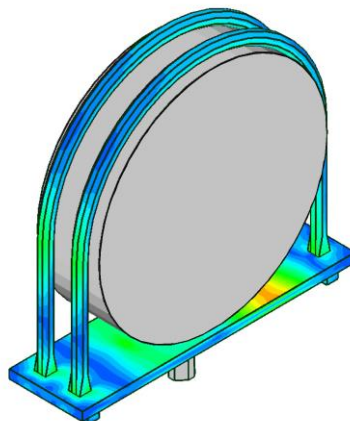
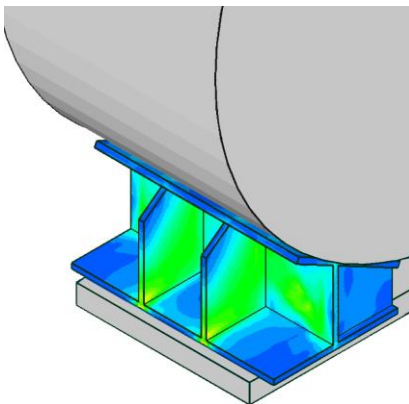
LOAD AND TEMPERATURE LIMITS

Standard load limits, temperature limits, and recommended torque values are available in the reference document "HPS Technical Bulletin #0220 - Pipe Support Product Engineering Data". Application-specific load and temperature limit evaluations (for both standard and custom products) are available upon request.

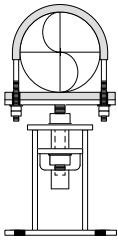
COATINGS AND LININGS

All carbon steel and bolting surfaces are supplied hot dipped galvanized. Lining material will be FRP, PTFE, or Neoprene (depending on the Figure #). U-bolts are coated with a polyolefin shrink wrap (for non FRP shielded applications). Half-round rod material is white thermoplastic. Alternate coatings, linings, or materials are available upon request.

SAMPLE PICTURES AND FEA ANALYSIS RENDERINGS



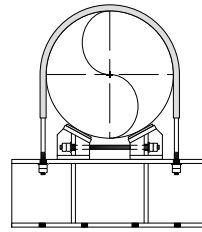
INDEX OF FIGURES



SERIES 1000

- Adjustable Base Pedestals Heavy Duty (HD) or Std. Duty (SD)
- Cradle, Flat, Valve, or Flange Head
- FRP Shielding on Pipe (Optional)

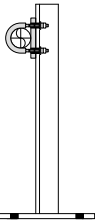
[PAGE 5](#)



SERIES 2200

- Adjustable Shim Blocks
- Hold Down or Guide U-Bolts
- Beam

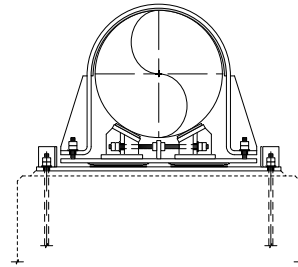
[PAGE 43](#)



SERIES 1500

- Angle Base
- Hold Down U-Bolt
- Half-Round Rod or FRP Pad

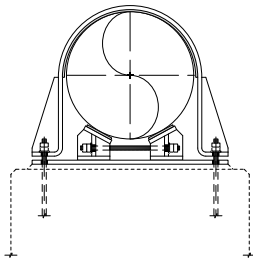
[PAGE 21](#)



SERIES 2300

- Adjustable Shim Blocks
- Hold Down or Guide Clamp
- Sliding Baseplate Assembly
- Type 1 or Type 2 Configuration

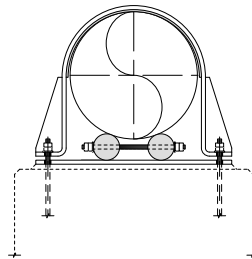
[PAGE 47](#)



SERIES 2000

- Adjustable Shim Blocks
- Hold Down or Guide Clamp
- Baseplate
- FRP Shielding on Pipe (Optional)

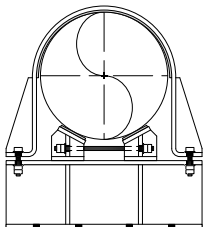
[PAGE 27](#)



SERIES 2500

- Adjustable Plastic Shim Blocks
- Hold Down or Guide Clamp
- Baseplate

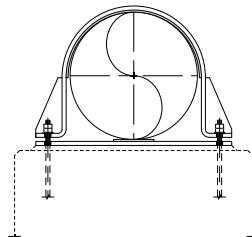
[PAGE 51](#)



SERIES 2100

- Adjustable Shim Blocks
- Hold Down or Guide Clamp
- Beam
- FRP Shielding on Pipe (Optional)

[PAGE 35](#)

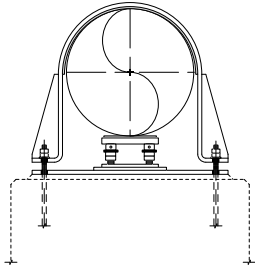


SERIES 3000

- Hold Down or Guide Clamp
- Baseplate w/ FRP Pad
- FRP Shielding on Pipe (Optional)

[PAGE 63](#)

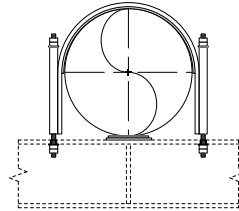
INDEX OF FIGURES (CONTINUED)



SERIES 3500

- Adjustable Spacer
- Hold Down Clamp
- Baseplate

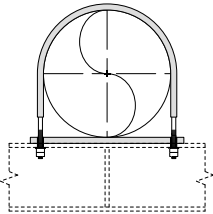
[PAGE 71](#)



SERIES 5000

- Extended Bolt Hold Down Clamp
- Teflon Pad w/ Backing Plate
- FRP Shielding on Pipe (Optional)

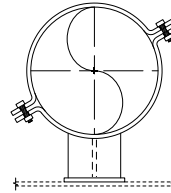
[PAGE 93](#)



SERIES 4000

- Hold Down or Guide U-Bolts
- Half Round Rods

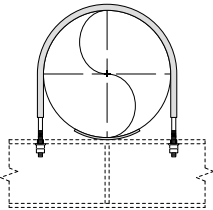
[PAGE 74](#)



SERIES 6000

- Bolted Pipe Shoe

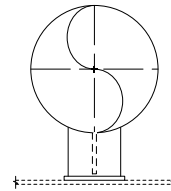
[PAGE 96](#)



SERIES 4100

- Hold Down or Guide U-Bolts
- FRP Saddle on Pipe
- FRP Shielding on Pipe (Optional)

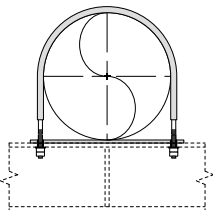
[PAGE 79](#)



SERIES 6500

- Weld-On Pipe Shoe

[PAGE 100](#)

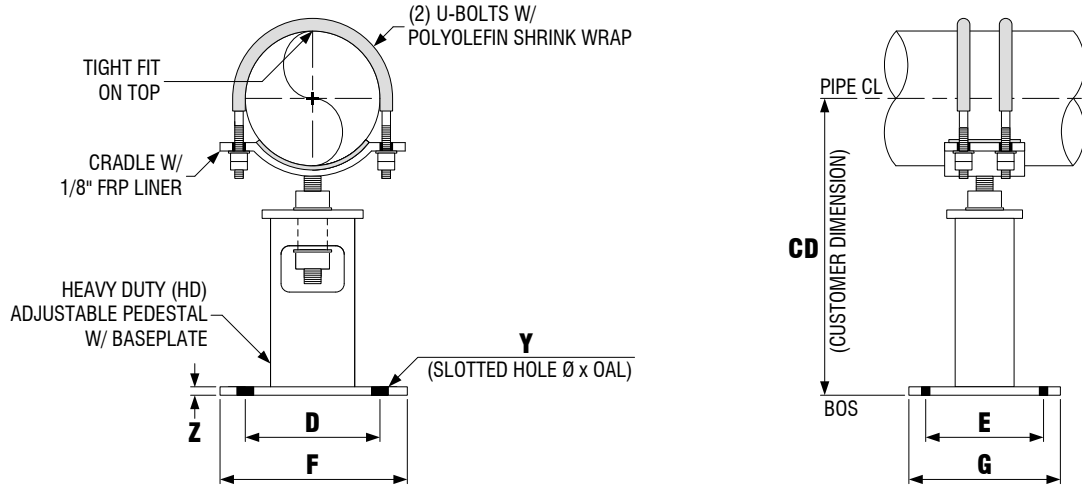


SERIES 4200

- Hold Down or Guide U-Bolts
- FRP Pads

[PAGE 89](#)

FIGURE 1001 HD ADJUSTABLE PEDESTAL, CRADLE, U-BOLTS



NPS	D	E	F	G	Y	Z	MIN CD (STD)	MIN CD (CE)
2"	5"	3 1/2"	8"	6"	5/8" x 1 1/2"	1/2"	1'-2 1/4"	8 7/16"
3"	5"	3 1/2"	8"	6"	5/8" x 1 1/2"	1/2"	1'-2 13/16"	9"
4"	5"	3 1/2"	8"	6"	5/8" x 1 1/2"	1/2"	1'-3 5/16"	9 1/2"
6"	7"	5 1/2"	10"	8"	5/8" x 1 1/2"	5/8"	1'-5 3/4"	11 13/16"
8"	7"	5 1/2"	10"	8"	5/8" x 1 1/2"	5/8"	1'-6 3/4"	1'-0 13/16"
10"	7"	5 1/2"	10"	8"	5/8" x 1 1/2"	5/8"	1'-7 13/16"	1'-1 7/8"
12"	9"	7 1/2"	1'-0"	10"	3/4" x 1 1/2"	3/4"	1'-9 15/16"	1'-3"
14"	9"	7 1/2"	1'-0"	10"	3/4" x 1 1/2"	3/4"	1'-10 9/16"	1'-3 5/8"
16"	9"	7 1/2"	1'-0"	10"	3/4" x 1 1/2"	3/4"	1'-11 9/16"	1'-4 5/8"
18"	9"	7 1/2"	1'-0"	10"	3/4" x 1 1/2"	3/4"	2'-0 9/16"	1'-5 5/8"
20"	9"	7 1/2"	1'-0"	10"	7/8" x 1 1/2"	3/4"	2'-5 7/16"	1'-10 1/8"
24"	9"	7 1/2"	1'-0"	10"	7/8" x 1 1/2"	3/4"	2'-7 7/16"	2'-0 1/8"
30"	11"	9 1/2"	1'-2"	1'-0"	7/8" x 1 1/2"	7/8"	2'-10 9/16"	2'-3 1/4"
36"	11"	9 1/2"	1'-2"	1'-0"	7/8" x 1 1/2"	7/8"	3'-1 9/16"	2'-6 1/4"

HOW TO ORDER

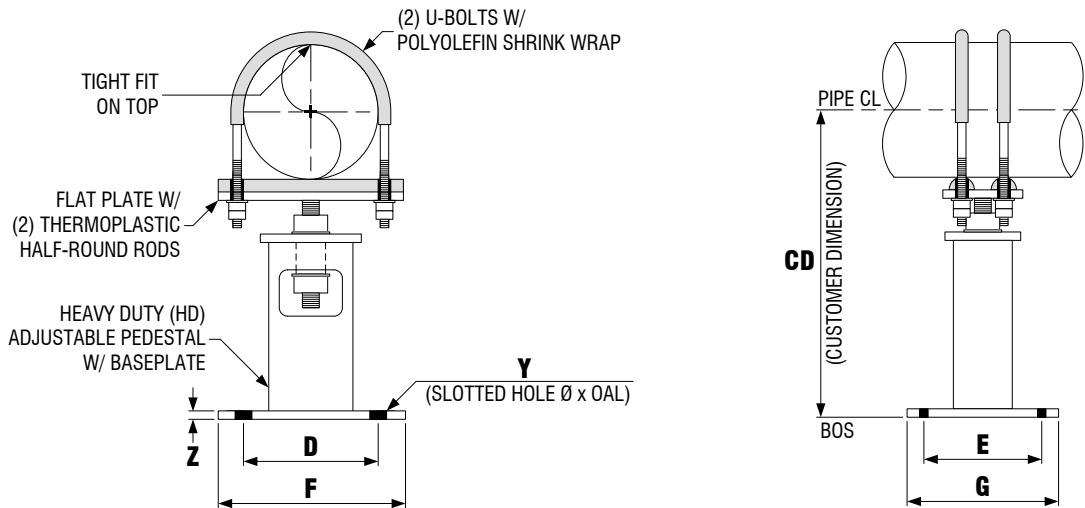
FIGURE # PIPE NPS "CD" DIM OPTIONS
 - - -

EXAMPLE: HPS-1001-20"-44.5"

OPTION CODES

- NH - BASEPLATE W/O HOLES
- NP - PEDESTAL W/O BASEPLATE
- CE - EXTRA COMPACT HEIGHT
- GF - HH NUT GREASE FITTINGS

FIGURE 1002 HD ADJUSTABLE PEDESTAL, HALF-ROUND RODS, U-BOLTS



NPS	D	E	F	G	Y	Z	MIN CD (STD)	MIN CD (CE)
2"	5"	3 1/2"	8"	6"	5/8" x 1 1/2"	1/2"	1'-2 11/16"	8 7/8"
3"	5"	3 1/2"	8"	6"	5/8" x 1 1/2"	1/2"	1'-3 1/4"	9 7/16"
4"	5"	3 1/2"	8"	6"	5/8" x 1 1/2"	1/2"	1'-3 3/4"	9 15/16"
6"	7"	5 1/2"	10"	8"	5/8" x 1 1/2"	5/8"	1'-6 3/16"	1'-0 1/4"
8"	7"	5 1/2"	10"	8"	5/8" x 1 1/2"	5/8"	1'-7 3/16"	1'-1 1/4"
10"	7"	5 1/2"	10"	8"	5/8" x 1 1/2"	5/8"	1'-8 1/2"	1'-2 9/16"
12"	9"	7 1/2"	1'-0"	10"	3/4" x 1 1/2"	3/4"	1'-10 3/4"	1'-3 13/16"
14"	9"	7 1/2"	1'-0"	10"	3/4" x 1 1/2"	3/4"	1'-11 3/8"	1'-4 7/16"
16"	9"	7 1/2"	1'-0"	10"	3/4" x 1 1/2"	3/4"	2'-0 1/2"	1'-5 9/16"
18"	9"	7 1/2"	1'-0"	10"	3/4" x 1 1/2"	3/4"	2'-1 1/2"	1'-6 9/16"
20"	9"	7 1/2"	1'-0"	10"	7/8" x 1 1/2"	3/4"	2'-6 3/8"	1'-11 1/16"
24"	9"	7 1/2"	1'-0"	10"	7/8" x 1 1/2"	3/4"	2'-8 3/8"	2'-1 1/16"
30"	11"	9 1/2"	1'-2"	1'-0"	7/8" x 1 1/2"	7/8"	2'-11 1/2"	2'-4 3/16"
36"	11"	9 1/2"	1'-2"	1'-0"	7/8" x 1 1/2"	7/8"	3'-2 5/8"	2'-7 5/16"

HOW TO ORDER

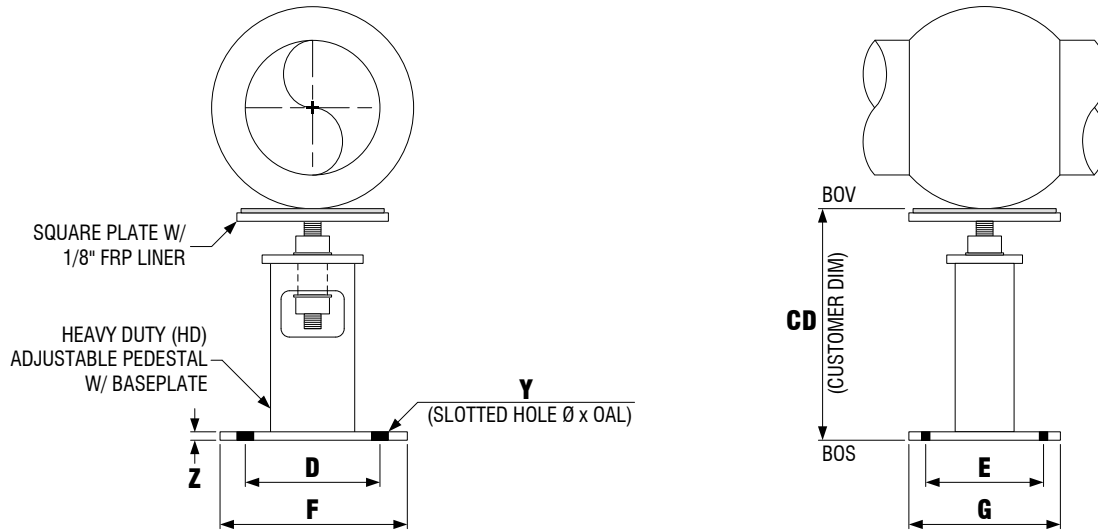
FIGURE # PIPE NPS "CD" DIM OPTIONS
 - - -

EXAMPLE: HPS-1002-20"-44.5"

OPTION CODES

NH - BASEPLATE W/O HOLES
 NP - PEDESTAL W/O BASEPLATE
 CE - EXTRA COMPACT HEIGHT
 GF - HH NUT GREASE FITTINGS

**FIGURE 1003 HD ADJUSTABLE PEDESTAL,
VALVE SUPPORT PLATE**



NPS	D	E	F	G	Y	Z	MIN CD (STD)	MIN CD (CE)
2"	5"	3 1/2"	8"	6"	5/8" x 1 1/2"	1/2"	1'-1 5/16"	7 1/2"
3"	5"	3 1/2"	8"	6"	5/8" x 1 1/2"	1/2"	1'-1 5/16"	7 1/2"
4"	5"	3 1/2"	8"	6"	5/8" x 1 1/2"	1/2"	1'-1 5/16"	7 1/2"
6"	7"	5 1/2"	10"	8"	5/8" x 1 1/2"	5/8"	1'-3 1/16"	9 1/8"
8"	7"	5 1/2"	10"	8"	5/8" x 1 1/2"	5/8"	1'-3 1/16"	9 1/8"
10"	7"	5 1/2"	10"	8"	5/8" x 1 1/2"	5/8"	1'-3 1/16"	9 1/8"
12"	9"	7 1/2"	1'-0"	10"	3/4" x 1 1/2"	3/4"	1'-4 3/16"	9 1/4"
14"	9"	7 1/2"	1'-0"	10"	3/4" x 1 1/2"	3/4"	1'-4 3/16"	9 1/4"
16"	9"	7 1/2"	1'-0"	10"	3/4" x 1 1/2"	3/4"	1'-4 3/16"	9 1/4"
18"	9"	7 1/2"	1'-0"	10"	3/4" x 1 1/2"	3/4"	1'-4 3/16"	9 1/4"
20"	9"	7 1/2"	1'-0"	10"	7/8" x 1 1/2"	3/4"	1'-8 1/16"	1'-0 3/4"
24"	9"	7 1/2"	1'-0"	10"	7/8" x 1 1/2"	3/4"	1'-8 1/16"	1'-0 3/4"
30"	11"	9 1/2"	1'-2"	1'-0"	7/8" x 1 1/2"	7/8"	1'-8 3/16"	1'-0 7/8"
36"	11"	9 1/2"	1'-2"	1'-0"	7/8" x 1 1/2"	7/8"	1'-8 3/16"	1'-0 7/8"

HOW TO ORDER

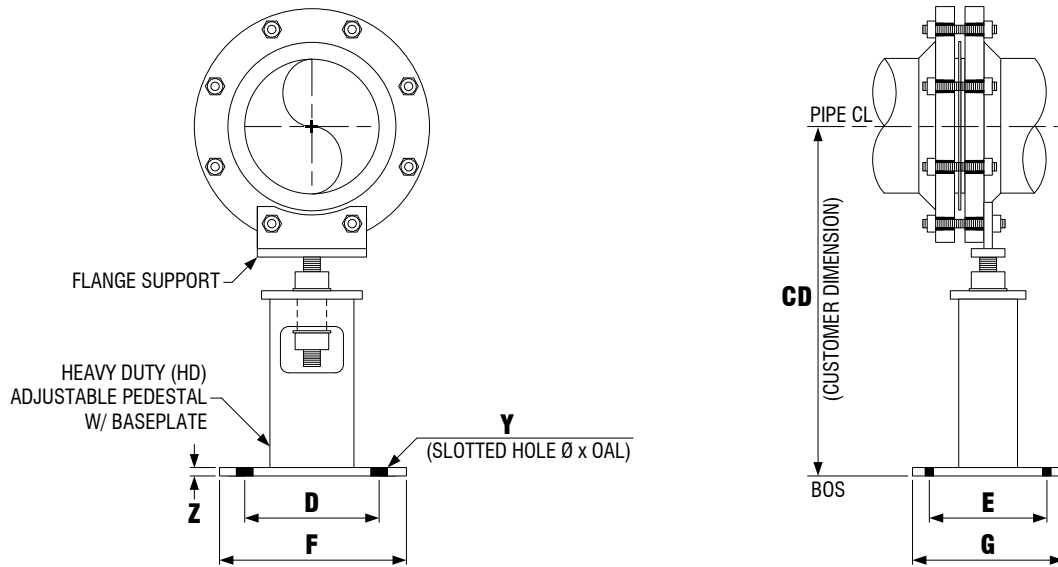
FIGURE # PIPE NPS "CD" DIM OPTIONS
 - - -

EXAMPLE: HPS-1003-20"-44.5"

OPTION CODES

- NH - BASEPLATE W/O HOLES
- NP - PEDESTAL W/O BASEPLATE
- CE - EXTRA COMPACT HEIGHT
- GF - HH NUT GREASE FITTINGS

**FIGURE 1004 HD ADJUSTABLE PEDESTAL,
FLANGE SUPPORT**



NPS	D	E	F	G	Y	Z	MIN CD (STD)
2"	5"	3 1/2"	8"	6"	5/8" x 1 1/2"	1/2"	VARIES
3"	5"	3 1/2"	8"	6"	5/8" x 1 1/2"	1/2"	VARIES
4"	5"	3 1/2"	8"	6"	5/8" x 1 1/2"	1/2"	VARIES
6"	7"	5 1/2"	10"	8"	5/8" x 1 1/2"	5/8"	VARIES
8"	7"	5 1/2"	10"	8"	5/8" x 1 1/2"	5/8"	VARIES
10"	7"	5 1/2"	10"	8"	5/8" x 1 1/2"	5/8"	VARIES
12"	9"	7 1/2"	1'-0"	10"	3/4" x 1 1/2"	3/4"	VARIES
14"	9"	7 1/2"	1'-0"	10"	3/4" x 1 1/2"	3/4"	VARIES
16"	9"	7 1/2"	1'-0"	10"	3/4" x 1 1/2"	3/4"	VARIES
18"	9"	7 1/2"	1'-0"	10"	3/4" x 1 1/2"	3/4"	VARIES
20"	9"	7 1/2"	1'-0"	10"	7/8" x 1 1/2"	3/4"	VARIES
24"	9"	7 1/2"	1'-0"	10"	7/8" x 1 1/2"	3/4"	VARIES
30"	11"	9 1/2"	1'-2"	1'-0"	7/8" x 1 1/2"	7/8"	VARIES
36"	11"	9 1/2"	1'-2"	1'-0"	7/8" x 1 1/2"	7/8"	VARIES

HOW TO ORDER

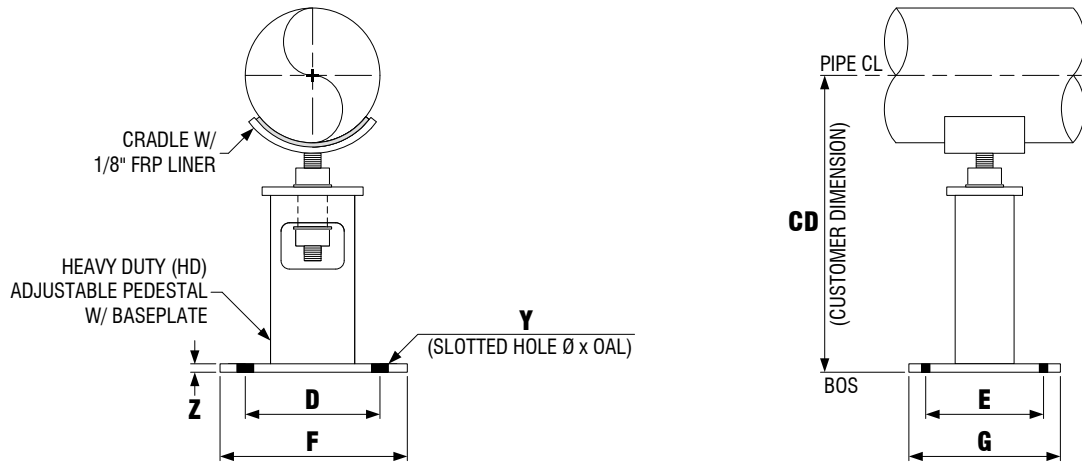
FIGURE # PIPE NPS "CD" DIM FLG. CLASS OPTIONS
HPS-1004 - - - -

EXAMPLE: HPS-1004-20"-44.5"

OPTION CODES

NH - BASEPLATE W/O HOLES
 NP - PEDESTAL W/O BASEPLATE
 CE - EXTRA COMPACT HEIGHT
 GF - HH NUT GREASE FITTINGS

**FIGURE 1005 HD ADJUSTABLE PEDESTAL,
CRADLE**



NPS	D	E	F	G	Y	Z	MIN CD (STD)	MIN CD (CE)
2"	5"	3 1/2"	8"	6"	5/8" x 1 1/2"	1/2"	1'-2 1/4"	8 7/16"
3"	5"	3 1/2"	8"	6"	5/8" x 1 1/2"	1/2"	1'-2 13/16"	9"
4"	5"	3 1/2"	8"	6"	5/8" x 1 1/2"	1/2"	1'-3 5/16"	9 1/2"
6"	7"	5 1/2"	10"	8"	5/8" x 1 1/2"	5/8"	1'-5 3/4"	11 13/16"
8"	7"	5 1/2"	10"	8"	5/8" x 1 1/2"	5/8"	1'-6 3/4"	1'-0 13/16"
10"	7"	5 1/2"	10"	8"	5/8" x 1 1/2"	5/8"	1'-7 13/16"	1'-1 7/8"
12"	9"	7 1/2"	1'-0"	10"	3/4" x 1 1/2"	3/4"	1'-9 15/16"	1'-3"
14"	9"	7 1/2"	1'-0"	10"	3/4" x 1 1/2"	3/4"	1'-10 9/16"	1'-3 5/8"
16"	9"	7 1/2"	1'-0"	10"	3/4" x 1 1/2"	3/4"	1'-11 9/16"	1'-4 5/8"
18"	9"	7 1/2"	1'-0"	10"	3/4" x 1 1/2"	3/4"	2'-0 9/16"	1'-5 5/8"
20"	9"	7 1/2"	1'-0"	10"	7/8" x 1 1/2"	3/4"	2'-5 7/16"	1'-10 1/8"
24"	9"	7 1/2"	1'-0"	10"	7/8" x 1 1/2"	3/4"	2'-7 7/16"	2'-0 1/8"
30"	11"	9 1/2"	1'-2"	1'-0"	7/8" x 1 1/2"	7/8"	2'-10 9/16"	2'-3 1/4"
36"	11"	9 1/2"	1'-2"	1'-0"	7/8" x 1 1/2"	7/8"	3'-1 9/16"	2'-6 1/4"

HOW TO ORDER

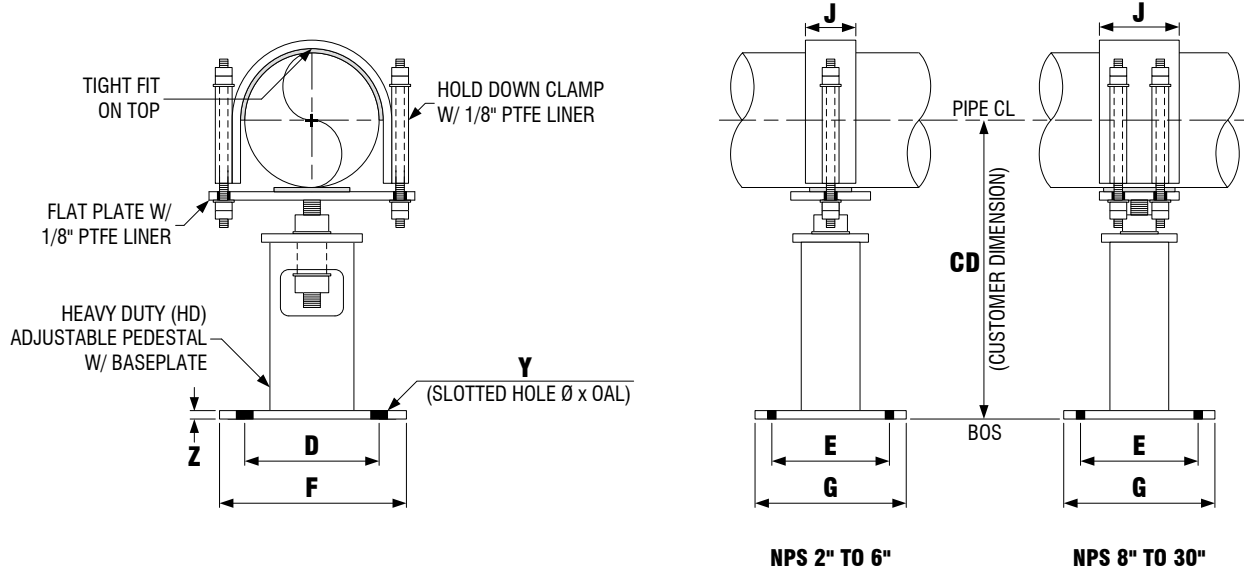
FIGURE # PIPE NPS "CD" DIM OPTIONS
 - - -

EXAMPLE: HPS-1005-20"-44.5"

OPTION CODES

- NH - BASEPLATE W/O HOLES
- NP - PEDESTAL W/O BASEPLATE
- CE - EXTRA COMPACT HEIGHT
- GF - HH NUT GREASE FITTINGS

**FIGURE 1006 HD ADJUSTABLE PEDESTAL,
HOLD DOWN CLAMP**



NPS	D	E	F	G	J	Y	Z	MIN CD (STD)	MIN CD (CE)
2"	5"	3 1/2"	8"	6"	2"	5/8" x 1 1/2"	1/2"	1'-2 3/8"	8 9/16"
3"	5"	3 1/2"	8"	6"	2"	5/8" x 1 1/2"	1/2"	1'-2 15/16"	9 1/8"
4"	5"	3 1/2"	8"	6"	2"	5/8" x 1 1/2"	1/2"	1'-3 7/16"	9 5/8"
6"	7"	5 1/2"	10"	8"	3"	5/8" x 1 1/2"	5/8"	1'-5 7/8"	11 15/16"
8"	7"	5 1/2"	10"	8"	8"	5/8" x 1 1/2"	5/8"	1'-6 7/8"	1'-0 15/16"
10"	7"	5 1/2"	10"	8"	8"	5/8" x 1 1/2"	5/8"	1'-7 15/16"	1'-2"
12"	9"	7 1/2"	1'-0"	10"	8"	3/4" x 1 1/2"	3/4"	1'-10 3/16"	1'-3 1/4"
14"	9"	7 1/2"	1'-0"	10"	8"	3/4" x 1 1/2"	3/4"	1'-10 13/16"	1'-3 7/8"
16"	9"	7 1/2"	1'-0"	10"	8"	3/4" x 1 1/2"	3/4"	1'-11 15/16"	1'-5"
18"	9"	7 1/2"	1'-0"	10"	8"	3/4" x 1 1/2"	3/4"	2'-0 15/16"	1'-6"
20"	9"	7 1/2"	1'-0"	10"	8"	7/8" x 1 1/2"	3/4"	2'-5 13/16"	1'-10 1/2"
24"	9"	7 1/2"	1'-0"	10"	8"	7/8" x 1 1/2"	3/4"	2'-7 13/16"	2'-0 1/2"
30"	11"	9 1/2"	1'-2"	1'-0"	8"	7/8" x 1 1/2"	7/8"	2'-10 15/16"	2'-3 5/8"

HOW TO ORDER

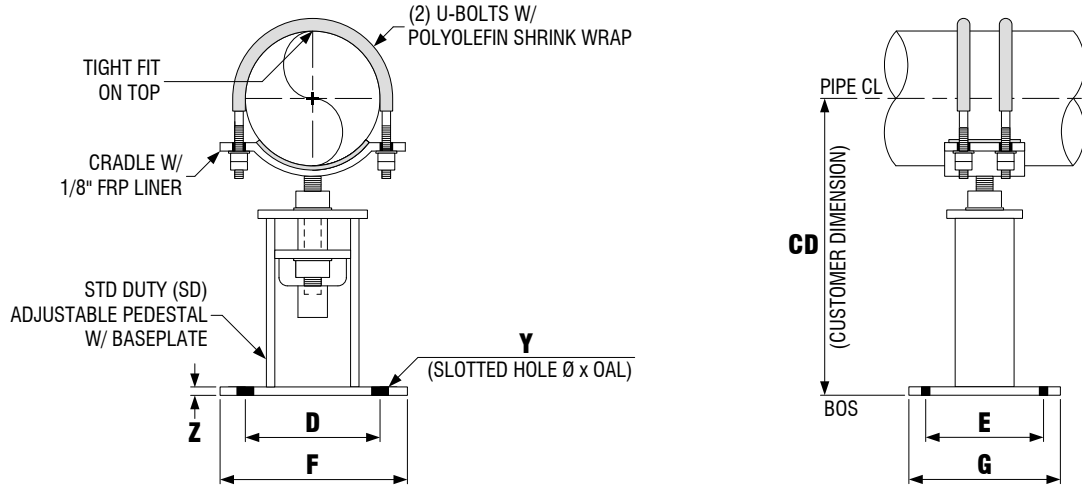
FIGURE # PIPE NPS "CD" DIM OPTIONS
 - - -

EXAMPLE: HPS-1006-20"-44.5"

OPTION CODES

- NH - BASEPLATE W/O HOLES
- NP - PEDESTAL W/O BASEPLATE
- CE - EXTRA COMPACT HEIGHT
- GF - HH NUT GREASE FITTINGS

FIGURE 1021 SD ADJUSTABLE PEDESTAL, CRADLE, U-BOLTS



NPS	D	E	F	G	Y	Z	MIN CD (STD)	MIN CD (CH)	MIN CD (CE)
2"	5"	3 1/2"	8"	6"	5/8" x 1 1/2"	1/2"	1'-4"	1'-2 3/8"	8 7/16"
3"	5"	3 1/2"	8"	6"	5/8" x 1 1/2"	1/2"	1'-4 9/16"	1'-2 15/16"	9"
4"	5"	3 1/2"	8"	6"	5/8" x 1 1/2"	1/2"	1'-5 1/16"	1'-3 7/16"	9 1/2"
6"	7"	5 1/2"	10"	8"	5/8" x 1 1/2"	1/2"	1'-7 3/8"	1'-5 3/4"	1'-0"
8"	7"	5 1/2"	10"	8"	5/8" x 1 1/2"	1/2"	1'-8 3/8"	1'-6 3/4"	1'-1"
10"	7"	5 1/2"	10"	8"	5/8" x 1 1/2"	1/2"	1'-9 7/16"	1'-7 13/16"	1'-2 1/16"
12"	9"	7 1/2"	1'-0"	10"	3/4" x 1 1/2"	5/8"	1'-11 9/16"	1'-9 15/16"	1'-3 5/16"
14"	9"	7 1/2"	1'-0"	10"	3/4" x 1 1/2"	5/8"	2'-0 3/16"	1'-10 9/16"	1'-3 15/16"
16"	9"	7 1/2"	1'-0"	10"	3/4" x 1 1/2"	5/8"	2'-1 3/16"	1'-11 9/16"	1'-4 15/16"
18"	9"	7 1/2"	1'-0"	10"	3/4" x 1 1/2"	5/8"	2'-2 3/16"	2'-0 9/16"	1'-5 15/16"
20"	9"	7 1/2"	1'-0"	10"	7/8" x 1 1/2"	5/8"	2'-7 5/16"	2'-5 7/16"	1'-10 3/8"
24"	9"	7 1/2"	1'-0"	10"	7/8" x 1 1/2"	5/8"	2'-9 5/16"	2'-7 7/16"	2'-0 3/8"
30"	11"	9 1/2"	1'-2"	1'-0"	7/8" x 1 1/2"	3/4"	3'-0 7/16"	2'-10 9/16"	2'-3 5/8"
36"	11"	9 1/2"	1'-2"	1'-0"	7/8" x 1 1/2"	3/4"	3'-3 7/16"	3'-1 9/16"	2'-6 5/8"

HOW TO ORDER

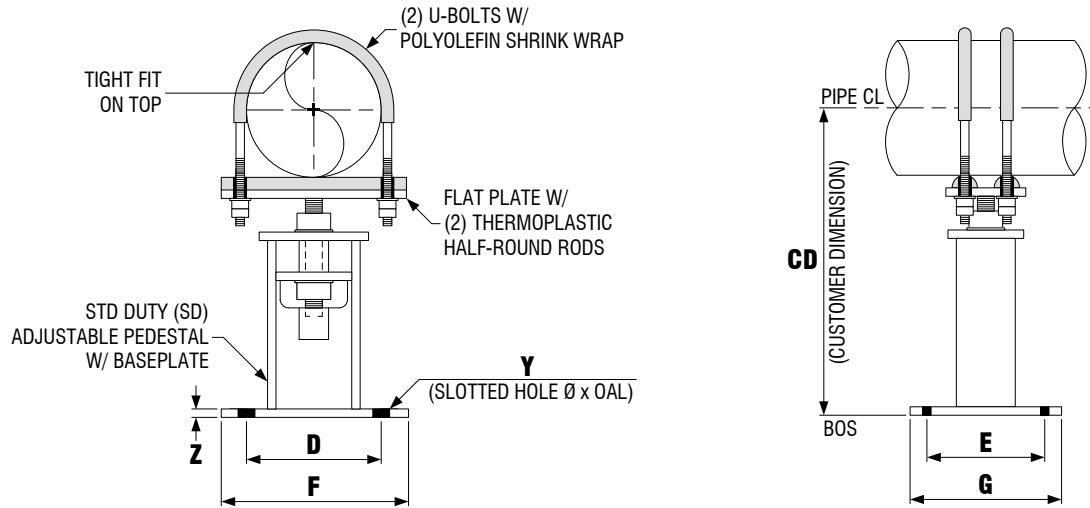
FIGURE # PIPE NPS "CD" DIM OPTIONS
HPS-1021 - - -

EXAMPLE: HPS-1021-20"-44.5"

OPTION CODES

- NH - BASEPLATE W/O HOLES
- NP - PEDESTAL W/O BASEPLATE
- CE - EXTRA COMPACT HEIGHT
- CH - COMPACT HEIGHT
- GF - HH NUT GREASE FITTINGS

FIGURE 1022 SD ADJUSTABLE PEDESTAL, HALF-ROUND RODS, U-BOLTS



NPS	D	E	F	G	Y	Z	MIN CD (STD)	MIN CD (CH)	MIN CD (CE)
2"	5"	3 1/2"	8"	6"	5/8" x 1 1/2"	1/2"	1'-4 7/16"	1'-2 13/16"	8 7/8"
3"	5"	3 1/2"	8"	6"	5/8" x 1 1/2"	1/2"	1'-5"	1'-3 3/8"	9 7/16"
4"	5"	3 1/2"	8"	6"	5/8" x 1 1/2"	1/2"	1'-5 1/2"	1'-3 7/8"	9 15/16"
6"	7"	5 1/2"	10"	8"	5/8" x 1 1/2"	1/2"	1'-7 13/16"	1'-6 3/16"	1'-0 7/16"
8"	7"	5 1/2"	10"	8"	5/8" x 1 1/2"	1/2"	1'-8 13/16"	1'-7 3/16"	1'-1 7/16"
10"	7"	5 1/2"	10"	8"	5/8" x 1 1/2"	1/2"	1'-10 1/8"	1'-8 1/2"	1'-2 3/4"
12"	9"	7 1/2"	1'-0"	10"	3/4" x 1 1/2"	5/8"	2'-0 3/8"	1'-10 3/4"	1'-4 1/8"
14"	9"	7 1/2"	1'-0"	10"	3/4" x 1 1/2"	5/8"	2'-1"	1'-11 3/8"	1'-4 3/4"
16"	9"	7 1/2"	1'-0"	10"	3/4" x 1 1/2"	5/8"	2'-2 1/8"	2'-0 1/2"	1'-5 7/8"
18"	9"	7 1/2"	1'-0"	10"	3/4" x 1 1/2"	5/8"	2'-3 1/8"	2'-1 1/2"	1'-6 7/8"
20"	9"	7 1/2"	1'-0"	10"	7/8" x 1 1/2"	5/8"	2'-8 1/4"	2'-6 3/8"	1'-11 5/16"
24"	9"	7 1/2"	1'-0"	10"	7/8" x 1 1/2"	5/8"	2'-10 1/4"	2'-8 3/8"	2'-1 5/16"
30"	11"	9 1/2"	1'-2"	1'-0"	7/8" x 1 1/2"	3/4"	3'-1 3/8"	2'-11 1/2"	2'-4 9/16"
36"	11"	9 1/2"	1'-2"	1'-0"	7/8" x 1 1/2"	3/4"	3'-4 1/2"	3'-2 5/8"	2'-7 11/16"

HOW TO ORDER

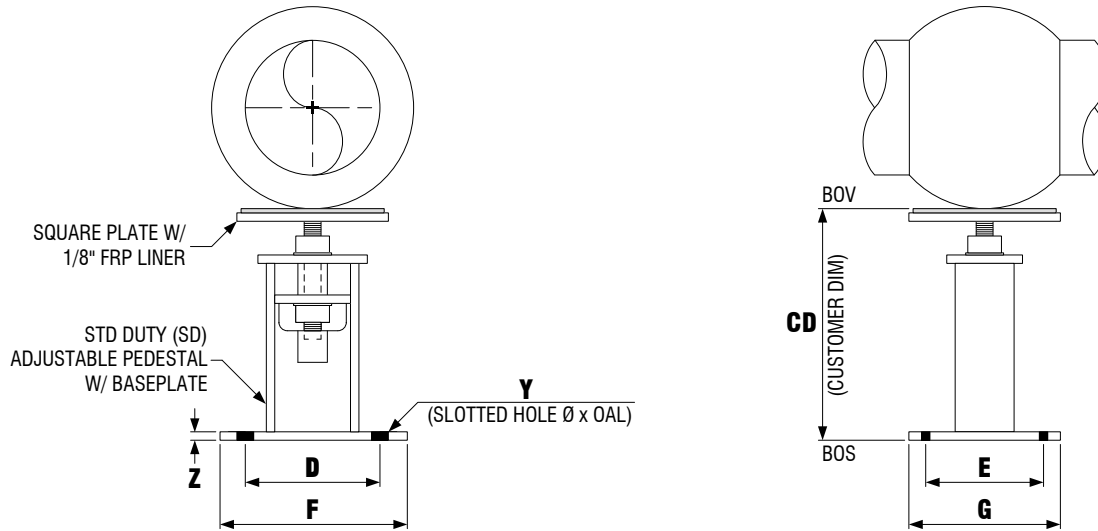
FIGURE # PIPE NPS "CD" DIM OPTIONS
 - - -

EXAMPLE: HPS-1022-20"-44.5"

OPTION CODES

- NH - BASEPLATE W/O HOLES
- NP - PEDESTAL W/O BASEPLATE
- CE - EXTRA COMPACT HEIGHT
- CH - COMPACT HEIGHT
- GF - HH NUT GREASE FITTINGS

**FIGURE 1023 SD ADJUSTABLE PEDESTAL,
VALVE SUPPORT PLATE**



NPS	D	E	F	G	Y	Z	MIN CD (STD)	MIN CD (CH)	MIN CD (CE)
2"	5"	3 1/2"	8"	6"	5/8" x 1 1/2"	1/2"	1'-3 1/16"	1'-1 7/16"	7 1/2"
3"	5"	3 1/2"	8"	6"	5/8" x 1 1/2"	1/2"	1'-3 1/16"	1'-1 7/16"	7 1/2"
4"	5"	3 1/2"	8"	6"	5/8" x 1 1/2"	1/2"	1'-3 1/16"	1'-1 7/16"	7 1/2"
6"	7"	5 1/2"	10"	8"	5/8" x 1 1/2"	1/2"	1'-4 11/16"	1'-3 1/16"	9 5/16"
8"	7"	5 1/2"	10"	8"	5/8" x 1 1/2"	1/2"	1'-4 11/16"	1'-3 1/16"	9 5/16"
10"	7"	5 1/2"	10"	8"	5/8" x 1 1/2"	1/2"	1'-4 11/16"	1'-3 1/16"	9 5/16"
12"	9"	7 1/2"	1'-0"	10"	3/4" x 1 1/2"	5/8"	1'-5 13/16"	1'-4 3/16"	9 9/16"
14"	9"	7 1/2"	1'-0"	10"	3/4" x 1 1/2"	5/8"	1'-5 13/16"	1'-4 3/16"	9 9/16"
16"	9"	7 1/2"	1'-0"	10"	3/4" x 1 1/2"	5/8"	1'-5 13/16"	1'-4 3/16"	9 9/16"
18"	9"	7 1/2"	1'-0"	10"	3/4" x 1 1/2"	5/8"	1'-5 13/16"	1'-4 3/16"	9 9/16"
20"	9"	7 1/2"	1'-0"	10"	7/8" x 1 1/2"	5/8"	1'-9 15/16"	1'-8 1/16"	1'-1"
24"	9"	7 1/2"	1'-0"	10"	7/8" x 1 1/2"	5/8"	1'-9 15/16"	1'-8 1/16"	1'-1"
30"	11"	9 1/2"	1'-2"	1'-0"	7/8" x 1 1/2"	3/4"	1'-10 1/16"	1'-8 3/16"	1'-1 1/4"
36"	11"	9 1/2"	1'-2"	1'-0"	7/8" x 1 1/2"	3/4"	1'-10 1/16"	1'-8 3/16"	1'-1 1/4"

HOW TO ORDER

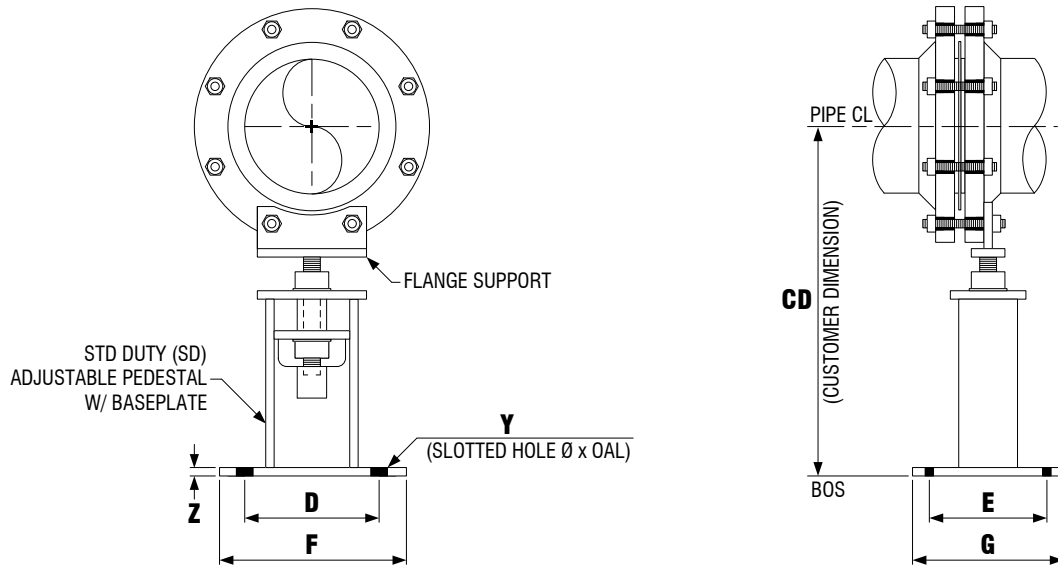
FIGURE # PIPE NPS "CD" DIM OPTIONS
 - - -

EXAMPLE: HPS-1023-20"-44.5"

OPTION CODES

- NH - BASEPLATE W/O HOLES
- NP - PEDESTAL W/O BASEPLATE
- CE - EXTRA COMPACT HEIGHT
- CH - COMPACT HEIGHT
- GF - HH NUT GREASE FITTINGS

**FIGURE 1024 SD ADJUSTABLE PEDESTAL,
FLANGE SUPPORT**



NPS	D	E	F	G	Y	Z	MIN CD
2"	5"	3 1/2"	8"	6"	5/8" x 1 1/2"	1/2"	VARIES
3"	5"	3 1/2"	8"	6"	5/8" x 1 1/2"	1/2"	VARIES
4"	5"	3 1/2"	8"	6"	5/8" x 1 1/2"	1/2"	VARIES
6"	7"	5 1/2"	10"	8"	5/8" x 1 1/2"	1/2"	VARIES
8"	7"	5 1/2"	10"	8"	5/8" x 1 1/2"	1/2"	VARIES
10"	7"	5 1/2"	10"	8"	5/8" x 1 1/2"	1/2"	VARIES
12"	9"	7 1/2"	1'-0"	10"	3/4" x 1 1/2"	5/8"	VARIES
14"	9"	7 1/2"	1'-0"	10"	3/4" x 1 1/2"	5/8"	VARIES
16"	9"	7 1/2"	1'-0"	10"	3/4" x 1 1/2"	5/8"	VARIES
18"	9"	7 1/2"	1'-0"	10"	3/4" x 1 1/2"	5/8"	VARIES
20"	9"	7 1/2"	1'-0"	10"	7/8" x 1 1/2"	5/8"	VARIES
24"	9"	7 1/2"	1'-0"	10"	7/8" x 1 1/2"	5/8"	VARIES
30"	11"	9 1/2"	1'-2"	1'-0"	7/8" x 1 1/2"	3/4"	VARIES
36"	11"	9 1/2"	1'-2"	1'-0"	7/8" x 1 1/2"	3/4"	VARIES

HOW TO ORDER

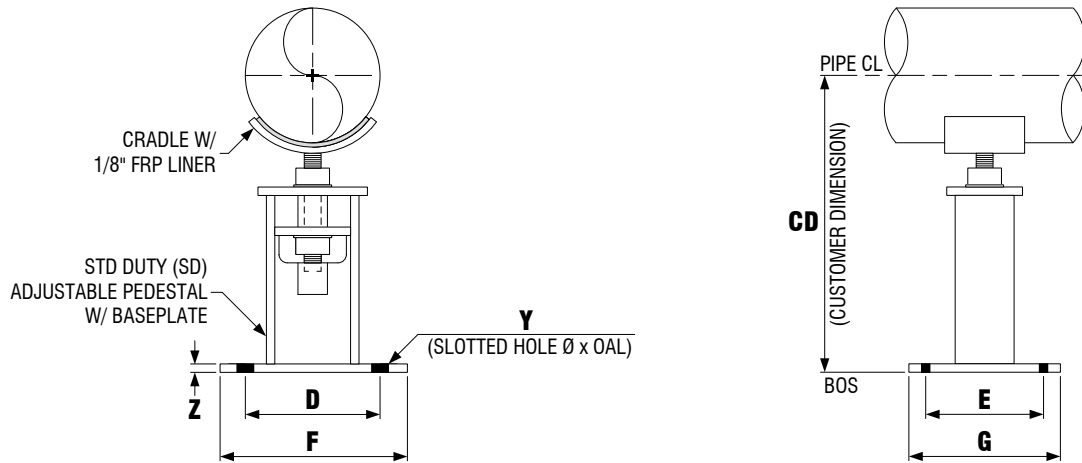
FIGURE # PIPE NPS "CD" DIM FLG. CLASS OPTIONS
 - - - -

EXAMPLE: HPS-1024-20"-44.5"-600#

OPTION CODES

- NH - BASEPLATE W/O HOLES
- NP - PEDESTAL W/O BASEPLATE
- CE - EXTRA COMPACT HEIGHT
- CH - COMPACT HEIGHT
- GF - HH NUT GREASE FITTINGS

**FIGURE 1025 SD ADJUSTABLE PEDESTAL,
CRADLE**



NPS	D	E	F	G	Y	Z	MIN CD (STD)	MIN CD (CH)	MIN CD (CE)
2"	5"	3 1/2"	8"	6"	5/8" x 1 1/2"	1/2"	1'-4"	1'-2 3/8"	8 7/16"
3"	5"	3 1/2"	8"	6"	5/8" x 1 1/2"	1/2"	1'-4 9/16"	1'-2 15/16"	9"
4"	5"	3 1/2"	8"	6"	5/8" x 1 1/2"	1/2"	1'-5 1/16"	1'-3 7/16"	9 1/2"
6"	7"	5 1/2"	10"	8"	5/8" x 1 1/2"	1/2"	1'-7 3/8"	1'-5 3/4"	1'-0"
8"	7"	5 1/2"	10"	8"	5/8" x 1 1/2"	1/2"	1'-8 3/8"	1'-6 3/4"	1'-1"
10"	7"	5 1/2"	10"	8"	5/8" x 1 1/2"	1/2"	1'-9 7/16"	1'-7 13/16"	1'-2 1/16"
12"	9"	7 1/2"	1'-0"	10"	3/4" x 1 1/2"	5/8"	1'-11 9/16"	1'-9 15/16"	1'-3 5/16"
14"	9"	7 1/2"	1'-0"	10"	3/4" x 1 1/2"	5/8"	2'-0 3/16"	1'-10 9/16"	1'-3 15/16"
16"	9"	7 1/2"	1'-0"	10"	3/4" x 1 1/2"	5/8"	2'-1 3/16"	1'-11 9/16"	1'-4 15/16"
18"	9"	7 1/2"	1'-0"	10"	3/4" x 1 1/2"	5/8"	2'-2 3/16"	2'-0 9/16"	1'-5 15/16"
20"	9"	7 1/2"	1'-0"	10"	7/8" x 1 1/2"	5/8"	2'-7 5/16"	2'-5 7/16"	1'-10 3/8"
24"	9"	7 1/2"	1'-0"	10"	7/8" x 1 1/2"	5/8"	2'-9 5/16"	2'-7 7/16"	2'-0 3/8"
30"	11"	9 1/2"	1'-2"	1'-0"	7/8" x 1 1/2"	3/4"	3'-0 7/16"	2'-10 9/16"	2'-3 5/8"
36"	11"	9 1/2"	1'-2"	1'-0"	7/8" x 1 1/2"	3/4"	3'-3 7/16"	3'-1 9/16"	2'-6 5/8"

HOW TO ORDER

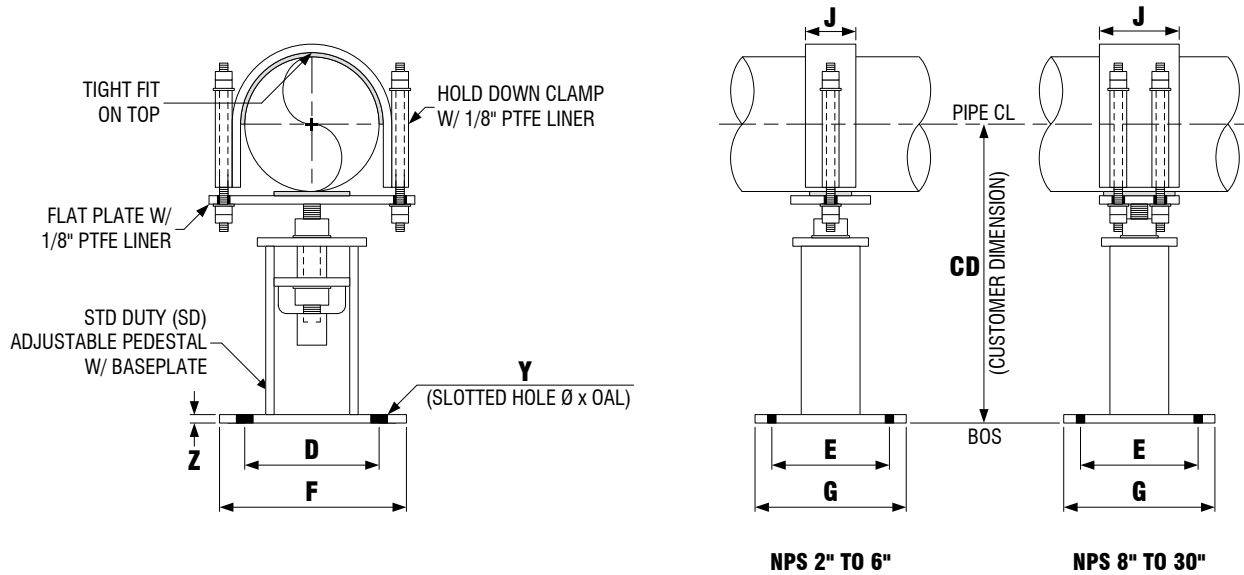
FIGURE # PIPE NPS "CD" DIM OPTIONS
 - - -

EXAMPLE: HPS-1025-20"-44.5"

OPTION CODES

- NH - BASEPLATE W/O HOLES
- NP - PEDESTAL W/O BASEPLATE
- CE - EXTRA COMPACT HEIGHT
- CH - COMPACT HEIGHT
- GF - HH NUT GREASE FITTINGS

**FIGURE 1026 SD ADJUSTABLE PEDESTAL,
HOLD DOWN CLAMP**



NPS	D	E	F	G	J	Y	Z	MIN CD (STD)	MIN CD (CH)	MIN CD (CE)
2"	5"	3 1/2"	8"	6"	2"	5/8" x 1 1/2"	1/2"	1'-4 1/8"	1'-2 1/2"	8 9/16"
3"	5"	3 1/2"	8"	6"	2"	5/8" x 1 1/2"	1/2"	1'-4 11/16"	1'-3 1/16"	9 1/8"
4"	5"	3 1/2"	8"	6"	2"	5/8" x 1 1/2"	1/2"	1'-5 3/16"	1'-3 9/16"	9 5/8"
6"	7"	5 1/2"	10"	8"	3"	5/8" x 1 1/2"	1/2"	1'-7 1/2"	1'-5 7/8"	1'-0 1/8"
8"	7"	5 1/2"	10"	8"	8"	5/8" x 1 1/2"	1/2"	1'-8 1/2"	1'-6 7/8"	1'-1 1/8"
10"	7"	5 1/2"	10"	8"	8"	5/8" x 1 1/2"	1/2"	1'-9 9/16"	1'-7 15/16"	1'-2 3/16"
12"	9"	7 1/2"	1'-0"	10"	8"	3/4" x 1 1/2"	5/8"	1'-11 13/16"	1'-10 3/16"	1'-3 9/16"
14"	9"	7 1/2"	1'-0"	10"	8"	3/4" x 1 1/2"	5/8"	2'-0 7/16"	1'-10 13/16"	1'-4 3/16"
16"	9"	7 1/2"	1'-0"	10"	8"	3/4" x 1 1/2"	5/8"	2'-1 9/16"	1'-11 15/16"	1'-5 5/16"
18"	9"	7 1/2"	1'-0"	10"	8"	3/4" x 1 1/2"	5/8"	2'-2 9/16"	2'-0 15/16"	1'-6 5/16"
20"	9"	7 1/2"	1'-0"	10"	8"	7/8" x 1 1/2"	5/8"	2'-7 11/16"	2'-5 13/16"	1'-10 3/4"
24"	9"	7 1/2"	1'-0"	10"	8"	7/8" x 1 1/2"	5/8"	2'-9 11/16"	2'-7 13/16"	2'-0 3/4"
30"	11"	9 1/2"	1'-2"	1'-0"	8"	7/8" x 1 1/2"	3/4"	3'-0 13/16"	2'-10 15/16"	2'-4"

HOW TO ORDER

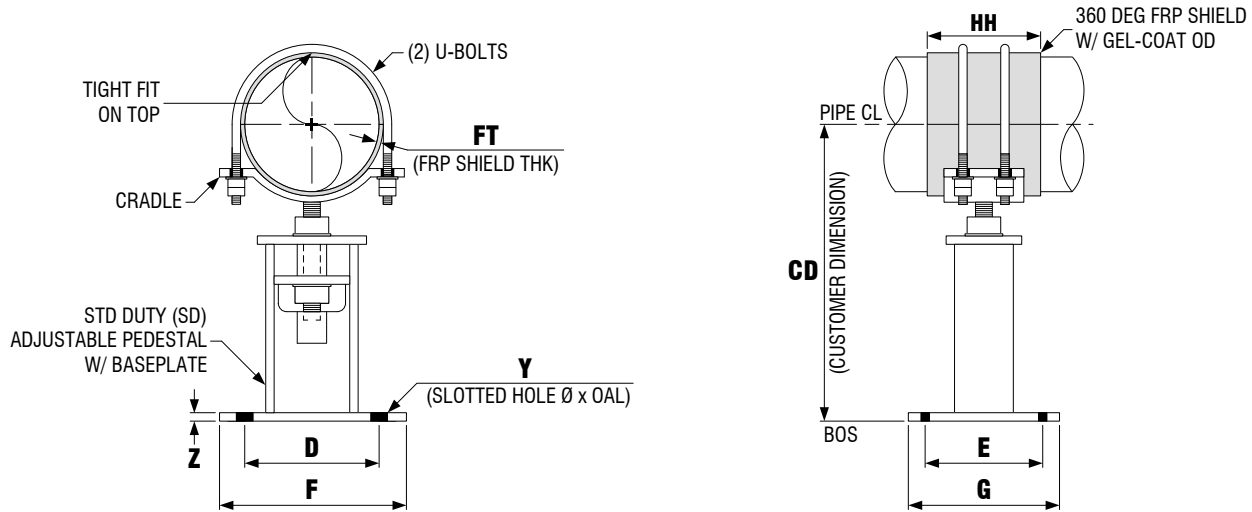
FIGURE # PIPE NPS "CD" DIM OPTIONS
 - - -

EXAMPLE: HPS-1026-20"-44.5"

OPTION CODES

- NH - BASEPLATE W/O HOLES
- NP - PEDESTAL W/O BASEPLATE
- CE - EXTRA COMPACT HEIGHT
- CH - COMPACT HEIGHT
- GF - HH NUT GREASE FITTINGS

FIGURE 1031 SD ADJUSTABLE PEDESTAL, CRADLE, U-BOLTS, FRP SHIELD



NPS	D	E	F	HH	G	Y	Z	MIN CD (STD)	MIN CD (CH)	MIN CD (CE)
2"	5"	3 1/2"	8"	1'-0"	6"	5/8" x 1 1/2"	1/2"	1'-3 7/8" +FT	1'-2 1/4" +FT	8 5/16" +FT
3"	5"	3 1/2"	8"	1'-0"	6"	5/8" x 1 1/2"	1/2"	1'-4 7/16" +FT	1'-2 13/16" +FT	8 7/8" +FT
4"	5"	3 1/2"	8"	1'-0"	6"	5/8" x 1 1/2"	1/2"	1'-4 15/16" +FT	1'-3 5/16" +FT	9 3/8" +FT
6"	7"	5 1/2"	10"	1'-0"	8"	5/8" x 1 1/2"	1/2"	1'-7 1/4" +FT	1'-5 5/8" +FT	11 7/8" +FT
8"	7"	5 1/2"	10"	1'-0"	8"	5/8" x 1 1/2"	1/2"	1'-8 1/4" +FT	1'-6 5/8" +FT	1'-0 7/8" +FT
10"	7"	5 1/2"	10"	1'-0"	8"	5/8" x 1 1/2"	1/2"	1'-9 5/16" +FT	1'-7 11/16" +FT	1'-1 15/16" +FT
12"	9"	7 1/2"	1'-0"	1'-0"	10"	3/4" x 1 1/2"	5/8"	1'-11 7/16" +FT	1'-9 13/16" +FT	1'-3 3/16" +FT
14"	9"	7 1/2"	1'-0"	1'-0"	10"	3/4" x 1 1/2"	5/8"	2'-0 1/16" +FT	1'-10 7/16" +FT	1'-3 13/16" +FT
16"	9"	7 1/2"	1'-0"	1'-0"	10"	3/4" x 1 1/2"	5/8"	2'-1 1/16" +FT	1'-11 7/16" +FT	1'-4 13/16" +FT
18"	9"	7 1/2"	1'-0"	1'-0"	10"	3/4" x 1 1/2"	5/8"	2'-2 1/16" +FT	2'-0 7/16" +FT	1'-5 13/16" +FT
20"	9"	7 1/2"	1'-0"	1'-0"	10"	7/8" x 1 1/2"	5/8"	2'-7 3/16" +FT	2'-5 5/16" +FT	1'-10 1/4" +FT
24"	9"	7 1/2"	1'-0"	1'-0"	10"	7/8" x 1 1/2"	5/8"	2'-9 3/16" +FT	2'-7 5/16" +FT	2'-0 1/4" +FT
30"	11"	9 1/2"	1'-2"	1'-3"	1'-0"	7/8" x 1 1/2"	3/4"	3'-0 5/16" +FT	2'-10 7/16" +FT	2'-3 1/2" +FT
36"	11"	9 1/2"	1'-2"	1'-6"	1'-0"	7/8" x 1 1/2"	3/4"	3'-3 5/16" +FT	3'-1 7/16" +FT	2'-6 1/2" +FT

HOW TO ORDER

FIGURE # PIPE NPS "CD" DIM "FT" THK OPTIONS
HPS-1031 - - - -

EXAMPLE: HPS-1031-20"-44.5"-0.25"

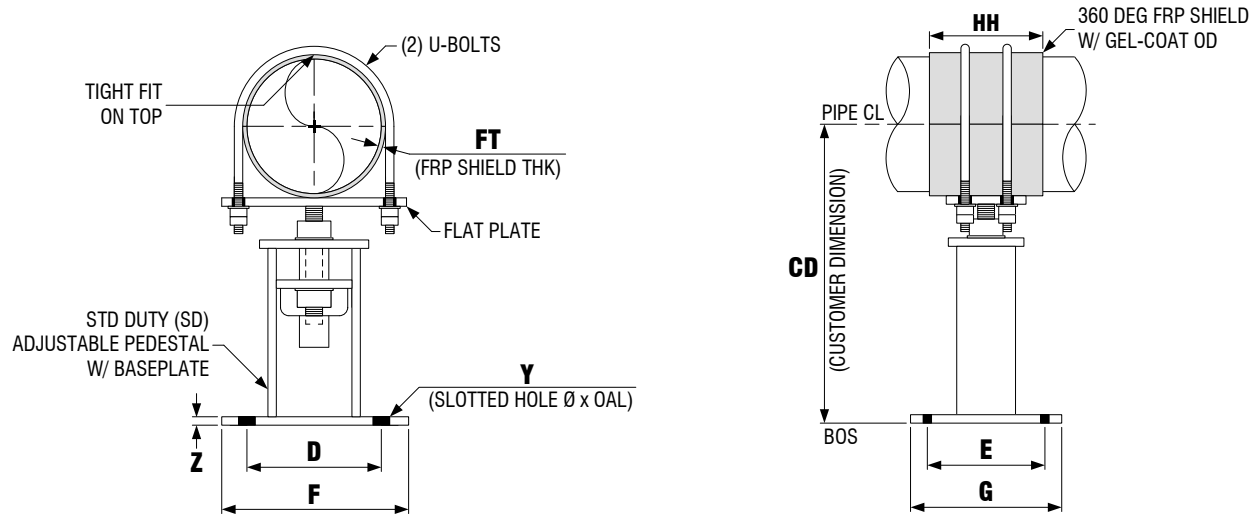
OPTION CODES

NH - BASEPLATE W/O HOLES
 NP - PEDESTAL W/O BASEPLATE
 NF - FRP/EPOXY BY CUSTOMER
 CE - EXTRA COMPACT HEIGHT
 CH - COMPACT HEIGHT
 GF - HH NUT GREASE FITTINGS

NOTES

1. FRP SHIELD FURNISHED PRE-ROUGHENED W/ EPOXY

**FIGURE 1032 SD ADJUSTABLE PEDESTAL,
U-BOLTS, FRP SHIELD**



NPS	D	E	F	G	HH	Y	Z	MIN CD (STD)	MIN CD (CH)	MIN CD (CE)
2"	5"	3 1/2"	8"	6"	1'-0"	5/8" x 1 1/2"	1/2"	1'-4" +FT	1'-2 3/8" +FT	8 7/16" +FT
3"	5"	3 1/2"	8"	6"	1'-0"	5/8" x 1 1/2"	1/2"	1'-4 9/16" +FT	1'-2 15/16" +FT	9" +FT
4"	5"	3 1/2"	8"	6"	1'-0"	5/8" x 1 1/2"	1/2"	1'-5 1/16" +FT	1'-3 7/16" +FT	9 1/2" +FT
6"	7"	5 1/2"	10"	8"	1'-0"	5/8" x 1 1/2"	1/2"	1'-7 3/8" +FT	1'-5 3/4" +FT	1'-0" +FT
8"	7"	5 1/2"	10"	8"	1'-0"	5/8" x 1 1/2"	1/2"	1'-8 3/8" +FT	1'-6 3/4" +FT	1'-1" +FT
10"	7"	5 1/2"	10"	8"	1'-0"	5/8" x 1 1/2"	1/2"	1'-9 7/16" +FT	1'-7 13/16" +FT	1'-2 1/16" +FT
12"	9"	7 1/2"	1'-0"	10"	1'-0"	3/4" x 1 1/2"	5/8"	1'-11 11/16" +FT	1'-10 1/16" +FT	1'-3 7/16" +FT
14"	9"	7 1/2"	1'-0"	10"	1'-0"	3/4" x 1 1/2"	5/8"	2'-0 5/16" +FT	1'-10 11/16" +FT	1'-4 1/16" +FT
16"	9"	7 1/2"	1'-0"	10"	1'-0"	3/4" x 1 1/2"	5/8"	2'-1 7/16" +FT	1'-11 13/16" +FT	1'-5 3/16" +FT
18"	9"	7 1/2"	1'-0"	10"	1'-0"	3/4" x 1 1/2"	5/8"	2'-2 7/16" +FT	2'-0 13/16" +FT	1'-6 3/16" +FT
20"	9"	7 1/2"	1'-0"	10"	1'-0"	7/8" x 1 1/2"	5/8"	2'-7 9/16" +FT	2'-5 11/16" +FT	1'-10 5/8" +FT
24"	9"	7 1/2"	1'-0"	10"	1'-0"	7/8" x 1 1/2"	5/8"	2'-9 9/16" +FT	2'-7 11/16" +FT	2'-0 5/8" +FT
30"	11"	9 1/2"	1'-2"	1'-0"	1'-3"	7/8" x 1 1/2"	3/4"	3'-0 11/16" +FT	2'-10 13/16" +FT	2'-3 7/8" +FT
36"	11"	9 1/2"	1'-2"	1'-0"	1'-6"	7/8" x 1 1/2"	3/4"	3'-3 13/16" +FT	3'-1 15/16" +FT	2'-7" +FT

HOW TO ORDER

FIGURE # PIPE NPS "CD" DIM "FT" THK OPTIONS
HPS-1032 - - - -

EXAMPLE: HPS-1032-20"-44.5"-0.25"

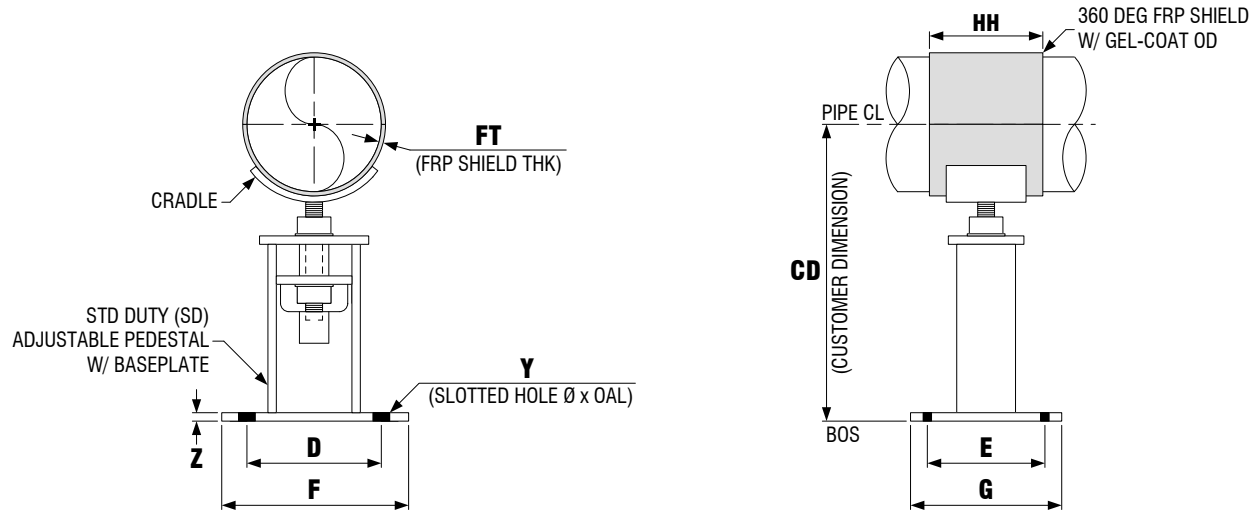
OPTION CODES

NH - BASEPLATE W/O HOLES
 NP - PEDESTAL W/O BASEPLATE
 NF - FRP/EPOXY BY CUSTOMER
 CE - EXTRA COMPACT HEIGHT
 CH - COMPACT HEIGHT
 GF - HH NUT GREASE FITTINGS

NOTES

1. FRP SHIELD FURNISHED PRE-ROUGHENED W/ EPOXY

FIGURE 1035 SD ADJUSTABLE PEDESTAL, CRADLE, FRP SHIELD



NPS	D	E	F	G	HH	Y	Z	MIN CD (STD)	MIN CD (CH)	MIN CD (CE)
2"	5"	3 1/2"	8"	6"	1'-0"	5/8" x 1 1/2"	1/2"	1'-3 7/8" +FT	1'-2 1/4" +FT	8 5/16" +FT
3"	5"	3 1/2"	8"	6"	1'-0"	5/8" x 1 1/2"	1/2"	1'-4 7/16" +FT	1'-2 13/16" +FT	8 7/8" +FT
4"	5"	3 1/2"	8"	6"	1'-0"	5/8" x 1 1/2"	1/2"	1'-4 15/16" +FT	1'-3 5/16" +FT	9 3/8" +FT
6"	7"	5 1/2"	10"	8"	1'-0"	5/8" x 1 1/2"	1/2"	1'-7 1/4" +FT	1'-5 5/8" +FT	11 7/8" +FT
8"	7"	5 1/2"	10"	8"	1'-0"	5/8" x 1 1/2"	1/2"	1'-8 1/4" +FT	1'-6 5/8" +FT	1'-0 7/8" +FT
10"	7"	5 1/2"	10"	8"	1'-0"	5/8" x 1 1/2"	1/2"	1'-9 5/16" +FT	1'-7 11/16" +FT	1'-1 15/16" +FT
12"	9"	7 1/2"	1'-0"	10"	1'-0"	3/4" x 1 1/2"	5/8"	1'-11 7/16" +FT	1'-9 13/16" +FT	1'-3 3/16" +FT
14"	9"	7 1/2"	1'-0"	10"	1'-0"	3/4" x 1 1/2"	5/8"	2'-0 1/16" +FT	1'-10 7/16" +FT	1'-3 13/16" +FT
16"	9"	7 1/2"	1'-0"	10"	1'-0"	3/4" x 1 1/2"	5/8"	2'-1 1/16" +FT	1'-11 7/16" +FT	1'-4 13/16" +FT
18"	9"	7 1/2"	1'-0"	10"	1'-0"	3/4" x 1 1/2"	5/8"	2'-2 1/16" +FT	2'-0 7/16" +FT	1'-5 13/16" +FT
20"	9"	7 1/2"	1'-0"	10"	1'-0"	7/8" x 1 1/2"	5/8"	2'-7 3/16" +FT	2'-5 5/16" +FT	1'-10 1/4" +FT
24"	9"	7 1/2"	1'-0"	10"	1'-0"	7/8" x 1 1/2"	5/8"	2'-9 3/16" +FT	2'-7 5/16" +FT	2'-0 1/4" +FT
30"	11"	9 1/2"	1'-2"	1'-0"	1'-3"	7/8" x 1 1/2"	3/4"	3'-0 5/16" +FT	2'-10 7/16" +FT	2'-3 1/2" +FT
36"	11"	9 1/2"	1'-2"	1'-0"	1'-6"	7/8" x 1 1/2"	3/4"	3'-3 5/16" +FT	3'-1 7/16" +FT	2'-6 1/2" +FT

HOW TO ORDER

FIGURE # PIPE NPS "CD" DIM "FT" THK OPTIONS
 - - - -

EXAMPLE: HPS-1035-20"-44.5"-0.25"

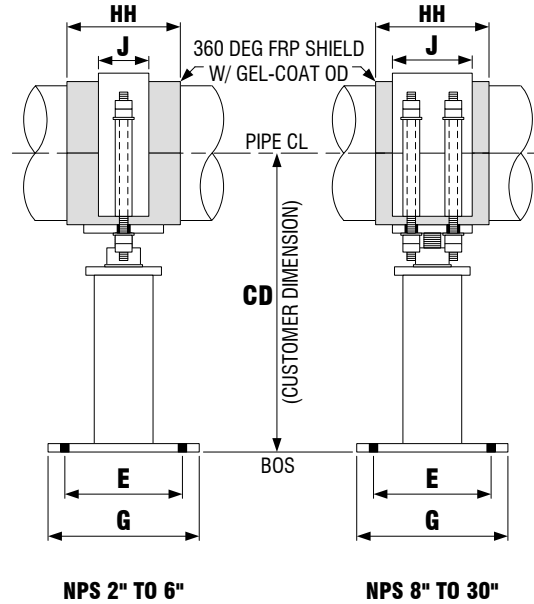
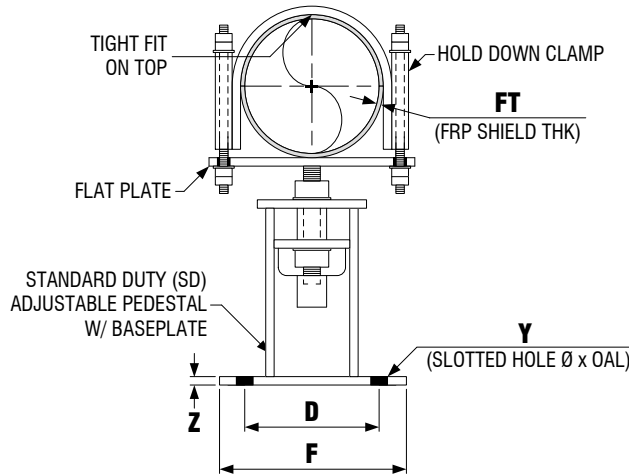
OPTION CODES

NH - BASEPLATE W/O HOLES
 NP - PEDESTAL W/O BASEPLATE
 NF - FRP/EPOXY BY CUSTOMER
 CE - EXTRA COMPACT HEIGHT
 CH - COMPACT HEIGHT
 GF - HH NUT GREASE FITTINGS

NOTES

1. FRP SHIELD FURNISHED PRE-ROUGHENED W/ EPOXY

FIGURE 1036 SD ADJUSTABLE PEDESTAL, HOLD-DOWN CLAMP, FRP SHIELD



NPS	D	E	F	G	HH	J	Y	Z	MIN CD (STD)	MIN CD (CH)	MIN CD (CE)
2"	5"	3 1/2"	8"	6"	1'-0"	2"	5/8" x 1 1/2"	1/2"	1'-4" +FT	1'-2 3/8" +FT	8 7/16" +FT
3"	5"	3 1/2"	8"	6"	1'-0"	2"	5/8" x 1 1/2"	1/2"	1'-4 9/16" +FT	1'-2 15/16" +FT	9" +FT
4"	5"	3 1/2"	8"	6"	1'-0"	2"	5/8" x 1 1/2"	1/2"	1'-5 1/16" +FT	1'-3 7/16" +FT	9 1/2" +FT
6"	7"	5 1/2"	10"	8"	1'-0"	3"	5/8" x 1 1/2"	1/2"	1'-7 3/8" +FT	1'-5 3/4" +FT	1'-0" +FT
8"	7"	5 1/2"	10"	8"	1'-0"	8"	5/8" x 1 1/2"	1/2"	1'-8 3/8" +FT	1'-6 3/4" +FT	1'-1" +FT
10"	7"	5 1/2"	10"	8"	1'-0"	8"	5/8" x 1 1/2"	1/2"	1'-9 7/16" +FT	1'-7 13/16" +FT	1'-2 1/16" +FT
12"	9"	7 1/2"	1'-0"	10"	1'-0"	8"	3/4" x 1 1/2"	5/8"	1'-11 11/16" +FT	1'-10 1/16" +FT	1'-3 7/16" +FT
14"	9"	7 1/2"	1'-0"	10"	1'-0"	8"	3/4" x 1 1/2"	5/8"	2'-0 5/16" +FT	1'-10 11/16" +FT	1'-4 1/16" +FT
16"	9"	7 1/2"	1'-0"	10"	1'-0"	8"	3/4" x 1 1/2"	5/8"	2'-1 7/16" +FT	1'-11 13/16" +FT	1'-5 3/16" +FT
18"	9"	7 1/2"	1'-0"	10"	1'-0"	8"	3/4" x 1 1/2"	5/8"	2'-2 7/16" +FT	2'-0 13/16" +FT	1'-6 3/16" +FT
20"	9"	7 1/2"	1'-0"	10"	1'-0"	8"	7/8" x 1 1/2"	5/8"	2'-7 9/16" +FT	2'-5 11/16" +FT	1'-10 5/8" +FT
24"	9"	7 1/2"	1'-0"	10"	1'-0"	8"	7/8" x 1 1/2"	5/8"	2'-9 9/16" +FT	2'-7 11/16" +FT	2'-0 5/8" +FT
30"	11"	9 1/2"	1'-2"	1'-0"	1'-3"	8"	7/8" x 1 1/2"	3/4"	3'-0 11/16" +FT	2'-10 13/16" +FT	2'-3 7/8" +FT

HOW TO ORDER

FIGURE # PIPE NPS "CD" DIM "FT" THK OPTIONS
 - - - -

EXAMPLE: HPS-1036-20"-44.5"-0.25"

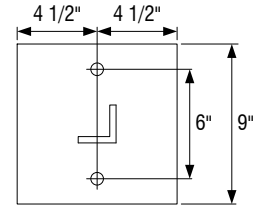
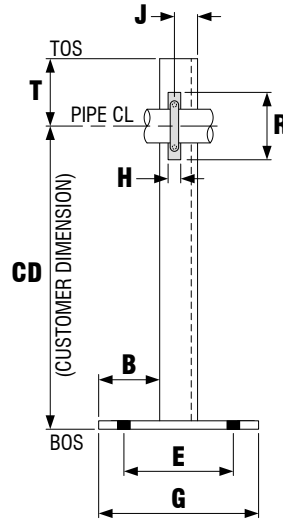
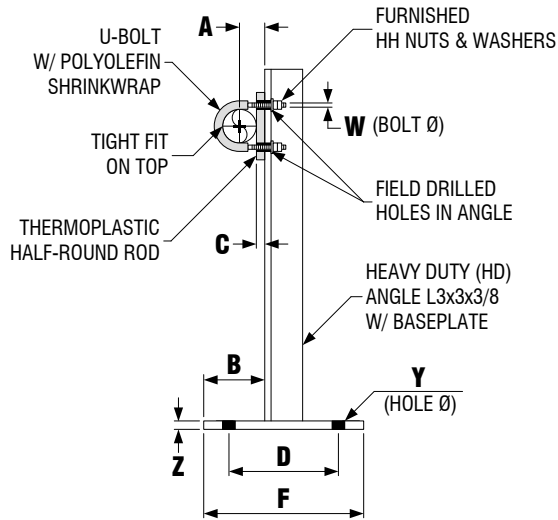
OPTION CODES

- NH - BASEPLATE W/O HOLES
- NP - PEDESTAL W/O BASEPLATE
- NF - FRP/EPOXY BY CUSTOMER
- CE - EXTRA COMPACT HEIGHT
- CH - COMPACT HEIGHT
- GF - HH NUT GREASE FITTINGS

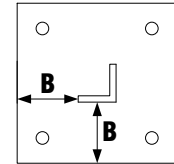
NOTES

1. FRP SHIELD FURNISHED PRE-ROUGHENED W/ EPOXY

FIGURE 1501 HD ANGLE BASE, HALF-ROUND ROD, U-BOLT



ALT BP OPTION



STANDARD BP

NPS	A	B	C	D	E	F	G	H	J	R	T	W	Y	Z
1/2"	3/4"	3"	5/16"	6"	6"	9"	9"	3/4"	1 3/4"	2 1/2"	4"	1/4"	3/4"	1/2"
3/4"	13/16"	3"	5/16"	6"	6"	9"	9"	3/4"	1 3/4"	3"	4"	1/4"	3/4"	1/2"
1"	1"	3"	5/16"	6"	6"	9"	9"	3/4"	1 3/4"	3"	4"	1/4"	3/4"	1/2"
1 1/2"	1 3/8"	3"	7/16"	6"	6"	9"	9"	1"	1 3/4"	4"	5"	3/8"	3/4"	1/2"
2"	1 5/8"	3"	7/16"	6"	6"	9"	9"	1"	1 3/4"	4 1/2"	5"	3/8"	3/4"	1/2"

HOW TO ORDER

FIGURE # PIPE NPS "CD" DIM OPTIONS

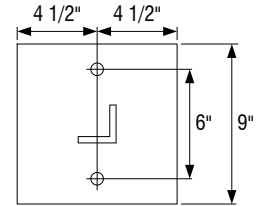
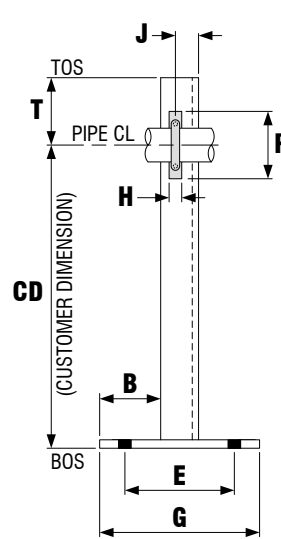
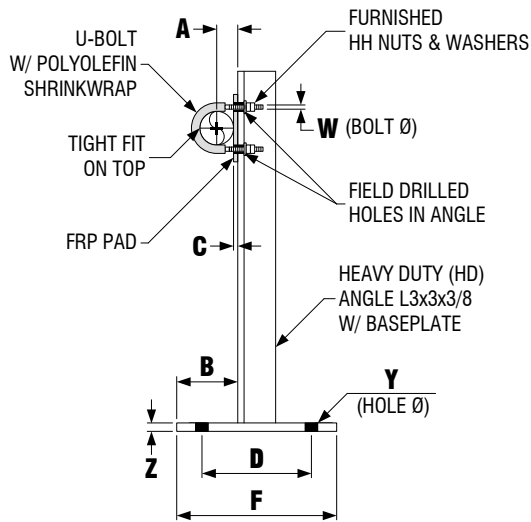
HPS-1501 - - -

OPTION CODES

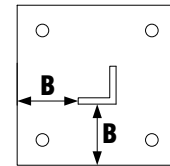
AL - ALTERNATE BASEPLATE

EXAMPLE: HPS-1501-2"-26.5"

FIGURE 1502 HD ANGLE BASE, FRP PAD, U-BOLT



ALT BP OPTION



STANDARD BP

NPS	A	B	C	D	E	F	G	H	J	R	T	W	Y	Z
1/2"	9/16"	3"	1/8"	6"	6"	9"	9"	1"	1 3/4"	2 3/4"	4"	1/4"	3/4"	1/2"
3/4"	5/8"	3"	1/8"	6"	6"	9"	9"	1"	1 3/4"	2 3/4"	4"	1/4"	3/4"	1/2"
1"	13/16"	3"	1/8"	6"	6"	9"	9"	1"	1 3/4"	2 3/4"	4"	1/4"	3/4"	1/2"
1 1/2"	1 1/16"	3"	1/8"	6"	6"	9"	9"	1 1/4"	1 3/4"	4 1/4"	5"	3/8"	3/4"	1/2"
2"	1 5/16"	3"	1/8"	6"	6"	9"	9"	1 1/4"	1 3/4"	4 1/4"	5"	3/8"	3/4"	1/2"

HOW TO ORDER

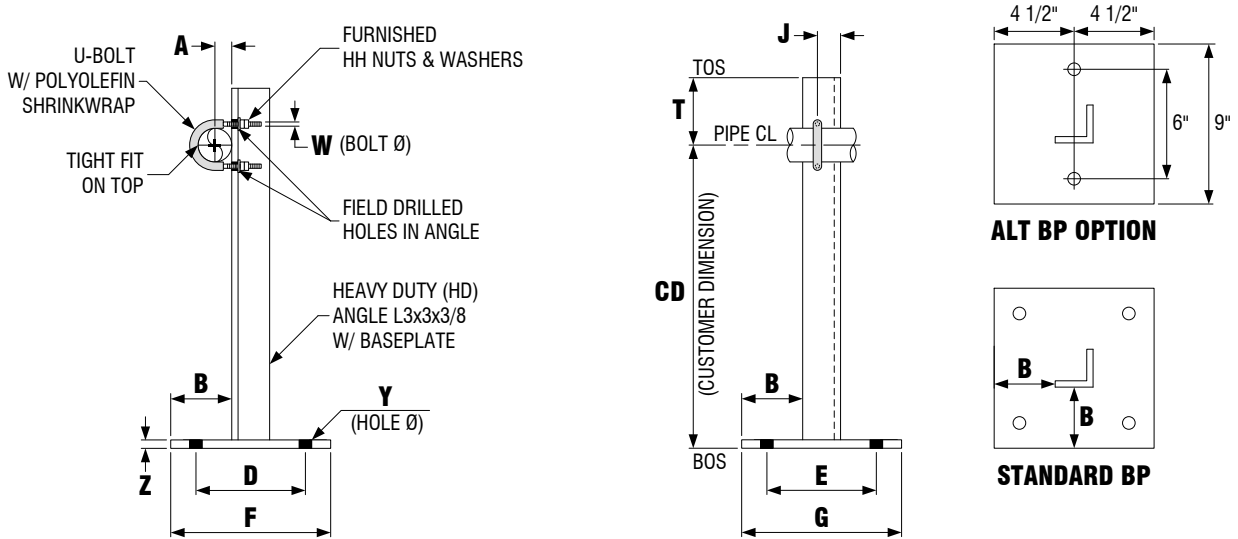
FIGURE # PIPE NPS "CD" DIM OPTIONS
 - - -

OPTION CODES

AL - ALTERNATE BASEPLATE

EXAMPLE: HPS-1502-2"-26.5"

FIGURE 1503 HD ANGLE BASE, U-BOLT



NPS	A	B	D	E	F	G	J	T	W	Y	Z
1/2"	7/16"	3"	6"	6"	9"	9"	1 3/4"	4"	1/4"	3/4"	1/2"
3/4"	1/2"	3"	6"	6"	9"	9"	1 3/4"	4"	1/4"	3/4"	1/2"
1"	11/16"	3"	6"	6"	9"	9"	1 3/4"	4"	1/4"	3/4"	1/2"
1 1/2"	15/16"	3"	6"	6"	9"	9"	1 3/4"	5"	3/8"	3/4"	1/2"
2"	1 3/16"	3"	6"	6"	9"	9"	1 3/4"	5"	3/8"	3/4"	1/2"

HOW TO ORDER

FIGURE # PIPE NPS "CD" DIM OPTIONS

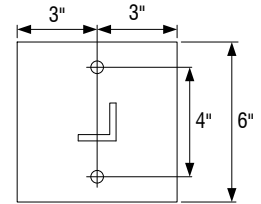
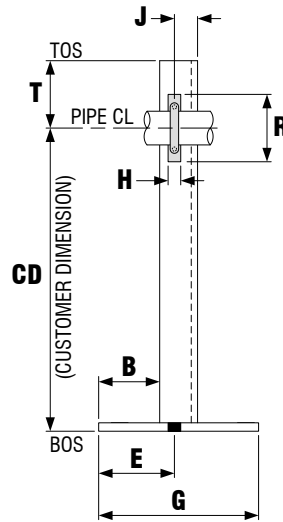
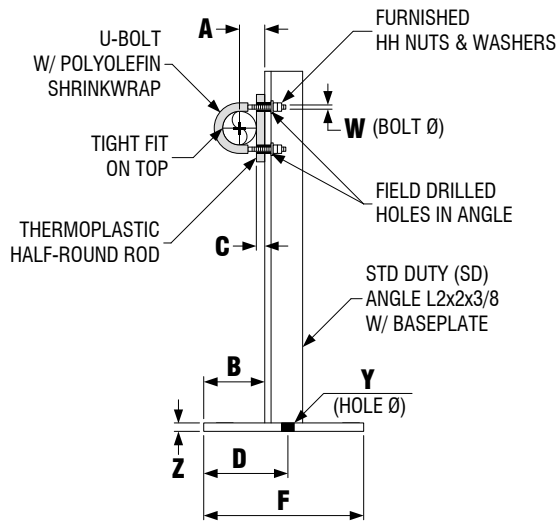
HPS-1503 - - -

OPTION CODES

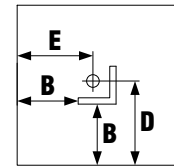
AL - ALTERNATE BASEPLATE

EXAMPLE: HPS-1503-2"-26.5"

FIGURE 1521 SD ANGLE BASE, HALF-ROUND ROD, U-BOLT



ALT BP OPTION



STANDARD BP

NPS	A	B	C	D	E	F	G	H	J	R	T	W	Y	Z
1/2"	3/4"	2"	5/16"	3 1/4"	2 3/4"	6"	6"	3/4"	1 1/8"	2 1/2"	4"	1/4"	3/4"	3/8"
3/4"	13/16"	2"	5/16"	3 1/4"	2 3/4"	6"	6"	3/4"	1 1/8"	3"	4"	1/4"	3/4"	3/8"
1"	1"	2"	5/16"	3 1/4"	2 3/4"	6"	6"	3/4"	1 1/8"	3"	4"	1/4"	3/4"	3/8"
1 1/2"	1 3/8"	2"	7/16"	3 1/4"	2 3/4"	6"	6"	1"	1 1/8"	4"	5"	3/8"	3/4"	3/8"
2"	1 5/8"	2"	7/16"	3 1/4"	2 3/4"	6"	6"	1"	1 1/8"	4 1/2"	5"	3/8"	3/4"	3/8"

HOW TO ORDER

FIGURE # PIPE NPS "CD" DIM OPTIONS

- - -

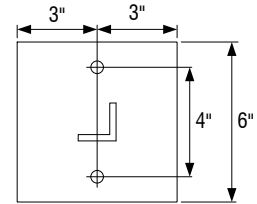
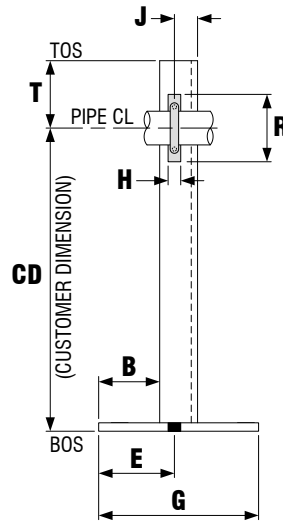
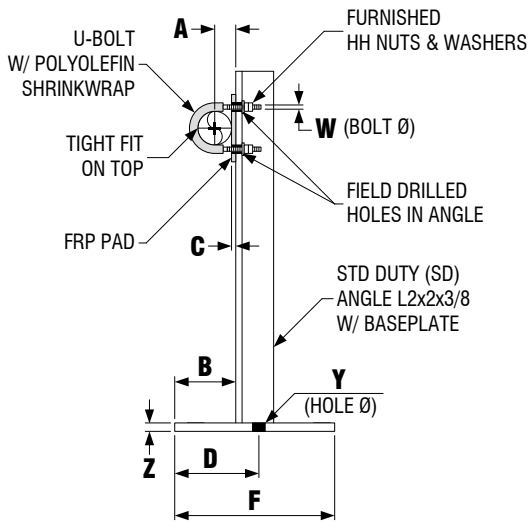
OPTION CODES

AL - ALTERNATE BASEPLATE

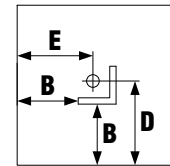
EXAMPLE: HPS-1521-2"-26.5"

FIGURE 1522

**SD ANGLE BASE,
FRP PAD, U-BOLT**



ALT BP OPTION



STANDARD BP

NPS	A	B	C	D	E	F	G	H	J	R	T	W	Y	Z
1/2"	9/16"	2"	1/8"	3 1/4"	2 3/4"	6"	6"	1"	1 1/8"	2 3/4"	4"	1/4"	3/4"	3/8"
3/4"	5/8"	2"	1/8"	3 1/4"	2 3/4"	6"	6"	1"	1 1/8"	2 3/4"	4"	1/4"	3/4"	3/8"
1"	13/16"	2"	1/8"	3 1/4"	2 3/4"	6"	6"	1"	1 1/8"	2 3/4"	4"	1/4"	3/4"	3/8"
1 1/2"	1 1/16"	2"	1/8"	3 1/4"	2 3/4"	6"	6"	1 1/4"	1 1/8"	4 1/4"	5"	3/8"	3/4"	3/8"
2"	1 5/16"	2"	1/8"	3 1/4"	2 3/4"	6"	6"	1 1/4"	1 1/8"	4 1/4"	5"	3/8"	3/4"	3/8"

HOW TO ORDER

FIGURE # PIPE NPS "CD" DIM OPTIONS

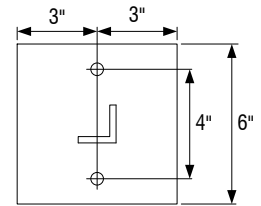
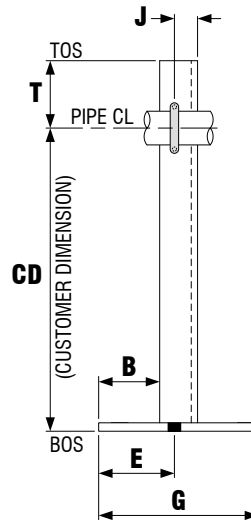
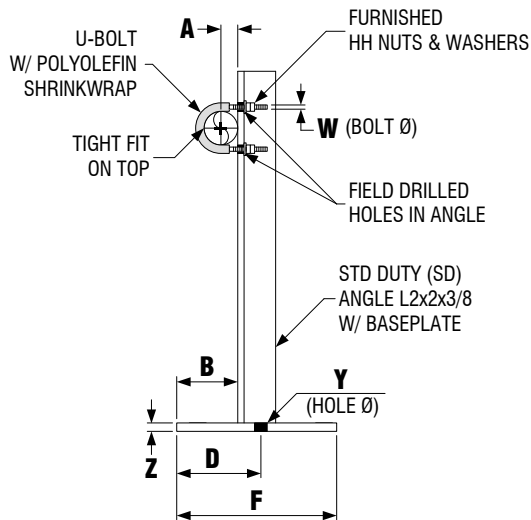
HPS-1522 - - -

OPTION CODES

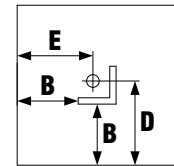
AL - ALTERNATE BASEPLATE

EXAMPLE: HPS-1522-2"-26.5"

FIGURE 1523 SD ANGLE BASE, U-BOLT



ALT BP OPTION



STANDARD BP

NPS	A	B	D	E	F	G	J	T	W	Y	Z
1/2"	7/16"	2"	3 1/4"	2 3/4"	6"	6"	1 1/8"	4"	1/4"	3/4"	3/8"
3/4"	1/2"	2"	3 1/4"	2 3/4"	6"	6"	1 1/8"	4"	1/4"	3/4"	3/8"
1"	11/16"	2"	3 1/4"	2 3/4"	6"	6"	1 1/8"	4"	1/4"	3/4"	3/8"
1 1/2"	15/16"	2"	3 1/4"	2 3/4"	6"	6"	1 1/8"	5"	3/8"	3/4"	3/8"
2"	1 3/16"	2"	3 1/4"	2 3/4"	6"	6"	1 1/8"	5"	3/8"	3/4"	3/8"

HOW TO ORDER

FIGURE # PIPE NPS "CD" DIM OPTIONS

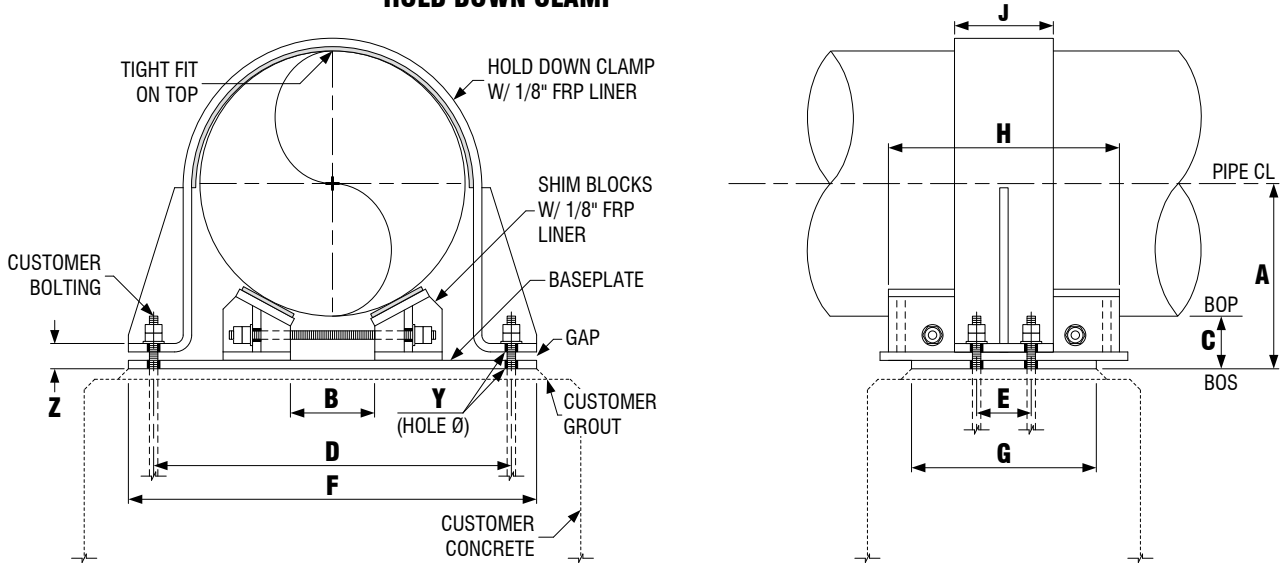
HPS-1523 - - -

OPTION CODES

AL - ALTERNATE BASEPLATE

EXAMPLE: HPS-1523-2"-26.5"

FIGURE 2001 SHIM BLOCKS, BASEPLATE, HOLD DOWN CLAMP



NPS	A	B	C	D	E	F	G	H	J	Y	Z
2"	4 11/16"	1/8"	3 1/2"	8 5/8"	3 1/2"	11 5/8"	10"	10"	6"	7/8"	1 1/8"
3"	5 3/8"	1/4"	3 5/8"	10"	3 1/2"	1'-1"	10"	10"	6"	7/8"	1 1/8"
4"	5 13/16"	3/4"	3 9/16"	10"	3 1/2"	1'-1"	10"	10"	6"	7/8"	1 1/8"
6"	7 5/8"	13/16"	4 5/16"	1'-0"	3 1/2"	1'-3"	10"	1'-1"	6"	7/8"	1 1/4"
8"	8 1/2"	1 13/16"	4 3/16"	1'-2"	3 1/2"	1'-5"	10"	1'-1"	6"	1 1/8"	1 3/8"
10"	9 1/2"	2 11/16"	4 1/8"	1'-4"	3 1/2"	1'-7"	10"	1'-1"	6"	1 1/4"	1 3/8"
12"	10 9/16"	2 7/8"	4 3/16"	1'-6"	3 1/2"	1'-10"	10"	1'-1"	6"	1 1/4"	1 3/8"
14"	11 3/16"	3 1/4"	4 3/16"	1'-10"	3 1/2"	2'-2"	10"	1'-1"	6"	1 1/4"	1 3/8"
16"	1'-0"	4 7/16"	4"	2'-0"	3 1/2"	2'-4"	10"	1'-1"	8"	1 1/4"	1 3/8"
18"	1'-0 7/8"	5 3/8"	3 7/8"	2'-2"	3 1/2"	2'-6"	10"	1'-1"	8"	1 1/4"	1 3/8"
20"	1'-2 15/16"	3 9/16"	4 15/16"	2'-4"	4"	2'-8"	1'-2"	1'-5"	8"	1 1/4"	1 1/2"
24"	1'-4 9/16"	5 7/8"	4 9/16"	2'-8"	4"	3'-0"	1'-2"	1'-5"	8"	1 1/4"	1 1/2"
30"	1'-8 7/16"	5 7/16"	5 7/16"	3'-2"	7"	3'-7"	1'-4"	1'-7"	11"	1 1/2"	1 1/2"
36"	1'-11 3/16"	8 5/16"	5 3/16"	3'-8"	7"	4'-1"	1'-4"	1'-7"	11"	1 1/2"	1 5/8"
42"	2'-3"	9 5/8"	6"	4'-2"	7"	4'-8"	1'-6"	1'-9"	1'-0"	1 3/4"	1 3/4"
48"	2'-5 5/8"	1'-0 1/2"	5 5/8"	4'-8"	7"	5'-2"	1'-6"	1'-9"	1'-0"	1 3/4"	1 3/4"
54"	2'-8 1/4"	1'-3 1/2"	5 1/4"	5'-4"	NOTE 1	6'-0"	1'-6"	1'-9"	1'-4"	1 3/4"	1 3/4"

HOW TO ORDER

FIGURE # PIPE NPS OPTIONS
 - -

EXAMPLE: HPS-2001-20"

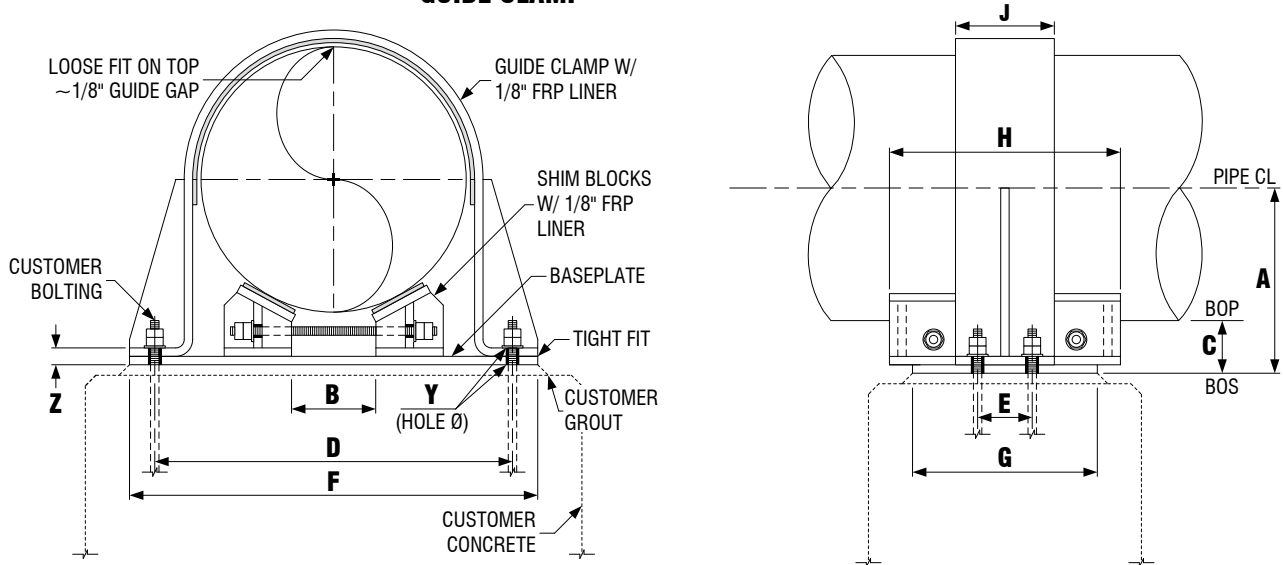
OPTION CODES

AX - SHIM AXIAL STOPS

NOTES

1. (3) AB HOLES W/ 5" C-C's

FIGURE 2002 SHIM BLOCKS, BASEPLATE GUIDE CLAMP



NPS	A	B	C	D	E	F	G	H	J	Y	Z
2"	4 11/16"	1/8"	3 1/2"	8 5/8"	3 1/2"	11 5/8"	10"	10"	6"	7/8"	5/8"
3"	5 3/8"	1/4"	3 5/8"	10"	3 1/2"	1'-1"	10"	10"	6"	7/8"	5/8"
4"	5 13/16"	3/4"	3 9/16"	10"	3 1/2"	1'-1"	10"	10"	6"	7/8"	5/8"
6"	7 5/8"	13/16"	4 5/16"	1'-0"	3 1/2"	1'-3"	10"	1'-1"	6"	7/8"	3/4"
8"	8 1/2"	1 13/16"	4 3/16"	1'-2"	3 1/2"	1'-5"	10"	1'-1"	6"	1 1/8"	7/8"
10"	9 1/2"	2 11/16"	4 1/8"	1'-4"	3 1/2"	1'-7"	10"	1'-1"	6"	1 1/4"	7/8"
12"	10 9/16"	2 7/8"	4 3/16"	1'-6"	3 1/2"	1'-10"	10"	1'-1"	6"	1 1/4"	7/8"
14"	11 3/16"	3 1/4"	4 3/16"	1'-10"	3 1/2"	2'-2"	10"	1'-1"	6"	1 1/4"	7/8"
16"	1'-0"	4 7/16"	4"	2'-0"	3 1/2"	2'-4"	10"	1'-1"	8"	1 1/4"	7/8"
18"	1'-0 7/8"	5 3/8"	3 7/8"	2'-2"	3 1/2"	2'-6"	10"	1'-1"	8"	1 1/4"	7/8"
20"	1'-2 15/16"	3 9/16"	4 15/16"	2'-4"	4"	2'-8"	1'-2"	1'-5"	8"	1 1/4"	1"
24"	1'-4 9/16"	5 7/8"	4 9/16"	2'-8"	4"	3'-0"	1'-2"	1'-5"	8"	1 1/4"	1"
30"	1'-8 7/16"	5 7/16"	5 7/16"	3'-2"	7"	3'-7"	1'-4"	1'-7"	11"	1 1/2"	1"
36"	1'-11 3/16"	8 5/16"	5 3/16"	3'-8"	7"	4'-1"	1'-4"	1'-7"	11"	1 1/2"	1 1/8"
42"	2'-3"	9 5/8"	6"	4'-2"	7"	4'-8"	1'-6"	1'-9"	1'-0"	1 3/4"	1 1/4"
48"	2'-5 5/8"	1'-0 1/2"	5 5/8"	4'-8"	7"	5'-2"	1'-6"	1'-9"	1'-0"	1 3/4"	1 1/4"
54"	2'-8 1/4"	1'-3 1/2"	5 1/4"	5'-4"	NOTE 1	6'-0"	1'-6"	1'-9"	1'-4"	1 3/4"	1 1/4"

HOW TO ORDER

FIGURE # PIPE NPS OPTIONS

HPS-2002 - -

EXAMPLE: HPS-2002-20"

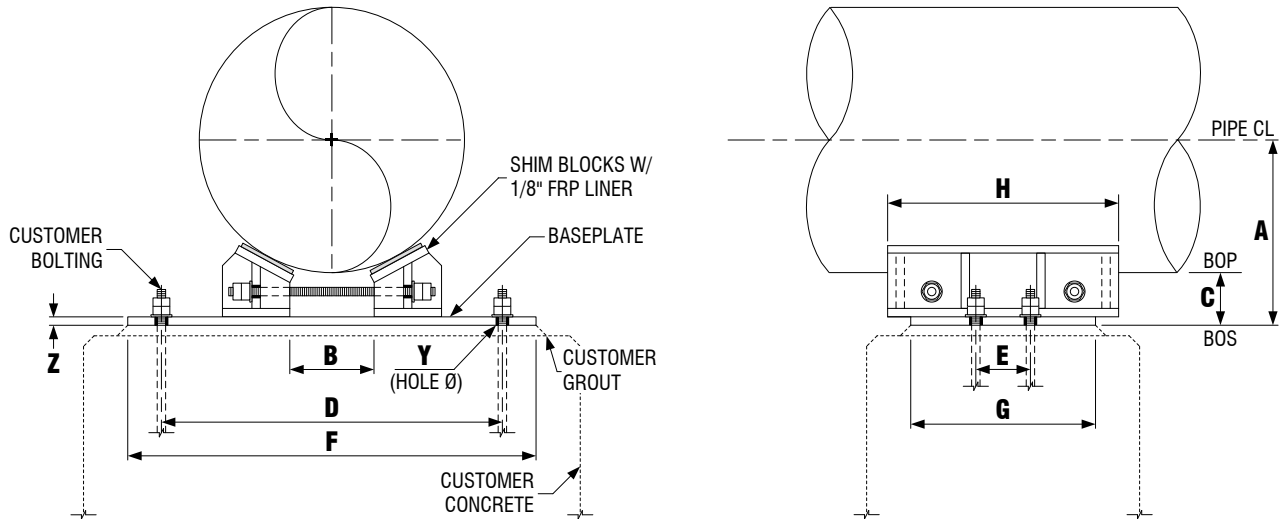
OPTION CODES

AX - SHIM AXIAL STOPS
GE - 1/2" GUIDE GAP

NOTES

1. (3) AB HOLES W/ 5" C-C's

FIGURE 2003 SHIM BLOCKS, BASEPLATE



NPS	A	B	C	D	E	F	G	H	Y	Z
2"	4 11/16"	1/8"	3 1/2"	8 5/8"	3 1/2"	11 5/8"	10"	10"	7/8"	3/8"
3"	5 3/8"	1/4"	3 5/8"	10"	3 1/2"	1'-1"	10"	10"	7/8"	3/8"
4"	5 13/16"	3/4"	3 9/16"	10"	3 1/2"	1'-1"	10"	10"	7/8"	3/8"
6"	7 5/8"	13/16"	4 5/16"	1'-0"	3 1/2"	1'-3"	10"	1'-1"	7/8"	3/8"
8"	8 1/2"	1 13/16"	4 3/16"	1'-2"	3 1/2"	1'-5"	10"	1'-1"	1 1/8"	3/8"
10"	9 1/2"	2 11/16"	4 1/8"	1'-4"	3 1/2"	1'-7"	10"	1'-1"	1 1/4"	3/8"
12"	10 9/16"	2 7/8"	4 3/16"	1'-6"	3 1/2"	1'-10"	10"	1'-1"	1 1/4"	3/8"
14"	11 3/16"	3 1/4"	4 3/16"	1'-10"	3 1/2"	2'-2"	10"	1'-1"	1 1/4"	3/8"
16"	1'-0"	4 7/16"	4"	2'-0"	3 1/2"	2'-4"	10"	1'-1"	1 1/4"	3/8"
18"	1'-0 7/8"	5 3/8"	3 7/8"	2'-2"	3 1/2"	2'-6"	10"	1'-1"	1 1/4"	3/8"
20"	1'-2 15/16"	3 9/16"	4 15/16"	2'-4"	4"	2'-8"	1'-2"	1'-5"	1 1/4"	3/8"
24"	1'-4 9/16"	5 7/8"	4 9/16"	2'-8"	4"	3'-0"	1'-2"	1'-5"	1 1/4"	3/8"
30"	1'-8 7/16"	5 7/16"	5 7/16"	3'-2"	7"	3'-7"	1'-4"	1'-7"	1 1/2"	3/8"
36"	1'-11 3/16"	8 5/16"	5 3/16"	3'-8"	7"	4'-1"	1'-4"	1'-7"	1 1/2"	1/2"
42"	2'-3"	9 5/8"	6"	4'-2"	7"	4'-8"	1'-6"	1'-9"	1 3/4"	1/2"
48"	2'-5 5/8"	1'-0 1/2"	5 5/8"	4'-8"	7"	5'-2"	1'-6"	1'-9"	1 3/4"	1/2"
54"	2'-8 1/4"	1'-3 1/2"	5 1/4"	5'-4"	NOTE 1	6'-0"	1'-6"	1'-9"	1 3/4"	1/2"

HOW TO ORDER

FIGURE # PIPE NPS OPTIONS
 - -

EXAMPLE: HPS-2003-20"

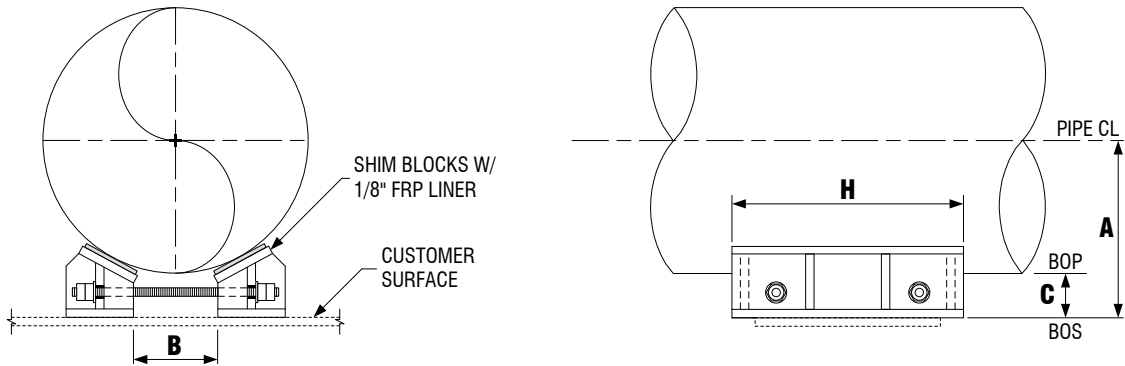
OPTION CODES

AX - SHIM AXIAL STOPS

NOTES

1. (3) AB HOLES W/ 5" C-C's

FIGURE 2004 SHIM BLOCKS



NPS	A	B	C	H
2"	4 5/16"	1/8"	3 1/8"	10"
3"	5"	1/4"	3 1/4"	10"
4"	5 7/16"	3/4"	3 3/16"	10"
6"	7 1/4"	13/16"	3 15/16"	1'-1"
8"	8 1/8"	1 13/16"	3 13/16"	1'-1"
10"	9 1/8"	2 11/16"	3 3/4"	1'-1"
12"	10 3/16"	2 7/8"	3 13/16"	1'-1"
14"	10 13/16"	3 1/4"	3 13/16"	1'-1"
16"	11 5/8"	4 7/16"	3 5/8"	1'-1"
18"	1'-0 1/2"	5 3/8"	3 1/2"	1'-1"
20"	1'-2 9/16"	3 9/16"	4 9/16"	1'-5"
24"	1'-4 3/16"	5 7/8"	4 3/16"	1'-5"
30"	1'-8 1/16"	5 7/16"	5 1/16"	1'-7"
36"	1'-10 11/16"	8 5/16"	4 11/16"	1'-7"
42"	2'-2 1/2"	9 5/8"	5 1/2"	1'-9"
48"	2'-5 1/8"	1'-0 1/2"	5 1/8"	1'-9"
54"	2'-7 3/4"	1'-3 1/2"	4 3/4"	1'-9"

HOW TO ORDER

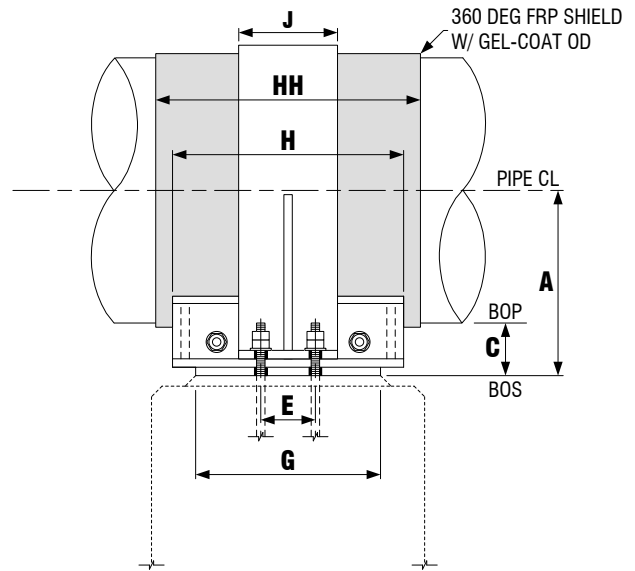
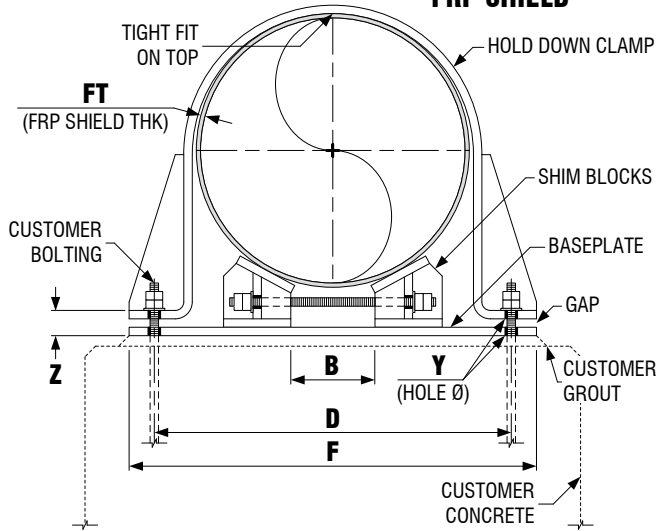
FIGURE # PIPE NPS OPTIONS
 - -

OPTION CODES

AX - SHIM AXIAL STOPS

EXAMPLE: HPS-2004-20"

FIGURE 2011 SHIM BLOCKS, BASEPLATE, HOLD DOWN CLAMP, FRP SHIELD



NPS	A	B	C	D	E	F	G	H	HH	J	Y	Z
2"	4 9/16" +FT	1/8"	3 3/8" +FT	8 5/8"	3 1/2"	11 5/8"	10"	10"	1'-0"	6"	7/8"	1 1/8"
3"	5 1/4" +FT	1/4"	3 1/2" +FT	10"	3 1/2"	1'-1"	10"	10"	1'-0"	6"	7/8"	1 1/8"
4"	5 11/16" +FT	3/4"	3 7/16" +FT	10"	3 1/2"	1'-1"	10"	10"	1'-0"	6"	7/8"	1 1/8"
6"	7 1/2" +FT	13/16"	4 3/16" +FT	1'-0"	3 1/2"	1'-3"	10"	1'-1"	1'-4"	6"	7/8"	1 1/4"
8"	8 3/8" +FT	1 13/16"	4 1/16" +FT	1'-2"	3 1/2"	1'-5"	10"	1'-1"	1'-4"	6"	1 1/8"	1 3/8"
10"	9 3/8" +FT	2 11/16"	4" +FT	1'-4"	3 1/2"	1'-7"	10"	1'-1"	1'-4"	6"	1 1/4"	1 3/8"
12"	10 7/16" +FT	2 7/8"	4 1/16" +FT	1'-6"	3 1/2"	1'-10"	10"	1'-1"	1'-4"	6"	1 1/4"	1 3/8"
14"	11 1/16" +FT	3 1/4"	4 1/16" +FT	1'-10"	3 1/2"	2'-2"	10"	1'-1"	1'-4"	6"	1 1/4"	1 3/8"
16"	11 7/8" +FT	4 7/16"	3 7/8" +FT	2'-0"	3 1/2"	2'-4"	10"	1'-1"	1'-4"	8"	1 1/4"	1 3/8"
18"	1'-0 3/4" +FT	5 3/8"	3 3/4" +FT	2'-2"	3 1/2"	2'-6"	10"	1'-1"	1'-4"	8"	1 1/4"	1 3/8"
20"	1'-2 13/16" +FT	3 9/16"	4 13/16" +FT	2'-4"	4"	2'-8"	1'-2"	1'-5"	1'-8"	8"	1 1/4"	1 1/2"
24"	1'-4 7/16" +FT	5 7/8"	4 7/16" +FT	2'-8"	4"	3'-0"	1'-2"	1'-5"	1'-8"	8"	1 1/4"	1 1/2"
30"	1'-8 5/16" +FT	5 7/16"	5 5/16" +FT	3'-2"	7"	3'-7"	1'-4"	1'-7"	1'-10"	11"	1 1/2"	1 1/2"
36"	1'-11 1/16" +FT	8 5/16"	5 1/16" +FT	3'-8"	7"	4'-1"	1'-4"	1'-7"	1'-10"	11"	1 1/2"	1 5/8"
42"	2'-2 7/8" +FT	9 5/8"	5 7/8" +FT	4'-2"	7"	4'-8"	1'-6"	1'-9"	2'-0"	1'-0"	1 3/4"	1 3/4"
48"	2'-5 1/2" +FT	1'-0 1/2"	5 1/2" +FT	4'-8"	7"	5'-2"	1'-6"	1'-9"	2'-0"	1'-0"	1 3/4"	1 3/4"
54"	2'-8 1/8" +FT	1'-3 1/2"	5 1/8" +FT	5'-4"	NOTE 1	6'-0"	1'-6"	1'-9"	2'-3"	1'-4"	1 3/4"	1 3/4"

HOW TO ORDER

FIGURE # PIPE NPS "FT" DIM OPTIONS
 - - -

EXAMPLE: HPS-2011-20"-0.25"

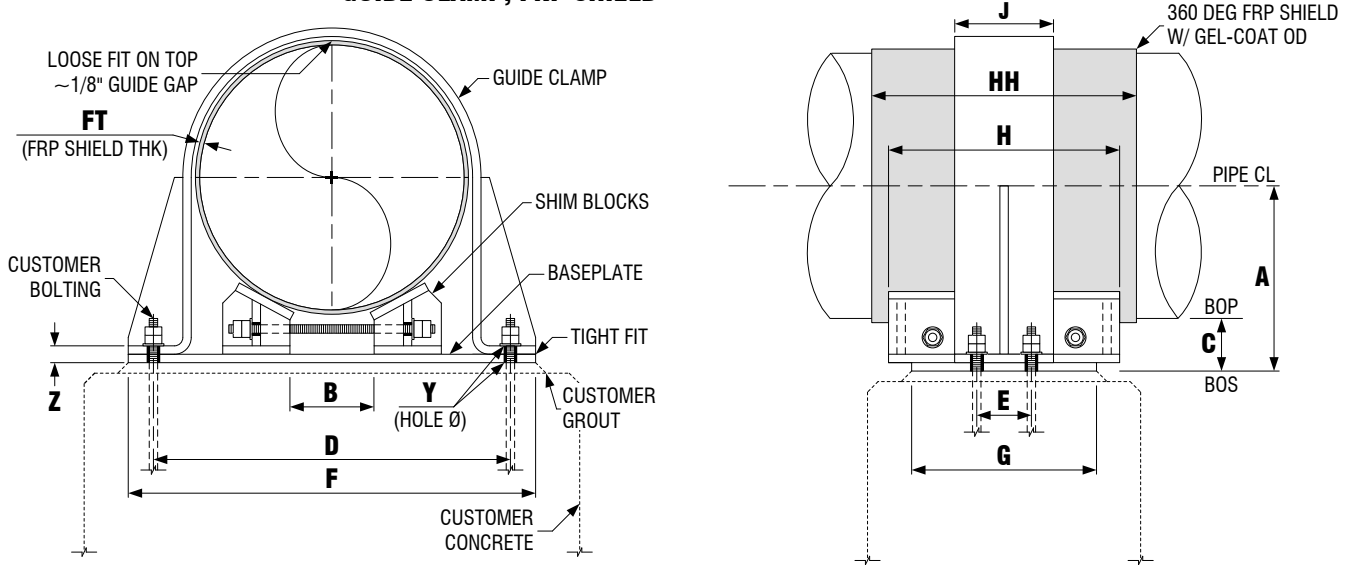
OPTION CODES

AX - SHIM AXIAL STOPS
 NF - FRP/EPOXY BY CUSTOMER

NOTES

- (3) AB HOLES W/ 5" C-C's
- FRP SHIELD FURNISHED PRE-ROUGHENED W/ EPOXY

FIGURE 2012 SHIM BLOCKS, BASEPLATE GUIDE CLAMP, FRP SHIELD



NPS	A	B	C	D	E	F	G	H	HH	J	Y	Z
2"	4 9/16" +FT	1/8"	3 3/8" +FT	8 5/8"	3 1/2"	11 5/8"	10"	10"	1'-0"	6"	7/8"	5/8"
3"	5 1/4" +FT	1/4"	3 1/2" +FT	10"	3 1/2"	1'-1"	10"	10"	1'-0"	6"	7/8"	5/8"
4"	5 11/16" +FT	3/4"	3 7/16" +FT	10"	3 1/2"	1'-1"	10"	10"	1'-0"	6"	7/8"	5/8"
6"	7 1/2" +FT	13/16"	4 3/16" +FT	1'-0"	3 1/2"	1'-3"	10"	1'-1"	1'-4"	6"	7/8"	3/4"
8"	8 3/8" +FT	1 13/16"	4 1/16" +FT	1'-2"	3 1/2"	1'-5"	10"	1'-1"	1'-4"	6"	1 1/8"	7/8"
10"	9 3/8" +FT	2 11/16"	4" +FT	1'-4"	3 1/2"	1'-7"	10"	1'-1"	1'-4"	6"	1 1/4"	7/8"
12"	10 7/16" +FT	2 7/8"	4 1/16" +FT	1'-6"	3 1/2"	1'-10"	10"	1'-1"	1'-4"	6"	1 1/4"	7/8"
14"	11 1/16" +FT	3 1/4"	4 1/16" +FT	1'-10"	3 1/2"	2'-2"	10"	1'-1"	1'-4"	6"	1 1/4"	7/8"
16"	11 7/8" +FT	4 7/16"	3 7/8" +FT	2'-0"	3 1/2"	2'-4"	10"	1'-1"	1'-4"	8"	1 1/4"	7/8"
18"	1'-0 3/4" +FT	5 3/8"	3 3/4" +FT	2'-2"	3 1/2"	2'-6"	10"	1'-1"	1'-4"	8"	1 1/4"	7/8"
20"	1'-2 13/16" +FT	3 9/16"	4 13/16" +FT	2'-4"	4"	2'-8"	1'-2"	1'-5"	1'-8"	8"	1 1/4"	1"
24"	1'-4 7/16" +FT	5 7/8"	4 7/16" +FT	2'-8"	4"	3'-0"	1'-2"	1'-5"	1'-8"	8"	1 1/4"	1"
30"	1'-8 5/16" +FT	5 7/16"	5 5/16" +FT	3'-2"	7"	3'-7"	1'-4"	1'-7"	1'-10"	11"	1 1/2"	1"
36"	1'-11 1/16" +FT	8 5/16"	5 1/16" +FT	3'-8"	7"	4'-1"	1'-4"	1'-7"	1'-10"	11"	1 1/2"	1 1/8"
42"	2'-2 7/8" +FT	9 5/8"	5 7/8" +FT	4'-2"	7"	4'-8"	1'-6"	1'-9"	2'-0"	1'-0"	1 3/4"	1 1/4"
48"	2'-5 1/2" +FT	1'-0 1/2"	5 1/2" +FT	4'-8"	7"	5'-2"	1'-6"	1'-9"	2'-0"	1'-0"	1 3/4"	1 1/4"
54"	2'-8 1/8" +FT	1'-3 1/2"	5 1/8" +FT	5'-4"	NOTE 1	6'-0"	1'-6"	1'-9"	2'-3"	1'-4"	1 3/4"	1 1/4"

HOW TO ORDER

FIGURE # PIPE NPS "FT" DIM OPTIONS

HPS-2012 - - -

EXAMPLE: HPS-2012-20"-0.25"

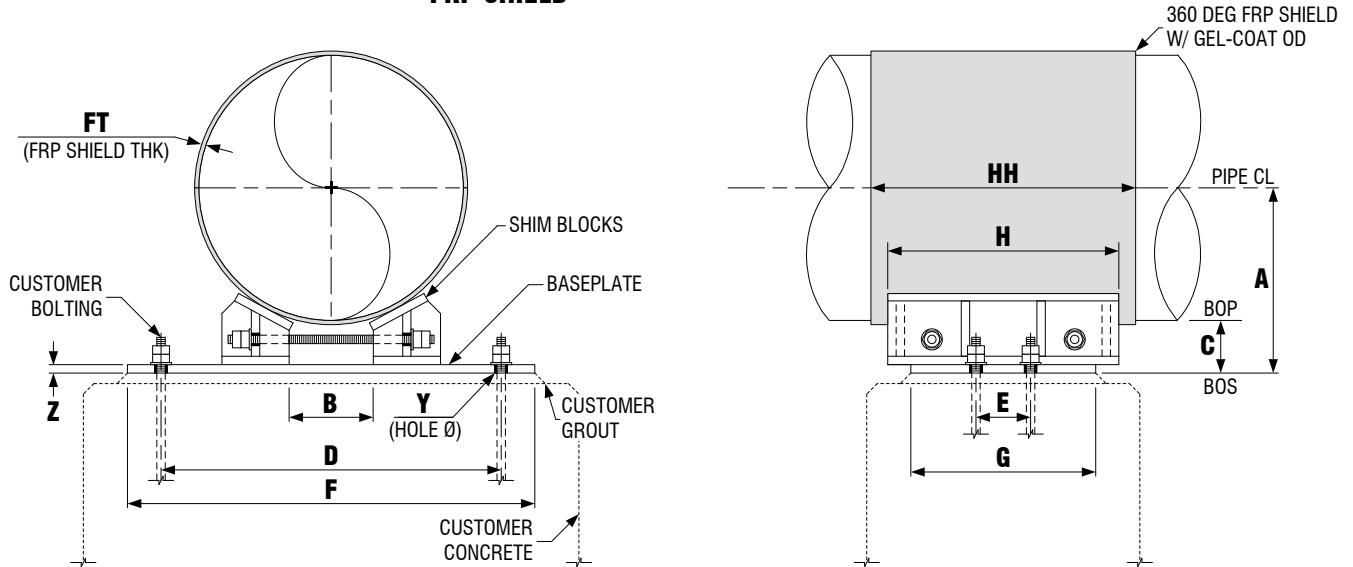
OPTION CODES

- AX - SHIM AXIAL STOPS
- GE - 1/2" GUIDE GAP
- NF - FRP/EPOXY BY CUSTOMER

NOTES

1. (3) AB HOLES W/ 5" C-C's
2. FRP SHIELD FURNISHED PRE-ROUGHENED W/ EPOXY

FIGURE 2013 SHIM BLOCKS, BASEPLATE, FRP SHIELD



NPS	A	B	C	D	E	F	G	H	HH	Y	Z
2"	4 9/16" +FT	1/8"	3 3/8" +FT	8 5/8"	3 1/2"	11 5/8"	10"	10"	1'-0"	7/8"	3/8"
3"	5 1/4" +FT	1/4"	3 1/2" +FT	10"	3 1/2"	1'-1"	10"	10"	1'-0"	7/8"	3/8"
4"	5 11/16" +FT	3/4"	3 7/16" +FT	10"	3 1/2"	1'-1"	10"	10"	1'-0"	7/8"	3/8"
6"	7 1/2" +FT	13/16"	4 3/16" +FT	1'-0"	3 1/2"	1'-3"	10"	1'-1"	1'-4"	7/8"	3/8"
8"	8 3/8" +FT	1 13/16"	4 1/16" +FT	1'-2"	3 1/2"	1'-5"	10"	1'-1"	1'-4"	1 1/8"	3/8"
10"	9 3/8" +FT	2 11/16"	4" +FT	1'-4"	3 1/2"	1'-7"	10"	1'-1"	1'-4"	1 1/4"	3/8"
12"	10 7/16" +FT	2 7/8"	4 1/16" +FT	1'-6"	3 1/2"	1'-10"	10"	1'-1"	1'-4"	1 1/4"	3/8"
14"	11 1/16" +FT	3 1/4"	4 1/16" +FT	1'-10"	3 1/2"	2'-2"	10"	1'-1"	1'-4"	1 1/4"	3/8"
16"	11 7/8" +FT	4 7/16"	3 7/8" +FT	2'-0"	3 1/2"	2'-4"	10"	1'-1"	1'-4"	1 1/4"	3/8"
18"	1'-0 3/4" +FT	5 3/8"	3 3/4" +FT	2'-2"	3 1/2"	2'-6"	10"	1'-1"	1'-4"	1 1/4"	3/8"
20"	1'-2 13/16" +FT	3 9/16"	4 13/16" +FT	2'-4"	4"	2'-8"	1'-2"	1'-5"	1'-8"	1 1/4"	3/8"
24"	1'-4 7/16" +FT	5 7/8"	4 7/16" +FT	2'-8"	4"	3'-0"	1'-2"	1'-5"	1'-8"	1 1/4"	3/8"
30"	1'-8 5/16" +FT	5 7/16"	5 5/16" +FT	3'-2"	7"	3'-7"	1'-4"	1'-7"	1'-10"	1 1/2"	3/8"
36"	1'-11 1/16" +FT	8 5/16"	5 1/16" +FT	3'-8"	7"	4'-1"	1'-4"	1'-7"	1'-10"	1 1/2"	1/2"
42"	2'-2 7/8" +FT	9 5/8"	5 7/8" +FT	4'-2"	7"	4'-8"	1'-6"	1'-9"	2'-0"	1 3/4"	1/2"
48"	2'-5 1/2" +FT	1'-0 1/2"	5 1/2" +FT	4'-8"	7"	5'-2"	1'-6"	1'-9"	2'-0"	1 3/4"	1/2"
54"	2'-8 1/8" +FT	1'-3 1/2"	5 1/8" +FT	5'-4"	NOTE 1	6'-0"	1'-6"	1'-9"	2'-3"	1 3/4"	1/2"

HOW TO ORDER

FIGURE # PIPE NPS "FT" DIM OPTIONS

HPS-2013 - - -

OPTION CODES

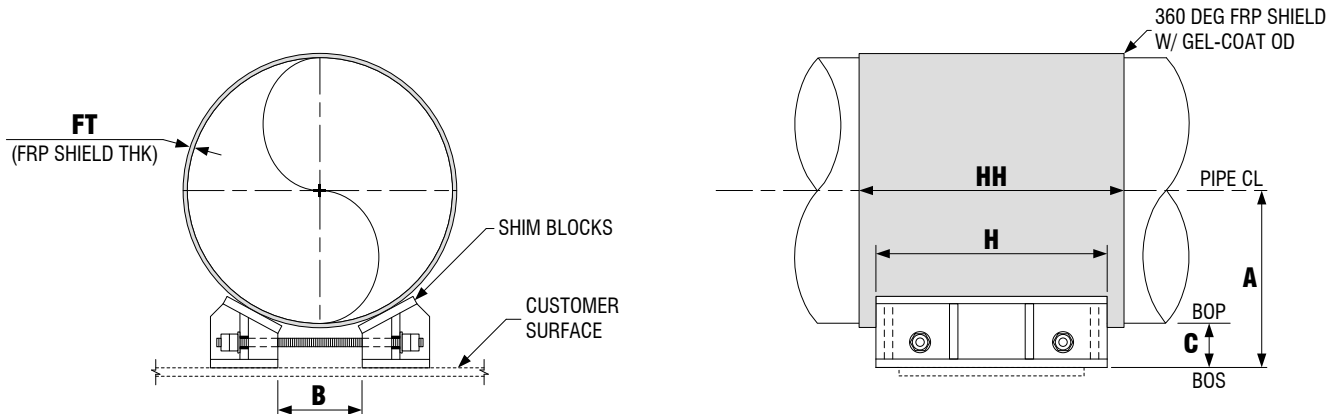
AX - SHIM AXIAL STOPS
NF - FRP/EPOXY BY CUSTOMER

NOTES

- (3) AB HOLES W/ 5" C-C's
- FRP SHIELD FURNISHED PRE-ROUGHENED W/ EPOXY

EXAMPLE: HPS-2013-20"-0.25"

FIGURE 2014 SHIM BLOCKS, FRP SHIELD



NPS	A	B	C	H	HH
2"	4 3/16" +FT	1/8"	3" +FT	10"	1'-0"
3"	4 7/8" +FT	1/4"	3 1/8" +FT	10"	1'-0"
4"	5 5/16" +FT	3/4"	3 1/16" +FT	10"	1'-0"
6"	7 1/8" +FT	13/16"	3 13/16" +FT	1'-1"	1'-4"
8"	8" +FT	1 13/16"	3 11/16" +FT	1'-1"	1'-4"
10"	9" +FT	2 11/16"	3 5/8" +FT	1'-1"	1'-4"
12"	10 1/16" +FT	2 7/8"	3 11/16" +FT	1'-1"	1'-4"
14"	10 11/16" +FT	3 1/4"	3 11/16" +FT	1'-1"	1'-4"
16"	11 1/2" +FT	4 7/16"	3 1/2" +FT	1'-1"	1'-4"
18"	1'-0 3/8" +FT	5 3/8"	3 3/8" +FT	1'-1"	1'-4"
20"	1'-2 7/16" +FT	3 9/16"	4 7/16" +FT	1'-5"	1'-8"
24"	1'-4 1/16" +FT	5 7/8"	4 1/16" +FT	1'-5"	1'-8"
30"	1'-7 15/16" +FT	5 7/16"	4 15/16" +FT	1'-7"	1'-10"
36"	1'-10 9/16" +FT	8 5/16"	4 9/16" +FT	1'-7"	1'-10"
42"	2'-2 3/8" +FT	9 5/8"	5 3/8" +FT	1'-9"	2'-0"
48"	2'-5" +FT	1'-0 1/2"	5" +FT	1'-9"	2'-0"
54"	2'-7 5/8" +FT	1'-3 1/2"	4 5/8" +FT	1'-9"	2'-3"

HOW TO ORDER

FIGURE # PIPE NPS "FT" DIM OPTIONS
 - - -

OPTION CODES

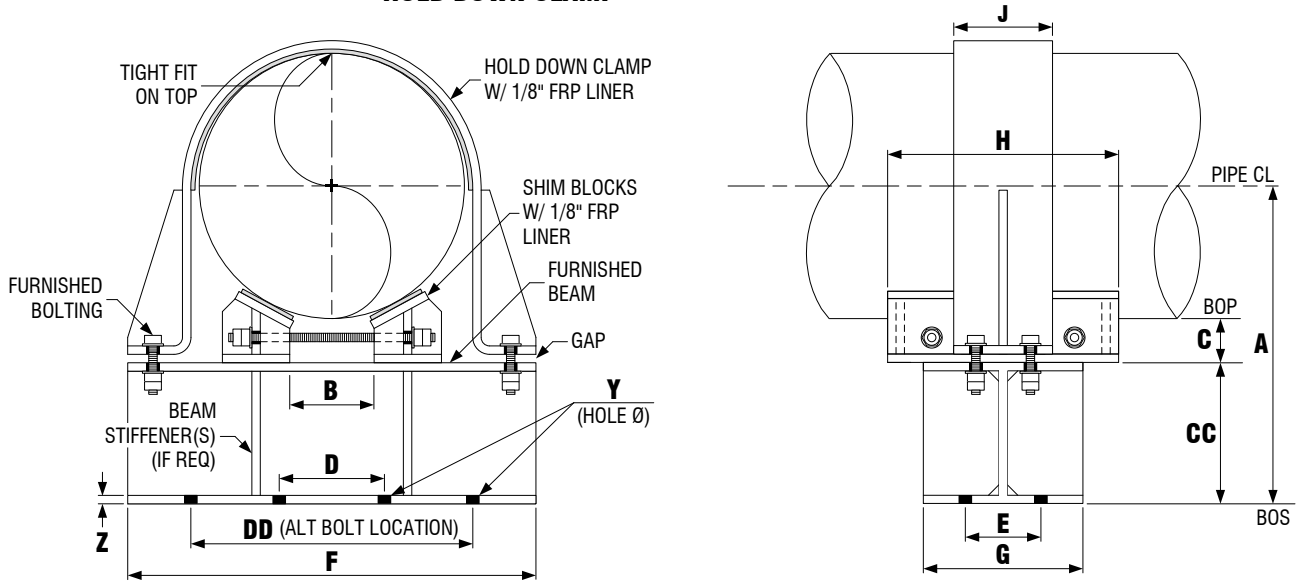
AX - SHIM AXIAL STOPS
 NF - FRP/EPOXY BY CUSTOMER

NOTES

1. FRP SHIELD FURNISHED PRE-ROUGHENED W/ EPOXY

EXAMPLE: HPS-2014-20"-0.25"

FIGURE 2101 SHIM BLOCKS, BEAM, HOLD DOWN CLAMP



NPS	A	B	C	CC	D	DD	E	F	G	H	J	Y	Z
2"	1'-0 5/16"	1/8"	3 1/8"	8"	4"	10"	5 1/2"	1'-1"	8"	10"	6"	3/4"	7/16"
3"	1'-1"	1/4"	3 1/4"	8"	4"	10"	5 1/2"	1'-1"	8"	10"	6"	3/4"	7/16"
4"	1'-1 7/16"	3/4"	3 3/16"	8"	4"	10"	5 1/2"	1'-1"	8"	10"	6"	3/4"	7/16"
6"	1'-3 1/4"	13/16"	3 15/16"	8"	4"	10"	5 1/2"	1'-3"	8"	1'-1"	6"	3/4"	7/16"
8"	1'-4 1/8"	1 13/16"	3 13/16"	8"	4"	1'-0"	5 1/2"	1'-5"	8"	1'-1"	6"	1"	7/16"
10"	1'-5 1/8"	2 11/16"	3 3/4"	8"	4"	1'-0"	5 1/2"	1'-7"	8"	1'-1"	6"	1 1/8"	7/16"
12"	1'-6 3/16"	2 7/8"	3 13/16"	8"	4"	1'-0"	5 1/2"	1'-10"	8"	1'-1"	6"	1 1/8"	7/16"
14"	1'-10 15/16"	3 1/4"	3 13/16"	1'-0 1/8"	4"	1'-0"	5 1/2"	2'-2"	1'-0"	1'-1"	6"	1 1/8"	5/8"
16"	1'-11 3/4"	4 7/16"	3 5/8"	1'-0 1/8"	7"	1'-6"	5 1/2"	2'-4"	1'-0"	1'-1"	8"	1 1/8"	5/8"
18"	2'-0 5/8"	5 3/8"	3 1/2"	1'-0 1/8"	7"	1'-6"	5 1/2"	2'-6"	1'-0"	1'-1"	8"	1 1/8"	5/8"
20"	2'-2 11/16"	3 9/16"	4 9/16"	1'-0 1/8"	7"	1'-6"	5 1/2"	2'-8"	1'-0"	1'-5"	8"	1 1/8"	5/8"
24"	2'-4 5/16"	5 7/8"	4 3/16"	1'-0 1/8"	8"	2'-0"	5 1/2"	3'-0"	1'-0"	1'-5"	8"	1 1/8"	5/8"
30"	2'-8 3/16"	5 7/16"	5 1/16"	1'-0 1/8"	8"	2'-0"	5 1/2"	3'-7"	1'-0"	1'-7"	11"	1 1/4"	5/8"
36"	2'-10 13/16"	8 5/16"	4 11/16"	1'-0 1/8"	8"	2'-0"	5 1/2"	4'-1"	1'-0"	1'-7"	11"	1 1/4"	5/8"
42"	3'-2 5/8"	9 5/8"	5 1/2"	1'-0 1/8"	8"	2'-0"	5 1/2"	4'-8"	1'-0"	1'-9"	1'-0"	1 1/2"	5/8"

HOW TO ORDER

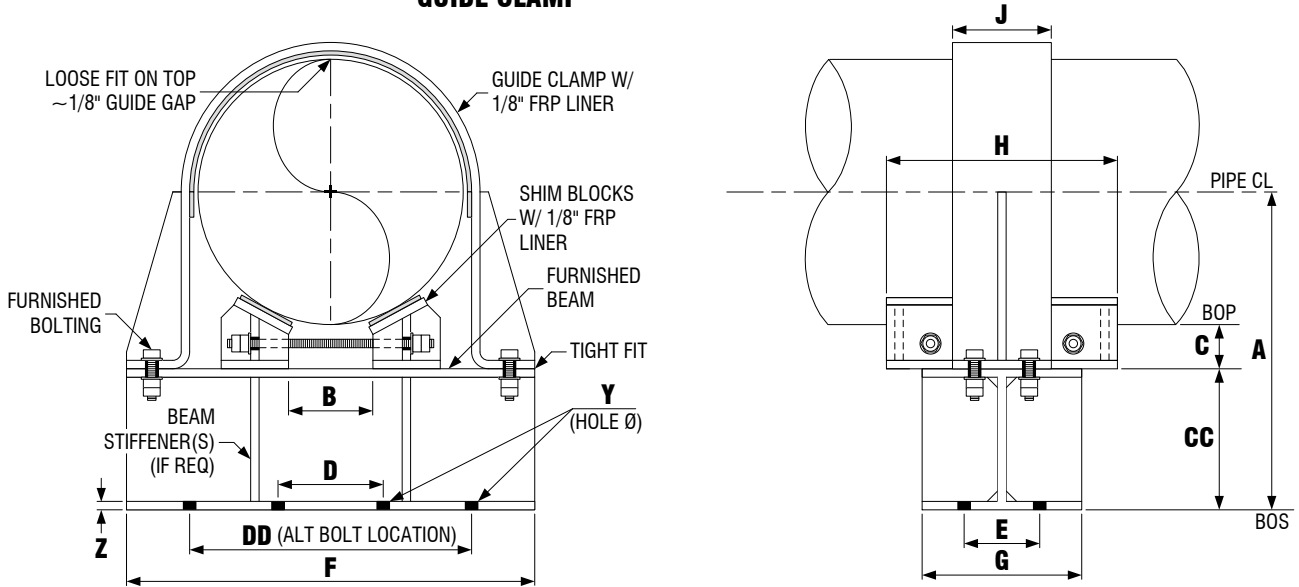
FIGURE # PIPE NPS OPTIONS
HPS-2101 - -

OPTION CODES

AX - SHIM AXIAL STOPS

EXAMPLE: HPS-2101-20"

FIGURE 2102 SHIM BLOCKS, BEAM, GUIDE CLAMP



NPS	A	B	C	CC	D	DD	E	F	G	H	J	Y	Z
2"	1'-0 5/16"	1/8"	3 1/8"	8"	4"	10"	5 1/2"	1'-1"	8"	10"	6"	3/4"	7/16"
3"	1'-1"	1/4"	3 1/4"	8"	4"	10"	5 1/2"	1'-1"	8"	10"	6"	3/4"	7/16"
4"	1'-1 7/16"	3/4"	3 3/16"	8"	4"	10"	5 1/2"	1'-1"	8"	10"	6"	3/4"	7/16"
6"	1'-3 1/4"	13/16"	3 15/16"	8"	4"	10"	5 1/2"	1'-3"	8"	1'-1"	6"	3/4"	7/16"
8"	1'-4 1/8"	1 13/16"	3 13/16"	8"	4"	1'-0"	5 1/2"	1'-5"	8"	1'-1"	6"	1"	7/16"
10"	1'-5 1/8"	2 11/16"	3 3/4"	8"	4"	1'-0"	5 1/2"	1'-7"	8"	1'-1"	6"	1 1/8"	7/16"
12"	1'-6 3/16"	2 7/8"	3 13/16"	8"	4"	1'-0"	5 1/2"	1'-10"	8"	1'-1"	6"	1 1/8"	7/16"
14"	1'-10 15/16"	3 1/4"	3 13/16"	1'-0 1/8"	4"	1'-0"	5 1/2"	2'-2"	1'-0"	1'-1"	6"	1 1/8"	5/8"
16"	1'-11 3/4"	4 7/16"	3 5/8"	1'-0 1/8"	7"	1'-6"	5 1/2"	2'-4"	1'-0"	1'-1"	8"	1 1/8"	5/8"
18"	2'-0 5/8"	5 3/8"	3 1/2"	1'-0 1/8"	7"	1'-6"	5 1/2"	2'-6"	1'-0"	1'-1"	8"	1 1/8"	5/8"
20"	2'-2 11/16"	3 9/16"	4 9/16"	1'-0 1/8"	7"	1'-6"	5 1/2"	2'-8"	1'-0"	1'-5"	8"	1 1/8"	5/8"
24"	2'-4 5/16"	5 7/8"	4 3/16"	1'-0 1/8"	8"	2'-0"	5 1/2"	3'-0"	1'-0"	1'-5"	8"	1 1/8"	5/8"
30"	2'-8 3/16"	5 7/16"	5 1/16"	1'-0 1/8"	8"	2'-0"	5 1/2"	3'-7"	1'-0"	1'-7"	11"	1 1/4"	5/8"
36"	2'-10 13/16"	8 5/16"	4 11/16"	1'-0 1/8"	8"	2'-0"	5 1/2"	4'-1"	1'-0"	1'-7"	11"	1 1/4"	5/8"
42"	3'-2 5/8"	9 5/8"	5 1/2"	1'-0 1/8"	8"	2'-0"	5 1/2"	4'-8"	1'-0"	1'-9"	1'-0"	1 1/2"	5/8"

HOW TO ORDER

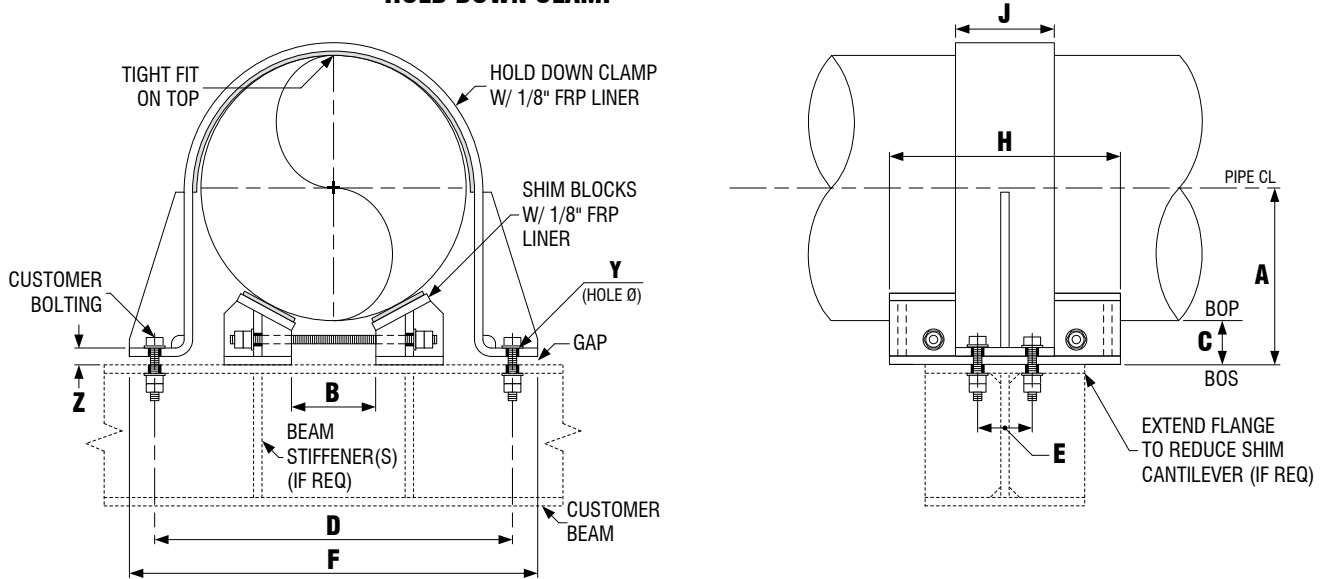
FIGURE # PIPE NPS OPTIONS
 - -

OPTION CODES

AX - SHIM AXIAL STOPS
 GE - 1/2" GUIDE GAP

EXAMPLE: HPS-2102-20"

FIGURE 2103 SHIM BLOCKS, HOLD DOWN CLAMP



NPS	A	B	C	D	E	F	H	J	Y	Z
2"	4 5/16"	1/8"	3 1/8"	8 5/8"	3 1/2"	11 5/8"	10"	6"	7/8"	3/4"
3"	5"	1/4"	3 1/4"	10"	3 1/2"	1'-1"	10"	6"	7/8"	3/4"
4"	5 7/16"	3/4"	3 3/16"	10"	3 1/2"	1'-1"	10"	6"	7/8"	3/4"
6"	7 1/4"	13/16"	3 15/16"	1'-0"	3 1/2"	1'-3"	1'-1"	6"	7/8"	7/8"
8"	8 1/8"	1 13/16"	3 13/16"	1'-2"	3 1/2"	1'-5"	1'-1"	6"	1 1/8"	1"
10"	9 1/8"	2 11/16"	3 3/4"	1'-4"	3 1/2"	1'-7"	1'-1"	6"	1 1/4"	1"
12"	10 3/16"	2 7/8"	3 13/16"	1'-6"	3 1/2"	1'-10"	1'-1"	6"	1 1/4"	1"
14"	10 13/16"	3 1/4"	3 13/16"	1'-10"	3 1/2"	2'-2"	1'-1"	6"	1 1/4"	1"
16"	11 5/8"	4 7/16"	3 5/8"	2'-0"	3 1/2"	2'-4"	1'-1"	8"	1 1/4"	1"
18"	1'-0 1/2"	5 3/8"	3 1/2"	2'-2"	3 1/2"	2'-6"	1'-1"	8"	1 1/4"	1"
20"	1'-2 9/16"	3 9/16"	4 9/16"	2'-4"	4"	2'-8"	1'-5"	8"	1 1/4"	1 1/8"
24"	1'-4 3/16"	5 7/8"	4 3/16"	2'-8"	4"	3'-0"	1'-5"	8"	1 1/4"	1 1/8"
30"	1'-8 1/16"	5 7/16"	5 1/16"	3'-2"	7"	3'-7"	1'-7"	11"	1 1/2"	1 1/8"
36"	1'-10 11/16"	8 5/16"	4 11/16"	3'-8"	7"	4'-1"	1'-7"	11"	1 1/2"	1 1/8"
42"	2'-2 1/2"	9 5/8"	5 1/2"	4'-2"	7"	4'-8"	1'-9"	1'-0"	1 3/4"	1 1/4"
48"	2'-5 1/8"	1'-0 1/2"	5 1/8"	4'-8"	7"	5'-2"	1'-9"	1'-0"	1 3/4"	1 1/4"
54"	2'-7 3/4"	1'-3 1/2"	4 3/4"	5'-4"	7"	6'-0"	1'-9"	1'-4"	1 3/4"	1 1/4"

HOW TO ORDER

FIGURE # PIPE NPS OPTIONS
 - -

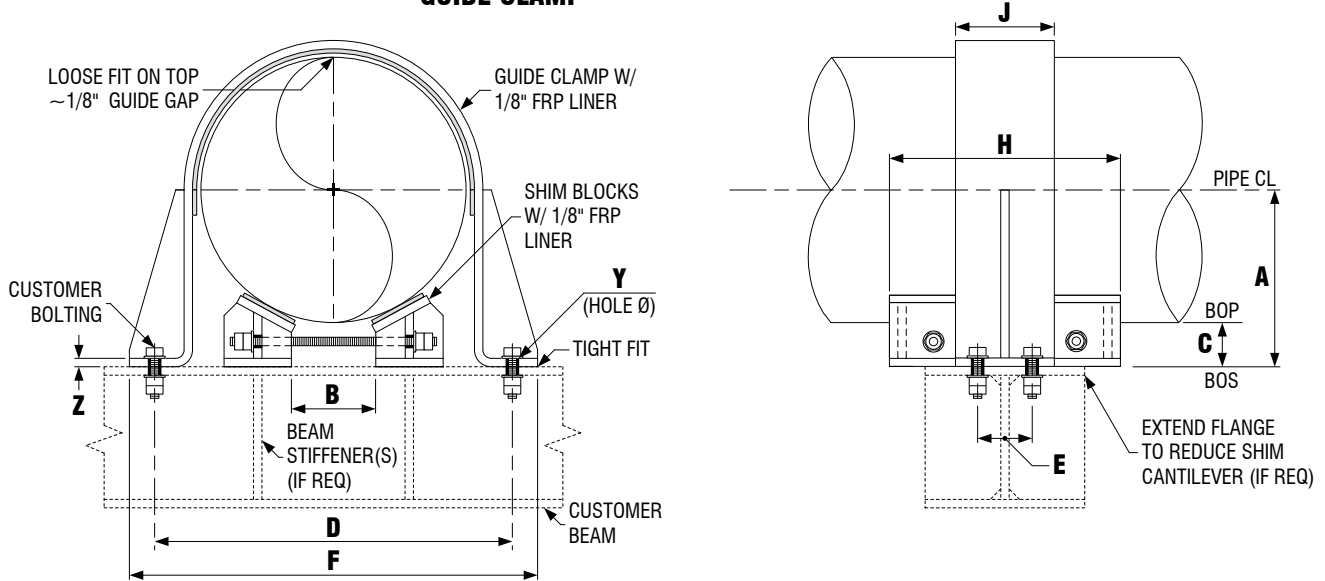
OPTION CODES

AX - SHIM AXIAL STOPS

EXAMPLE: HPS-2103-20"

FIGURE 2104

**SHIM BLOCKS,
GUIDE CLAMP**



NPS	A	B	C	D	E	F	H	J	Y	Z
2"	4 5/16"	1/8"	3 1/8"	8 5/8"	3 1/2"	11 5/8"	10"	6"	7/8"	1/4"
3"	5"	1/4"	3 1/4"	10"	3 1/2"	1'-1"	10"	6"	7/8"	1/4"
4"	5 7/16"	3/4"	3 3/16"	10"	3 1/2"	1'-1"	10"	6"	7/8"	1/4"
6"	7 1/4"	13/16"	3 15/16"	1'-0"	3 1/2"	1'-3"	1'-1"	6"	7/8"	3/8"
8"	8 1/8"	1 13/16"	3 13/16"	1'-2"	3 1/2"	1'-5"	1'-1"	6"	1 1/8"	1/2"
10"	9 1/8"	2 11/16"	3 3/4"	1'-4"	3 1/2"	1'-7"	1'-1"	6"	1 1/4"	1/2"
12"	10 3/16"	2 7/8"	3 13/16"	1'-6"	3 1/2"	1'-10"	1'-1"	6"	1 1/4"	1/2"
14"	10 13/16"	3 1/4"	3 13/16"	1'-10"	3 1/2"	2'-2"	1'-1"	6"	1 1/4"	1/2"
16"	11 5/8"	4 7/16"	3 5/8"	2'-0"	3 1/2"	2'-4"	1'-1"	8"	1 1/4"	1/2"
18"	1'-0 1/2"	5 3/8"	3 1/2"	2'-2"	3 1/2"	2'-6"	1'-1"	8"	1 1/4"	1/2"
20"	1'-2 9/16"	3 9/16"	4 9/16"	2'-4"	4"	2'-8"	1'-5"	8"	1 1/4"	5/8"
24"	1'-4 3/16"	5 7/8"	4 3/16"	2'-8"	4"	3'-0"	1'-5"	8"	1 1/4"	5/8"
30"	1'-8 1/16"	5 7/16"	5 1/16"	3'-2"	7"	3'-7"	1'-7"	11"	1 1/2"	5/8"
36"	1'-10 11/16"	8 5/16"	4 11/16"	3'-8"	7"	4'-1"	1'-7"	11"	1 1/2"	5/8"
42"	2'-2 1/2"	9 5/8"	5 1/2"	4'-2"	7"	4'-8"	1'-9"	1'-0"	1 3/4"	3/4"
48"	2'-5 1/8"	1'-0 1/2"	5 1/8"	4'-8"	7"	5'-2"	1'-9"	1'-0"	1 3/4"	3/4"
54"	2'-7 3/4"	1'-3 1/2"	4 3/4"	5'-4"	7"	6'-0"	1'-9"	1'-4"	1 3/4"	3/4"

HOW TO ORDER

FIGURE # PIPE NPS OPTIONS
 - -

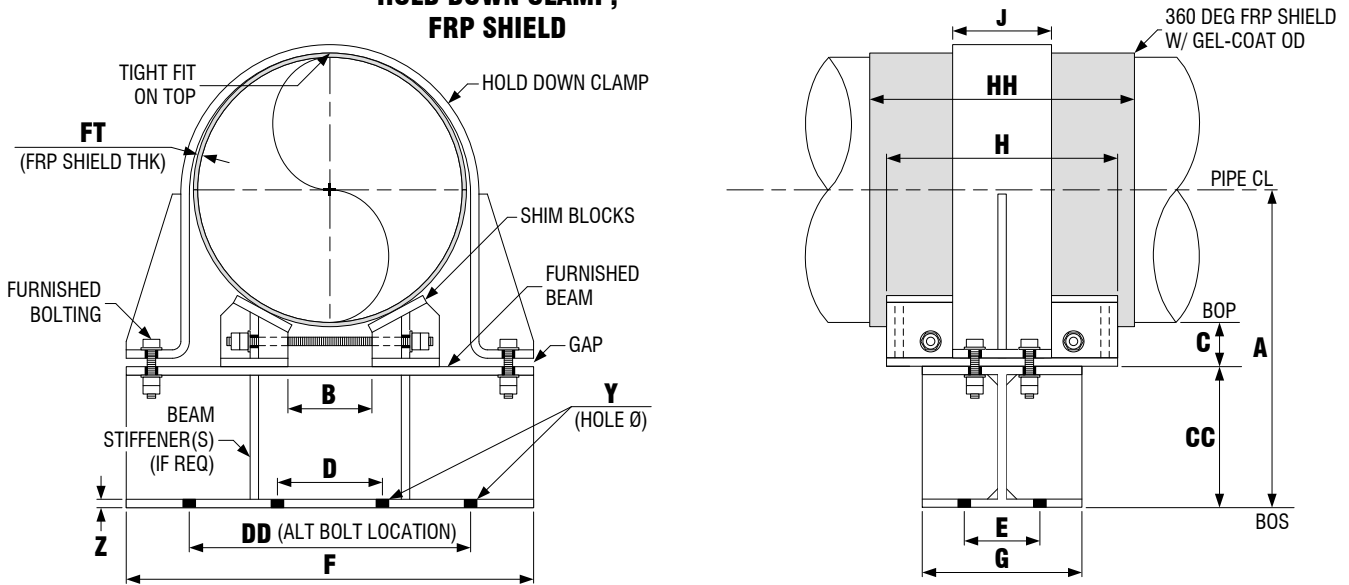
EXAMPLE: HPS-2104-20"

OPTION CODES

- AX - SHIM AXIAL STOPS
- GE - 1/2" GUIDE GAP

FIGURE 2111

SHIM BLOCKS, BEAM, HOLD DOWN CLAMP, FRP SHIELD



NPS	A	B	C	CC	D	DD	E	F	G	H	HH	J	Y	Z
2"	1-0 3/16" +FT	1/8"	3" +FT	8"	4"	10"	5 1/2"	1'-1"	8"	10"	1'-0"	6"	3/4"	7/16"
3"	1'-0 7/8" +FT	1/4"	3 1/8" +FT	8"	4"	10"	5 1/2"	1'-1"	8"	10"	1'-0"	6"	3/4"	7/16"
4"	1'-1 5/16" +FT	3/4"	3 1/16" +FT	8"	4"	10"	5 1/2"	1'-1"	8"	10"	1'-0"	6"	3/4"	7/16"
6"	1'-3 1/8" +FT	13/16"	3 13/16" +FT	8"	4"	10"	5 1/2"	1'-3"	8"	1'-1"	1'-4"	6"	3/4"	7/16"
8"	1'-4" +FT	1 13/16"	3 11/16" +FT	8"	4"	1'-0"	5 1/2"	1'-5"	8"	1'-1"	1'-4"	6"	1"	7/16"
10"	1'-5" +FT	2 11/16"	3 5/8" +FT	8"	4"	1'-0"	5 1/2"	1'-7"	8"	1'-1"	1'-4"	6"	1 1/8"	7/16"
12"	1'-6 1/16" +FT	2 7/8"	3 11/16" +FT	8"	4"	1'-0"	5 1/2"	1'-10"	8"	1'-1"	1'-4"	6"	1 1/8"	7/16"
14"	1'-10 13/16" +FT	3 1/4"	3 11/16" +FT	1'-0 1/8"	4"	1'-0"	5 1/2"	2'-2"	1'-0"	1'-1"	1'-4"	6"	1 1/8"	5/8"
16"	1'-11 5/8" +FT	4 7/16"	3 1/2" +FT	1'-0 1/8"	7"	1'-6"	5 1/2"	2'-4"	1'-0"	1'-1"	1'-4"	8"	1 1/8"	5/8"
18"	2'-0 1/2" +FT	5 3/8"	3 3/8" +FT	1'-0 1/8"	7"	1'-6"	5 1/2"	2'-6"	1'-0"	1'-1"	1'-4"	8"	1 1/8"	5/8"
20"	2'-2 9/16" +FT	3 9/16"	4 7/16" +FT	1'-0 1/8"	7"	1'-6"	5 1/2"	2'-8"	1'-0"	1'-5"	1'-8"	8"	1 1/8"	5/8"
24"	2'-4 3/16" +FT	5 7/8"	4 1/16" +FT	1'-0 1/8"	8"	2'-0"	5 1/2"	3'-0"	1'-0"	1'-5"	1'-8"	8"	1 1/8"	5/8"
30"	2'-8 1/16" +FT	5 7/16"	4 15/16" +FT	1'-0 1/8"	8"	2'-0"	5 1/2"	3'-7"	1'-0"	1'-7"	1'-10"	11"	1 1/4"	5/8"
36"	2'-10 11/16" +FT	8 5/16"	4 9/16" +FT	1'-0 1/8"	8"	2'-0"	5 1/2"	4'-1"	1'-0"	1'-7"	1'-10"	11"	1 1/4"	5/8"
42"	3'-2 1/2" +FT	9 5/8"	5 3/8" +FT	1'-0 1/8"	8"	2'-0"	5 1/2"	4'-8"	1'-0"	1'-9"	2'-0"	1'-0"	1 1/2"	5/8"

HOW TO ORDER

FIGURE # PIPE NPS "FT" DIM OPTIONS
HPS-2111 - - -

OPTION CODES

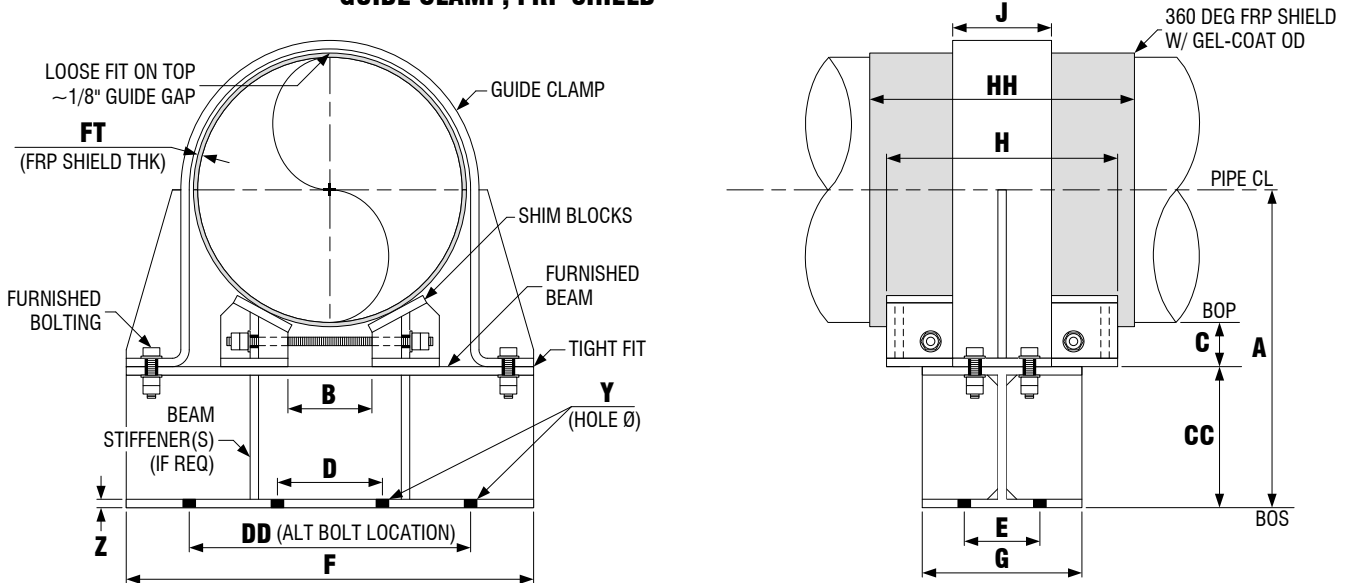
AX - SHIM AXIAL STOPS
 NF - FRP/EPOXY BY CUSTOMER

NOTES

1. FRP SHIELD FURNISHED PRE-ROUGHENED W/ EPOXY

EXAMPLE: HPS-2111-20"-0.25"

FIGURE 2112 SHIM BLOCKS, BEAM, GUIDE CLAMP, FRP SHIELD



NPS	A	B	C	CC	D	DD	E	F	G	H	HH	J	Y	Z
2"	1'-0 3/16" +FT	1/8"	3" +FT	8"	4"	10"	5 1/2"	1'-1"	8"	10"	1'-0"	6"	3/4"	7/16"
3"	1'-0 7/8" +FT	1/4"	3 1/8" +FT	8"	4"	10"	5 1/2"	1'-1"	8"	10"	1'-0"	6"	3/4"	7/16"
4"	1'-1 5/16" +FT	3/4"	3 1/16" +FT	8"	4"	10"	5 1/2"	1'-1"	8"	10"	1'-0"	6"	3/4"	7/16"
6"	1'-3 1/8" +FT	13/16"	3 13/16" +FT	8"	4"	10"	5 1/2"	1'-3"	8"	1'-1"	1'-4"	6"	3/4"	7/16"
8"	1'-4" +FT	1 13/16"	3 11/16" +FT	8"	4"	1'-0"	5 1/2"	1'-5"	8"	1'-1"	1'-4"	6"	1"	7/16"
10"	1'-5" +FT	2 11/16"	3 5/8" +FT	8"	4"	1'-0"	5 1/2"	1'-7"	8"	1'-1"	1'-4"	6"	1 1/8"	7/16"
12"	1'-6 1/16" +FT	2 7/8"	3 11/16" +FT	8"	4"	1'-0"	5 1/2"	1'-10"	8"	1'-1"	1'-4"	6"	1 1/8"	7/16"
14"	1'-10 13/16" +FT	3 1/4"	3 11/16" +FT	1'-0 1/8"	4"	1'-0"	5 1/2"	2'-2"	1'-0"	1'-1"	1'-4"	6"	1 1/8"	5/8"
16"	1'-11 5/8" +FT	4 7/16"	3 1/2" +FT	1'-0 1/8"	7"	1'-6"	5 1/2"	2'-4"	1'-0"	1'-1"	1'-4"	8"	1 1/8"	5/8"
18"	2'-0 1/2" +FT	5 3/8"	3 3/8" +FT	1'-0 1/8"	7"	1'-6"	5 1/2"	2'-6"	1'-0"	1'-1"	1'-4"	8"	1 1/8"	5/8"
20"	2'-2 9/16" +FT	3 9/16"	4 7/16" +FT	1'-0 1/8"	7"	1'-6"	5 1/2"	2'-8"	1'-0"	1'-5"	1'-8"	8"	1 1/8"	5/8"
24"	2'-4 3/16" +FT	5 7/8"	4 1/16" +FT	1'-0 1/8"	8"	2'-0"	5 1/2"	3'-0"	1'-0"	1'-5"	1'-8"	8"	1 1/8"	5/8"
30"	2'-8 1/16" +FT	5 7/16"	4 15/16" +FT	1'-0 1/8"	8"	2'-0"	5 1/2"	3'-7"	1'-0"	1'-7"	1'-10"	11"	1 1/4"	5/8"
36"	2'-10 11/16" +FT	8 5/16"	4 9/16" +FT	1'-0 1/8"	8"	2'-0"	5 1/2"	4'-1"	1'-0"	1'-7"	1'-10"	11"	1 1/4"	5/8"
42"	3'-2 1/2" +FT	9 5/8"	5 3/8" +FT	1'-0 1/8"	8"	2'-0"	5 1/2"	4'-8"	1'-0"	1'-9"	2'-0"	1'-0"	1 1/2"	5/8"

HOW TO ORDER

FIGURE # PIPE NPS "FT" DIM OPTIONS
HPS-2112 - - -

OPTION CODES

AX - SHIM AXIAL STOPS
 GE - 1/2" GUIDE GAP
 NF - FRP/EPOXY BY CUSTOMER

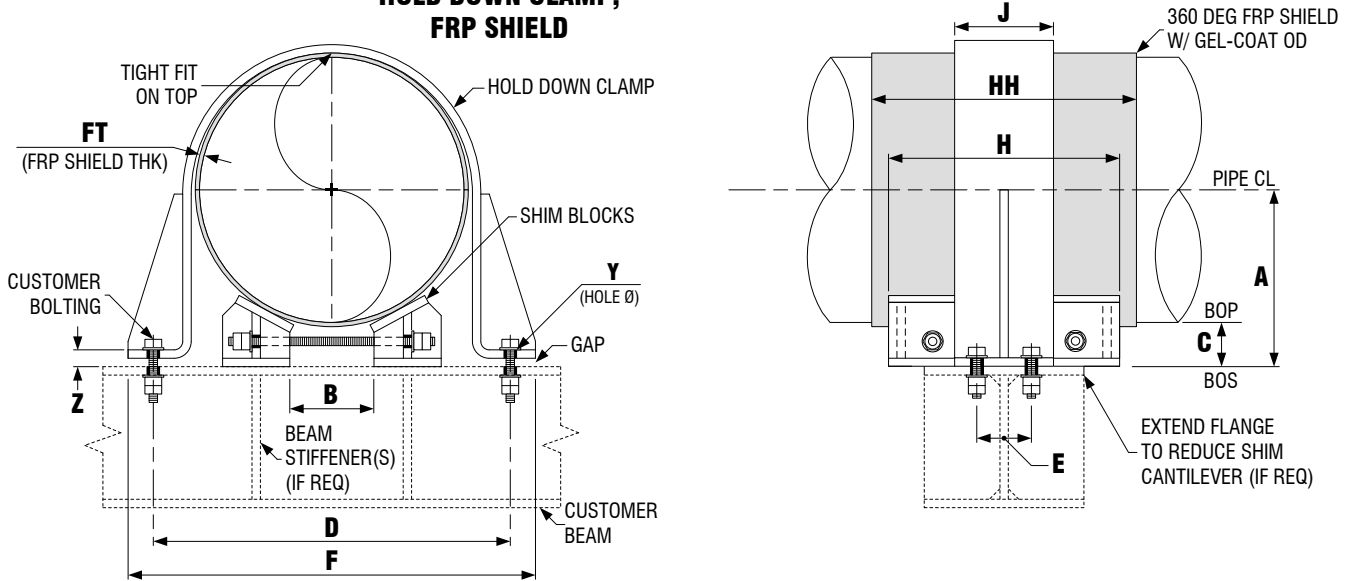
NOTES

1. FRP SHIELD FURNISHED PRE-ROUGHENED W/ EPOXY

EXAMPLE: HPS-2112-20"-0.25"

FIGURE 2113

**SHIM BLOCKS,
HOLD DOWN CLAMP,
FRP SHIELD**



NPS	A	B	C	D	E	F	H	HH	J	Y	Z
2"	4 3/16" +FT	1/8"	3" +FT	8 5/8"	3 1/2"	11 5/8"	10"	1'-0"	6"	7/8"	3/4"
3"	4 7/8" +FT	1/4"	3 1/8" +FT	10"	3 1/2"	1'-1"	10"	1'-0"	6"	7/8"	3/4"
4"	5 5/16" +FT	3/4"	3 1/16" +FT	10"	3 1/2"	1'-1"	10"	1'-0"	6"	7/8"	3/4"
6"	7 1/8" +FT	13/16"	3 13/16" +FT	1'-0"	3 1/2"	1'-3"	1'-1"	1'-4"	6"	7/8"	7/8"
8"	8" +FT	1 13/16"	3 11/16" +FT	1'-2"	3 1/2"	1'-5"	1'-1"	1'-4"	6"	1 1/8"	1"
10"	9" +FT	2 11/16"	3 5/8" +FT	1'-4"	3 1/2"	1'-7"	1'-1"	1'-4"	6"	1 1/4"	1"
12"	10 1/16" +FT	2 7/8"	3 11/16" +FT	1'-6"	3 1/2"	1'-10"	1'-1"	1'-4"	6"	1 1/4"	1"
14"	10 11/16" +FT	3 1/4"	3 11/16" +FT	1'-10"	3 1/2"	2'-2"	1'-1"	1'-4"	6"	1 1/4"	1"
16"	11 1/2" +FT	4 7/16"	3 1/2" +FT	2'-0"	3 1/2"	2'-4"	1'-1"	1'-4"	8"	1 1/4"	1"
18"	1'-0 3/8" +FT	5 3/8"	3 3/8" +FT	2'-2"	3 1/2"	2'-6"	1'-1"	1'-4"	8"	1 1/4"	1"
20"	1'-2 7/16" +FT	3 9/16"	4 7/16" +FT	2'-4"	4"	2'-8"	1'-5"	1'-8"	8"	1 1/4"	1 1/8"
24"	1'-4 1/16" +FT	5 7/8"	4 1/16" +FT	2'-8"	4"	3'-0"	1'-5"	1'-8"	8"	1 1/4"	1 1/8"
30"	1'-7 15/16" +FT	5 7/16"	4 15/16" +FT	3'-2"	7"	3'-7"	1'-7"	1'-10"	11"	1 1/2"	1 1/8"
36"	1'-10 9/16" +FT	8 5/16"	4 9/16" +FT	3'-8"	7"	4'-1"	1'-7"	1'-10"	11"	1 1/2"	1 1/8"
42"	2'-2 3/8" +FT	9 5/8"	5 3/8" +FT	4'-2"	7"	4'-8"	1'-9"	2'-0"	1'-0"	1 3/4"	1 1/4"
48"	2'-5" +FT	1'-0 1/2"	5" +FT	4'-8"	7"	5'-2"	1'-9"	2'-0"	1'-0"	1 3/4"	1 1/4"
54"	2'-7 5/8" +FT	1'-3 1/2"	4 5/8" +FT	5'-4"	7"	6'-0"	1'-9"	2'-3"	1'-4"	1 3/4"	1 1/4"

HOW TO ORDER

FIGURE # PIPE NPS "FT" DIM OPTIONS
 - - -

EXAMPLE: HPS-2113-20"-0.25"

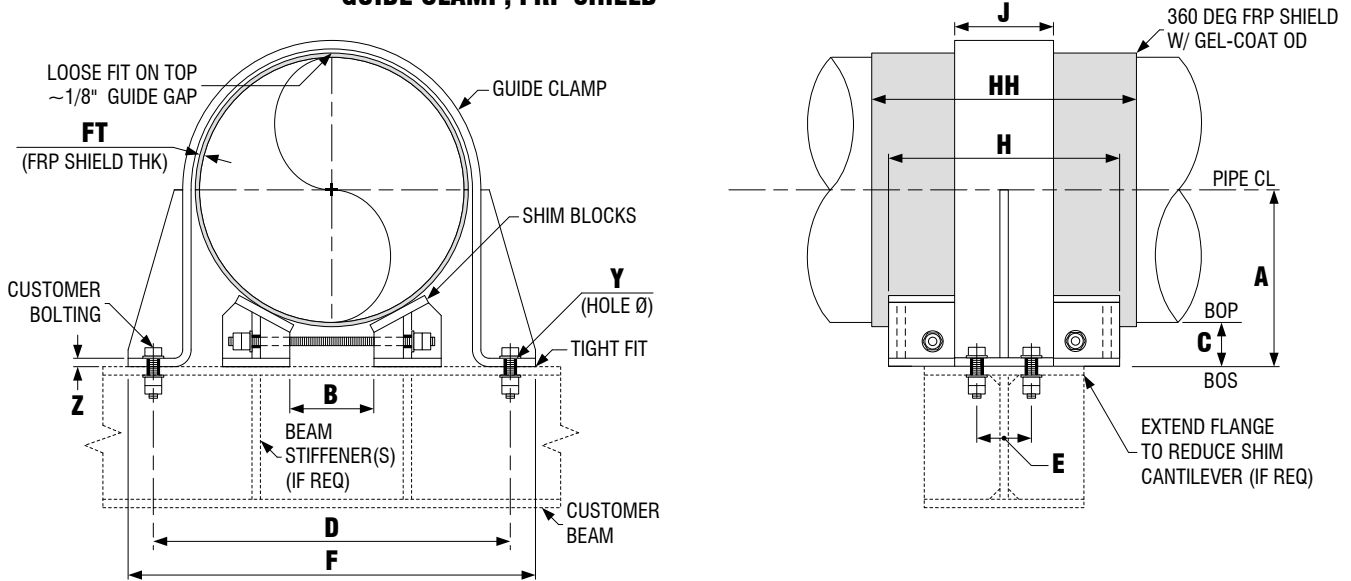
OPTION CODES

AX - SHIM AXIAL STOPS
 NF - FRP/EPOXY BY CUSTOMER

NOTES

1. FRP SHIELD FURNISHED PRE-ROUGHENED W/ EPOXY

FIGURE 2114 SHIM BLOCKS, GUIDE CLAMP, FRP SHIELD



NPS	A	B	C	D	E	F	H	HH	J	Y	Z
2"	4 3/16" +FT	1/8"	3" +FT	8 5/8"	3 1/2"	11 5/8"	10"	1'-0"	6"	7/8"	1/4"
3"	4 7/8" +FT	1/4"	3 1/8" +FT	10"	3 1/2"	1'-1"	10"	1'-0"	6"	7/8"	1/4"
4"	5 5/16" +FT	3/4"	3 1/16" +FT	10"	3 1/2"	1'-1"	10"	1'-0"	6"	7/8"	1/4"
6"	7 1/8" +FT	13/16"	3 13/16" +FT	1'-0"	3 1/2"	1'-3"	1'-1"	1'-4"	6"	7/8"	3/8"
8"	8" +FT	1 13/16"	3 11/16" +FT	1'-2"	3 1/2"	1'-5"	1'-1"	1'-4"	6"	1 1/8"	1/2"
10"	9" +FT	2 11/16"	3 5/8" +FT	1'-4"	3 1/2"	1'-7"	1'-1"	1'-4"	6"	1 1/4"	1/2"
12"	10 1/16" +FT	2 7/8"	3 11/16" +FT	1'-6"	3 1/2"	1'-10"	1'-1"	1'-4"	6"	1 1/4"	1/2"
14"	10 11/16" +FT	3 1/4"	3 11/16" +FT	1'-10"	3 1/2"	2'-2"	1'-1"	1'-4"	6"	1 1/4"	1/2"
16"	11 1/2" +FT	4 7/16"	3 1/2" +FT	2'-0"	3 1/2"	2'-4"	1'-1"	1'-4"	8"	1 1/4"	1/2"
18"	1'-0 3/8" +FT	5 3/8"	3 3/8" +FT	2'-2"	3 1/2"	2'-6"	1'-1"	1'-4"	8"	1 1/4"	1/2"
20"	1'-2 7/16" +FT	3 9/16"	4 7/16" +FT	2'-4"	4"	2'-8"	1'-5"	1'-8"	8"	1 1/4"	5/8"
24"	1'-4 1/16" +FT	5 7/8"	4 1/16" +FT	2'-8"	4"	3'-0"	1'-5"	1'-8"	8"	1 1/4"	5/8"
30"	1'-7 15/16" +FT	5 7/16"	4 15/16" +FT	3'-2"	7"	3'-7"	1'-7"	1'-10"	11"	1 1/2"	5/8"
36"	1'-10 9/16" +FT	8 5/16"	4 9/16" +FT	3'-8"	7"	4'-1"	1'-7"	1'-10"	11"	1 1/2"	5/8"
42"	2'-2 3/8" +FT	9 5/8"	5 3/8" +FT	4'-2"	7"	4'-8"	1'-9"	2'-0"	1'-0"	1 3/4"	3/4"
48"	2'-5" +FT	1'-0 1/2"	5" +FT	4'-8"	7"	5'-2"	1'-9"	2'-0"	1'-0"	1 3/4"	3/4"
54"	2'-7 5/8" +FT	1'-3 1/2"	4 5/8" +FT	5'-4"	7"	6'-0"	1'-9"	2'-3"	1'-4"	1 3/4"	3/4"

HOW TO ORDER

FIGURE # PIPE NPS "FT" DIM OPTIONS
 - - -

EXAMPLE: HPS-2114-20"-0.25"

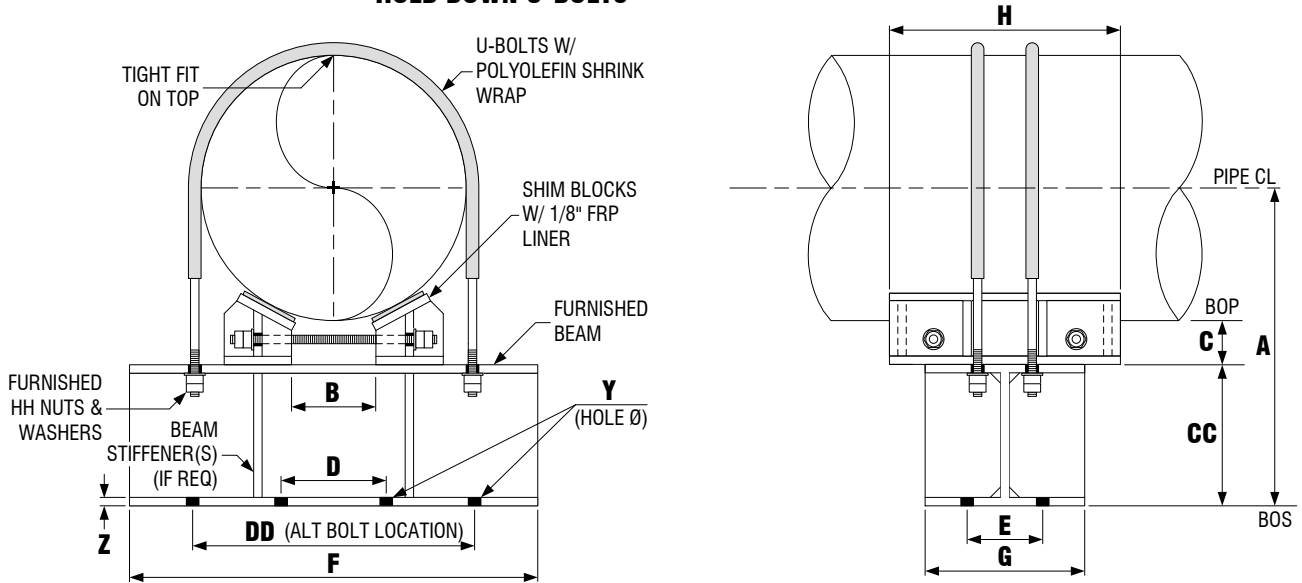
OPTION CODES

- AX - SHIM AXIAL STOPS
- GE - 1/2" GUIDE GAP
- NF - FRP/EPOXY BY CUSTOMER

NOTES

1. FRP SHIELD FURNISHED PRE-ROUGHENED W/ EPOXY

FIGURE 2201 SHIM BLOCKS, BEAM, HOLD DOWN U-BOLTS



NPS	A	B	C	CC	D	DD	E	F	G	H	Y	Z
2"	1'-0 5/16"	1/8"	3 1/8"	8"	4"	10"	5 1/2"	1'-1"	8"	10"	3/4"	7/16"
3"	1'-1"	1/4"	3 1/4"	8"	4"	10"	5 1/2"	1'-1"	8"	10"	3/4"	7/16"
4"	1'-1 7/16"	3/4"	3 3/16"	8"	4"	10"	5 1/2"	1'-1"	8"	10"	3/4"	7/16"
6"	1'-3 1/4"	13/16"	3 15/16"	8"	4"	10"	5 1/2"	1'-3"	8"	1'-1"	3/4"	7/16"
8"	1'-4 1/8"	1 13/16"	3 13/16"	8"	4"	1'-0"	5 1/2"	1'-5"	8"	1'-1"	1"	7/16"
10"	1'-5 1/8"	2 11/16"	3 3/4"	8"	4"	1'-0"	5 1/2"	1'-7"	8"	1'-1"	1 1/8"	7/16"
12"	1'-6 3/16"	2 7/8"	3 13/16"	8"	4"	1'-0"	5 1/2"	1'-10"	8"	1'-1"	1 1/8"	7/16"
14"	1'-10 15/16"	3 1/4"	3 13/16"	1'-0 1/8"	4"	1'-0"	5 1/2"	2'-2"	1'-0"	1'-1"	1 1/8"	5/8"
16"	1'-11 3/4"	4 7/16"	3 5/8"	1'-0 1/8"	7"	1'-6"	5 1/2"	2'-4"	1'-0"	1'-1"	1 1/8"	5/8"
18"	2'-0 5/8"	5 3/8"	3 1/2"	1'-0 1/8"	7"	1'-6"	5 1/2"	2'-6"	1'-0"	1'-1"	1 1/8"	5/8"
20"	2'-2 11/16"	3 9/16"	4 9/16"	1'-0 1/8"	7"	1'-6"	5 1/2"	2'-8"	1'-0"	1'-5"	1 1/8"	5/8"
24"	2'-4 5/16"	5 7/8"	4 3/16"	1'-0 1/8"	8"	2'-0"	5 1/2"	3'-0"	1'-0"	1'-5"	1 1/8"	5/8"
30"	2'-8 3/16"	5 7/16"	5 1/16"	1'-0 1/8"	8"	2'-0"	5 1/2"	3'-7"	1'-0"	1'-7"	1 1/4"	5/8"
36"	2'-10 13/16"	8 5/16"	4 11/16"	1'-0 1/8"	8"	2'-0"	5 1/2"	4'-1"	1'-0"	1'-7"	1 1/4"	5/8"
42"	3'-2 5/8"	9 5/8"	5 1/2"	1'-0 1/8"	8"	2'-0"	5 1/2"	4'-8"	1'-0"	1'-9"	1 1/2"	5/8"

HOW TO ORDER

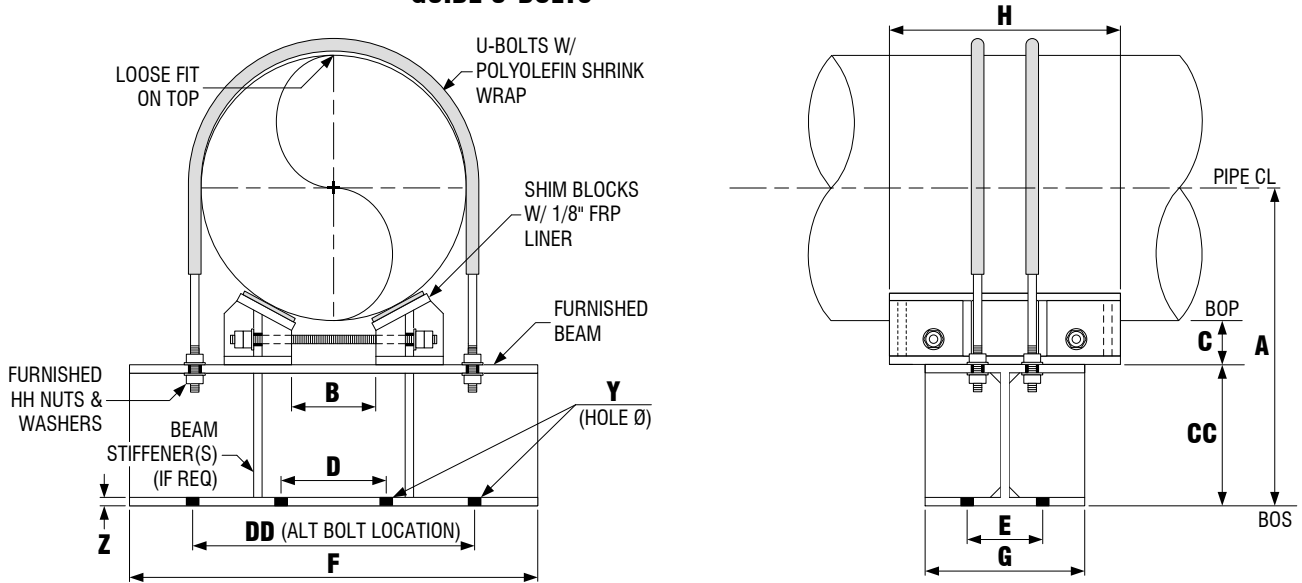
FIGURE # PIPE NPS OPTIONS
HPS-2201 - -

OPTION CODES

AX - SHIM AXIAL STOPS

EXAMPLE: HPS-2201-20"

FIGURE 2202 SHIM BLOCKS, BEAM, GUIDE U-BOLTS



NPS	A	B	C	CC	D	DD	E	F	G	H	Y	Z
2"	1'-0 5/16"	1/8"	3 1/8"	8"	4"	10"	5 1/2"	1'-1"	8"	10"	3/4"	7/16"
3"	1'-1"	1/4"	3 1/4"	8"	4"	10"	5 1/2"	1'-1"	8"	10"	3/4"	7/16"
4"	1'-1 7/16"	3/4"	3 3/16"	8"	4"	10"	5 1/2"	1'-1"	8"	10"	3/4"	7/16"
6"	1'-3 1/4"	13/16"	3 15/16"	8"	4"	10"	5 1/2"	1'-3"	8"	1'-1"	3/4"	7/16"
8"	1'-4 1/8"	1 13/16"	3 13/16"	8"	4"	1'-0"	5 1/2"	1'-5"	8"	1'-1"	1"	7/16"
10"	1'-5 1/8"	2 11/16"	3 3/4"	8"	4"	1'-0"	5 1/2"	1'-7"	8"	1'-1"	1 1/8"	7/16"
12"	1'-6 3/16"	2 7/8"	3 13/16"	8"	4"	1'-0"	5 1/2"	1'-10"	8"	1'-1"	1 1/8"	7/16"
14"	1'-10 15/16"	3 1/4"	3 13/16"	1'-0 1/8"	4"	1'-0"	5 1/2"	2'-2"	1'-0"	1'-1"	1 1/8"	5/8"
16"	1'-11 3/4"	4 7/16"	3 5/8"	1'-0 1/8"	7"	1'-6"	5 1/2"	2'-4"	1'-0"	1'-1"	1 1/8"	5/8"
18"	2'-0 5/8"	5 3/8"	3 1/2"	1'-0 1/8"	7"	1'-6"	5 1/2"	2'-6"	1'-0"	1'-1"	1 1/8"	5/8"
20"	2'-2 11/16"	3 9/16"	4 9/16"	1'-0 1/8"	7"	1'-6"	5 1/2"	2'-8"	1'-0"	1'-5"	1 1/8"	5/8"
24"	2'-4 5/16"	5 7/8"	4 3/16"	1'-0 1/8"	8"	2'-0"	5 1/2"	3'-0"	1'-0"	1'-5"	1 1/8"	5/8"
30"	2'-8 3/16"	5 7/16"	5 1/16"	1'-0 1/8"	8"	2'-0"	5 1/2"	3'-7"	1'-0"	1'-7"	1 1/4"	5/8"
36"	2'-10 13/16"	8 5/16"	4 11/16"	1'-0 1/8"	8"	2'-0"	5 1/2"	4'-1"	1'-0"	1'-7"	1 1/4"	5/8"
42"	3'-2 5/8"	9 5/8"	5 1/2"	1'-0 1/8"	8"	2'-0"	5 1/2"	4'-8"	1'-0"	1'-9"	1 1/2"	5/8"

HOW TO ORDER

FIGURE # PIPE NPS OPTIONS
HPS-2202 - -

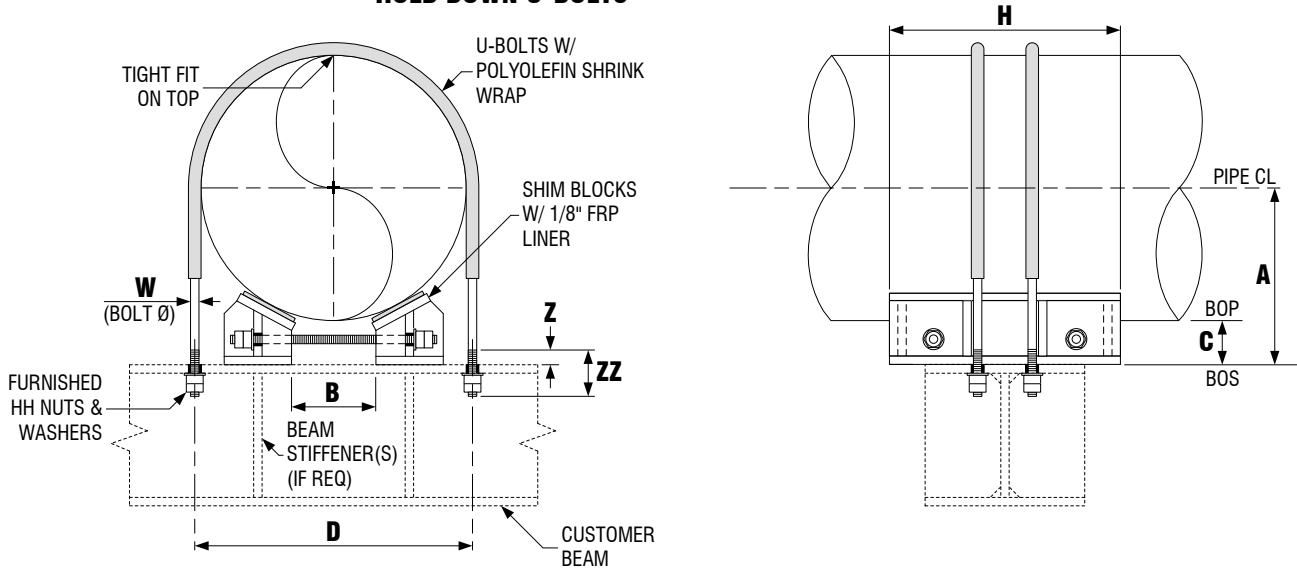
OPTION CODES

AX - SHIM AXIAL STOPS

EXAMPLE: HPS-2202-20"

FIGURE 2203

SHIM BLOCKS, HOLD DOWN U-BOLTS



NPS	A	B	C	D	H	W	Z	ZZ
2"	4 5/16"	1/8"	3 1/8"	2 15/16"	10"	3/8"	1 1/4"	3 7/8"
3"	5"	1/4"	3 1/4"	4 1/16"	10"	1/2"	1 1/2"	4 1/2"
4"	5 7/16"	3/4"	3 3/16"	5 1/16"	10"	1/2"	1 1/2"	4 1/2"
6"	7 1/4"	13/16"	3 15/16"	7 3/8"	1'-1"	5/8"	1 5/8"	4 7/8"
8"	8 1/8"	1 13/16"	3 13/16"	9 3/8"	1'-1"	5/8"	1 5/8"	4 7/8"
10"	9 1/8"	2 11/16"	3 3/4"	11 5/8"	1'-1"	3/4"	1 7/8"	5 1/2"
12"	10 3/16"	2 7/8"	3 13/16"	1'-1 3/4"	1'-1"	7/8"	2 1/8"	6 1/8"
14"	10 13/16"	3 1/4"	3 13/16"	1'-3"	1'-1"	7/8"	2 1/8"	6 1/8"
16"	11 5/8"	4 7/16"	3 5/8"	1'-5"	1'-1"	7/8"	2 1/8"	6 1/8"
18"	1'-0 1/2"	5 3/8"	3 1/2"	1'-7 1/8"	1'-1"	1"	2 1/4"	6 1/2"
20"	1'-2 9/16"	3 9/16"	4 9/16"	1'-9 1/8"	1'-5"	1"	2 1/4"	6 1/2"
24"	1'-4 3/16"	5 7/8"	4 3/16"	2'-1 1/8"	1'-5"	1"	2 1/4"	6 1/2"
30"	1'-8 1/16"	5 7/16"	5 1/16"	2'-7 1/8"	1'-7"	1"	2 1/4"	6 1/2"
36"	1'-10 11/16"	8 5/16"	4 11/16"	3'-1 1/8"	1'-7"	1"	2 1/4"	6 1/2"
42"	2'-2 1/2"	9 5/8"	5 1/2"	3'-7 1/8"	1'-9"	1"	2 1/4"	6 1/2"

HOW TO ORDER

FIGURE # PIPE NPS OPTIONS
 - -

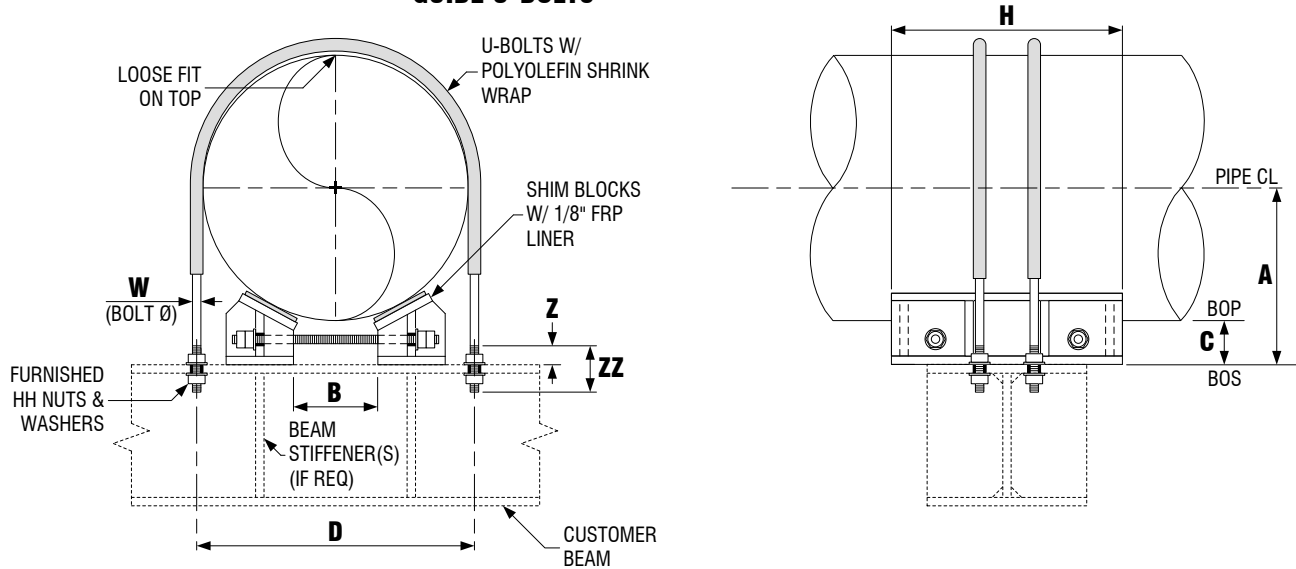
OPTION CODES

AX - SHIM AXIAL STOPS

EXAMPLE: HPS-2203-20"

FIGURE 2204

**SHIM BLOCKS,
GUIDE U-BOLTS**



NPS	A	B	C	D	H	W	Z	ZZ
10"	9 1/8"	2 11/16"	3 3/4"	11 5/8"	1'-1"	3/4"	2 1/8"	5 1/2"
12"	10 3/16"	2 7/8"	3 13/16"	1'-1 3/4"	1'-1"	7/8"	2 3/8"	6 1/8"
14"	10 13/16"	3 1/4"	3 13/16"	1'-3"	1'-1"	7/8"	2 3/8"	6 1/8"
16"	11 5/8"	4 7/16"	3 5/8"	1'-5"	1'-1"	7/8"	2 3/8"	6 1/8"
18"	1'-0 1/2"	5 3/8"	3 1/2"	1'-7 1/8"	1'-1"	1"	2 1/2"	6 1/2"
20"	1'-2 9/16"	3 9/16"	4 9/16"	1'-9 1/8"	1'-5"	1"	2 1/2"	6 1/2"
24"	1'-4 3/16"	5 7/8"	4 3/16"	2'-1 1/8"	1'-5"	1"	2 1/2"	6 1/2"
30"	1'-8 1/16"	5 7/16"	5 1/16"	2'-7 1/8"	1'-7"	1"	2 1/2"	6 1/2"
36"	1'-10 11/16"	8 5/16"	4 11/16"	3'-1 1/8"	1'-7"	1"	2 1/2"	6 1/2"
42"	2'-2 1/2"	9 5/8"	5 1/2"	3'-7 1/8"	1'-9"	1"	2 1/4"	6 1/2"

HOW TO ORDER

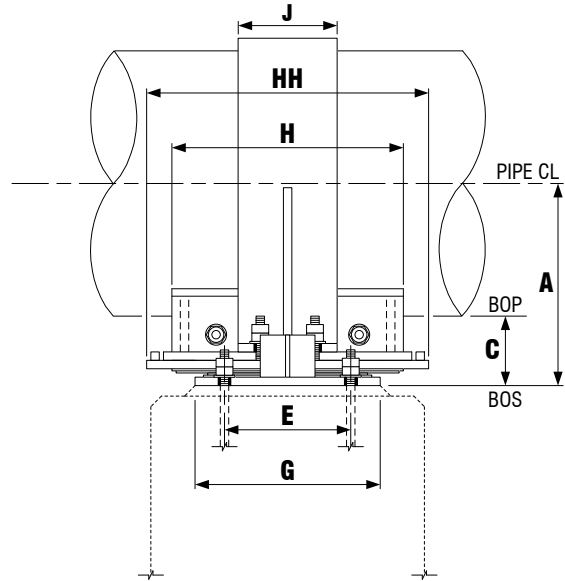
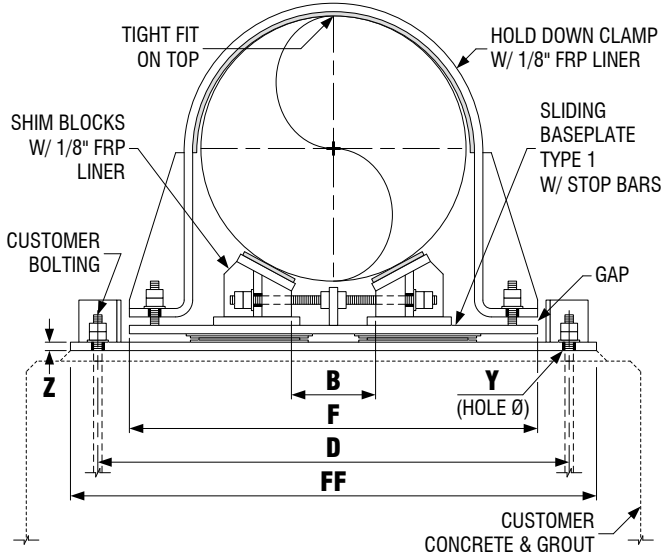
FIGURE # PIPE NPS OPTIONS
 - -

OPTION CODES

AX - SHIM AXIAL STOPS

EXAMPLE: HPS-2204-20"

FIGURE 2301 SHIM BLOCKS SLIDING BASEPLATE TYPE 1, HOLD DOWN CLAMP



NPS	A	B	C	D	E	F	FF	G	H	HH	J	Y	Z
12"	11 11/16"	2 7/8"	5 5/16"	2'-4"	9 1/2"	1'-10"	2'-8 1/2"	1'-2"	1'-1"	1'-3 1/4"	6"	1 1/4"	1/2"
14"	1'-0 5/16"	3 1/4"	5 5/16"	2'-8"	9 1/2"	2'-2"	3'-0 1/2"	1'-2"	1'-1"	1'-3 1/4"	6"	1 1/4"	1/2"
16"	1'-1 1/8"	4 7/16"	5 1/8"	2'-10"	9 1/2"	2'-4"	3'-2 1/2"	1'-2"	1'-1"	1'-3 1/4"	8"	1 1/4"	1/2"
18"	1'-2"	5 3/8"	5"	3'-0"	9 1/2"	2'-6"	3'-4 1/2"	1'-2"	1'-1"	1'-3 1/4"	8"	1 1/4"	1/2"
20"	1'-4 1/16"	3 9/16"	6 1/16"	3'-2"	9 1/2"	2'-8"	3'-6 1/2"	1'-2"	1'-5"	1'-7 1/4"	8"	1 1/4"	1/2"
24"	1'-5 11/16"	5 7/8"	5 11/16"	3'-6"	9 1/2"	3'-0"	3'-10 1/2"	1'-2"	1'-5"	1'-7 1/4"	8"	1 1/4"	1/2"
30"	1'-9 9/16"	5 7/16"	6 9/16"	4'-1"	1'-3 1/2"	3'-7"	4'-5 1/2"	1'-8"	1'-7"	1'-9 1/4"	11"	1 1/2"	1/2"
36"	2'-0 3/16"	8 5/16"	6 3/16"	4'-7"	1'-3 1/2"	4'-1"	4'-11 1/2"	1'-8"	1'-7"	1'-9 1/4"	11"	1 1/2"	1/2"
42"	2'-4"	9 5/8"	7"	5'-2"	1'-6 1/2"	4'-8"	5'-6 1/2"	1'-11"	1'-9"	1'-11 1/4"	1'-0"	1 3/4"	1/2"

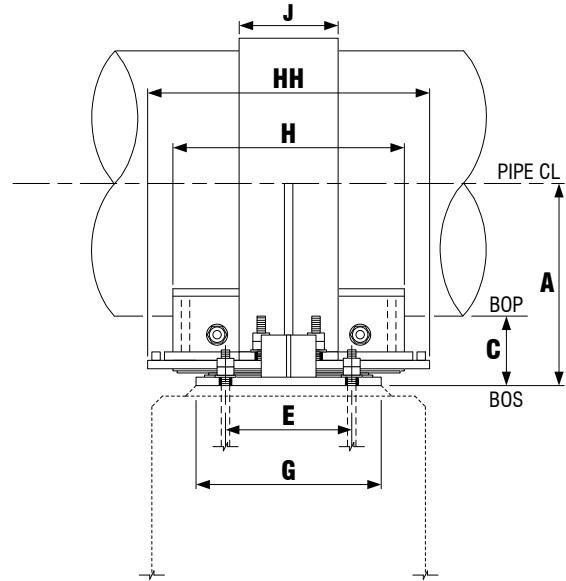
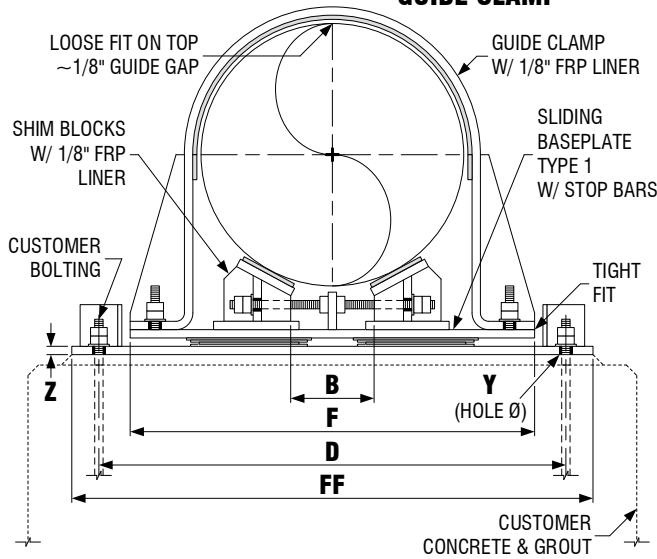
HOW TO ORDER

FIGURE # PIPE NPS OPTIONS

HPS-2301 - -

EXAMPLE: HPS-2301-20"

FIGURE 2302 SHIM BLOCKS, SLIDING BASEPLATE TYPE 1, GUIDE CLAMP



NPS	A	B	C	D	E	F	FF	G	H	HH	J	Y	Z
12"	11 11/16"	2 7/8"	5 5/16"	2'-4"	9 1/2"	1'-10"	2'-8 1/2"	1'-2"	1'-1"	1'-3 1/4"	6"	1 1/4"	1/2"
14"	1'-0 5/16"	3 1/4"	5 5/16"	2'-8"	9 1/2"	2'-2"	3'-0 1/2"	1'-2"	1'-1"	1'-3 1/4"	6"	1 1/4"	1/2"
16"	1'-1 1/8"	4 7/16"	5 1/8"	2'-10"	9 1/2"	2'-4"	3'-2 1/2"	1'-2"	1'-1"	1'-3 1/4"	8"	1 1/4"	1/2"
18"	1'-2"	5 3/8"	5"	3'-0"	9 1/2"	2'-6"	3'-4 1/2"	1'-2"	1'-1"	1'-3 1/4"	8"	1 1/4"	1/2"
20"	1'-4 1/16"	3 9/16"	6 1/16"	3'-2"	9 1/2"	2'-8"	3'-6 1/2"	1'-2"	1'-5"	1'-7 1/4"	8"	1 1/4"	1/2"
24"	1'-5 11/16"	5 7/8"	5 11/16"	3'-6"	9 1/2"	3'-0"	3'-10 1/2"	1'-2"	1'-5"	1'-7 1/4"	8"	1 1/4"	1/2"
30"	1'-9 9/16"	5 7/16"	6 9/16"	4'-1"	1'-3 1/2"	3'-7"	4'-5 1/2"	1'-8"	1'-7"	1'-9 1/4"	11"	1 1/2"	1/2"
36"	2'-0 3/16"	8 5/16"	6 3/16"	4'-7"	1'-3 1/2"	4'-1"	4'-11 1/2"	1'-8"	1'-7"	1'-9 1/4"	11"	1 1/2"	1/2"
42"	2'-4"	9 5/8"	7"	5'-2"	1'-6 1/2"	4'-8"	5'-6 1/2"	1'-11"	1'-9"	1'-11 1/4"	1'-0"	1 3/4"	1/2"

HOW TO ORDER

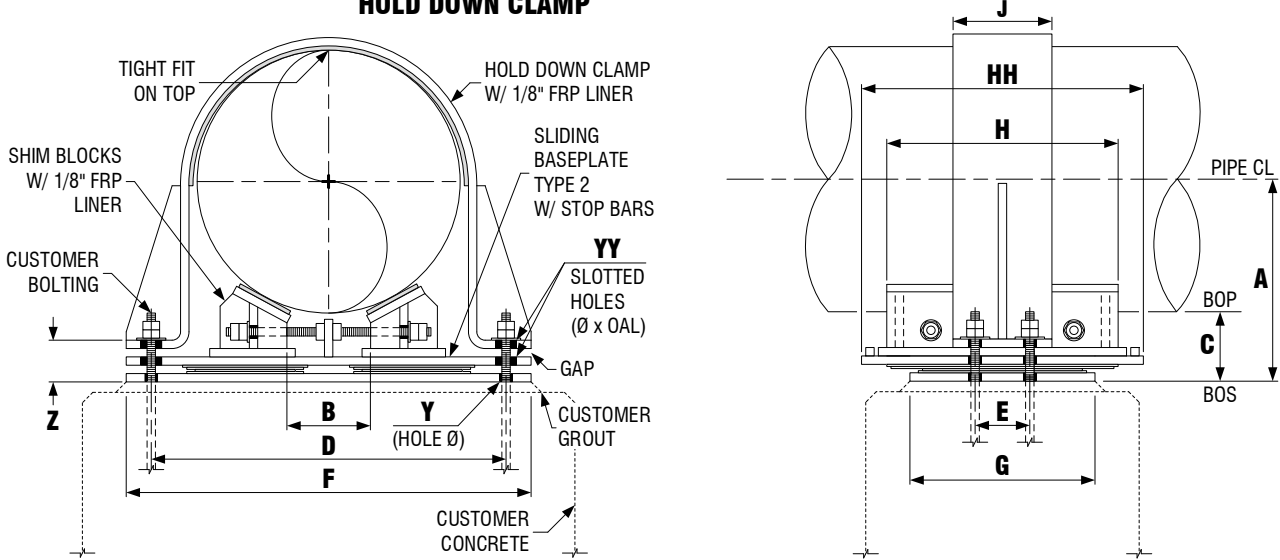
FIGURE # PIPE NPS OPTIONS
 - -

OPTION CODES

GE - 1/2" GUIDE GAP

EXAMPLE: HPS-2302-20"

FIGURE 2303 SHIM BLOCKS, SLIDING BASEPLATE TYPE 2, HOLD DOWN CLAMP



NPS	A	B	C	D	E	F	G	H	HH	J	Y	YY	Z
12"	11 11/16"	2 7/8"	5 5/16"	1'-6"	3 1/2"	1'-10"	1'-2"	1'-1"	1'-3 1/4"	6"	1 1/4"	1 1/4" x 2 1/4"	2 1/2"
14"	1'-0 5/16"	3 1/4"	5 5/16"	1'-10"	3 1/2"	2'-2"	1'-2"	1'-1"	1'-3 1/4"	6"	1 1/4"	1 1/4" x 2 1/4"	2 1/2"
16"	1'-1 1/8"	4 7/16"	5 1/8"	2'-0"	3 1/2"	2'-4"	1'-2"	1'-1"	1'-3 1/4"	8"	1 1/4"	1 1/4" x 2 1/4"	2 1/2"
18"	1'-2"	5 3/8"	5"	2'-2"	3 1/2"	2'-6"	1'-2"	1'-1"	1'-3 1/4"	8"	1 1/4"	1 1/4" x 2 1/4"	2 1/2"
20"	1'-4 1/16"	3 9/16"	6 1/16"	2'-4"	4"	2'-8"	1'-2"	1'-5"	1'-7 1/4"	8"	1 1/4"	1 1/4" x 2 1/4"	2 5/8"
24"	1'-5 11/16"	5 7/8"	5 11/16"	2'-8"	4"	3'-0"	1'-2"	1'-5"	1'-7 1/4"	8"	1 1/4"	1 1/4" x 2 1/4"	2 5/8"
30"	1'-9 9/16"	5 7/16"	6 9/16"	3'-2"	7"	3'-7"	1'-8"	1'-7"	1'-9 1/4"	11"	1 1/2"	1 1/2" x 2 1/2"	2 5/8"
36"	2'-0 3/16"	8 5/16"	6 3/16"	3'-8"	7"	4'-1"	1'-8"	1'-7"	1'-9 1/4"	11"	1 1/2"	1 1/2" x 2 1/2"	2 5/8"
42"	2'-4"	9 5/8"	7"	4'-2"	7"	4'-8"	1'-11"	1'-9"	1'-11 1/4"	1'-0"	1 3/4"	1 3/4" x 3"	2 3/4"

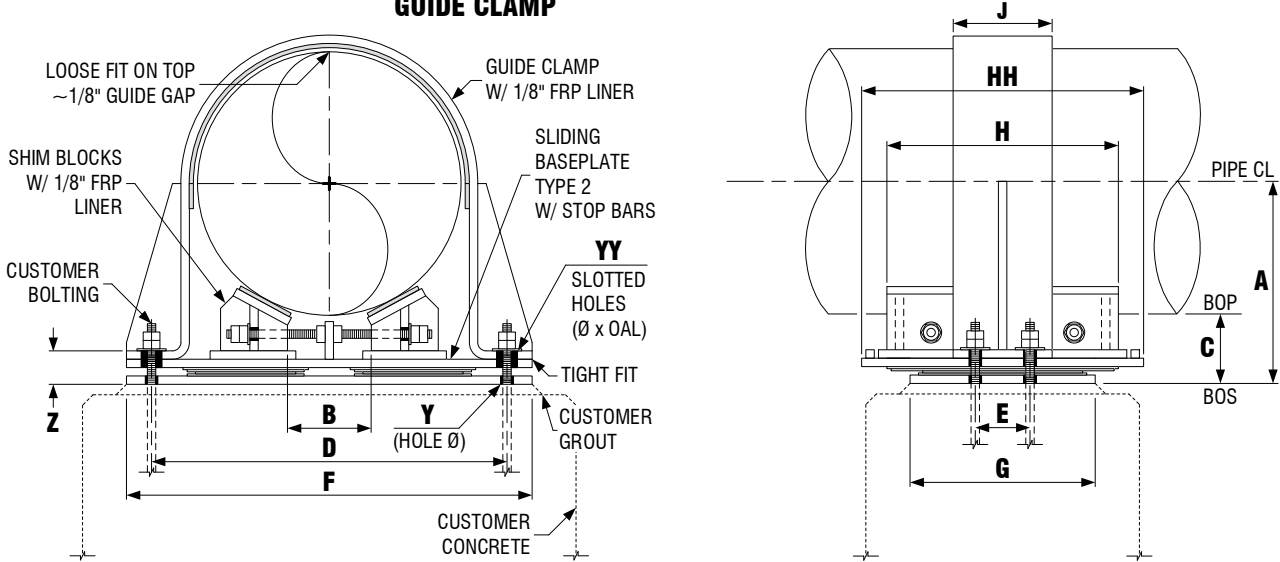
HOW TO ORDER

FIGURE # PIPE NPS OPTIONS

HPS-2303 - -

EXAMPLE: HPS-2303-20"

FIGURE 2304 SHIM BLOCKS, SLIDING BASEPLATE TYPE 2, GUIDE CLAMP



NPS	A	B	C	D	E	F	G	H	HH	J	Y	YY	Z
12"	11 11/16"	2 7/8"	5 5/16"	1'-6"	3 1/2"	1'-10"	1'-2"	1'-1"	1'-3 1/4"	6"	1 1/4"	1 1/4" x 2 1/4"	2"
14"	1'-0 5/16"	3 1/4"	5 5/16"	1'-10"	3 1/2"	2'-2"	1'-2"	1'-1"	1'-3 1/4"	6"	1 1/4"	1 1/4" x 2 1/4"	2"
16"	1'-1 1/8"	4 7/16"	5 1/8"	2'-0"	3 1/2"	2'-4"	1'-2"	1'-1"	1'-3 1/4"	8"	1 1/4"	1 1/4" x 2 1/4"	2"
18"	1'-2"	5 3/8"	5"	2'-2"	3 1/2"	2'-6"	1'-2"	1'-1"	1'-3 1/4"	8"	1 1/4"	1 1/4" x 2 1/4"	2"
20"	1'-4 1/16"	3 9/16"	6 1/16"	2'-4"	4"	2'-8"	1'-2"	1'-5"	1'-7 1/4"	8"	1 1/4"	1 1/4" x 2 1/4"	2 1/8"
24"	1'-5 11/16"	5 7/8"	5 11/16"	2'-8"	4"	3'-0"	1'-2"	1'-5"	1'-7 1/4"	8"	1 1/4"	1 1/4" x 2 1/4"	2 1/8"
30"	1'-9 9/16"	5 7/16"	6 9/16"	3'-2"	7"	3'-7"	1'-8"	1'-7"	1'-9 1/4"	11"	1 1/2"	1 1/2" x 2 1/2"	2 1/8"
36"	2'-0 3/16"	8 5/16"	6 3/16"	3'-8"	7"	4'-1"	1'-8"	1'-7"	1'-9 1/4"	11"	1 1/2"	1 1/2" x 2 1/2"	2 1/8"
42"	2'-4"	9 5/8"	7"	4'-2"	7"	4'-8"	1'-11"	1'-9"	1'-11 1/4"	1'-0"	1 3/4"	1 3/4" x 3"	2 1/4"

HOW TO ORDER

FIGURE # PIPE NPS OPTIONS

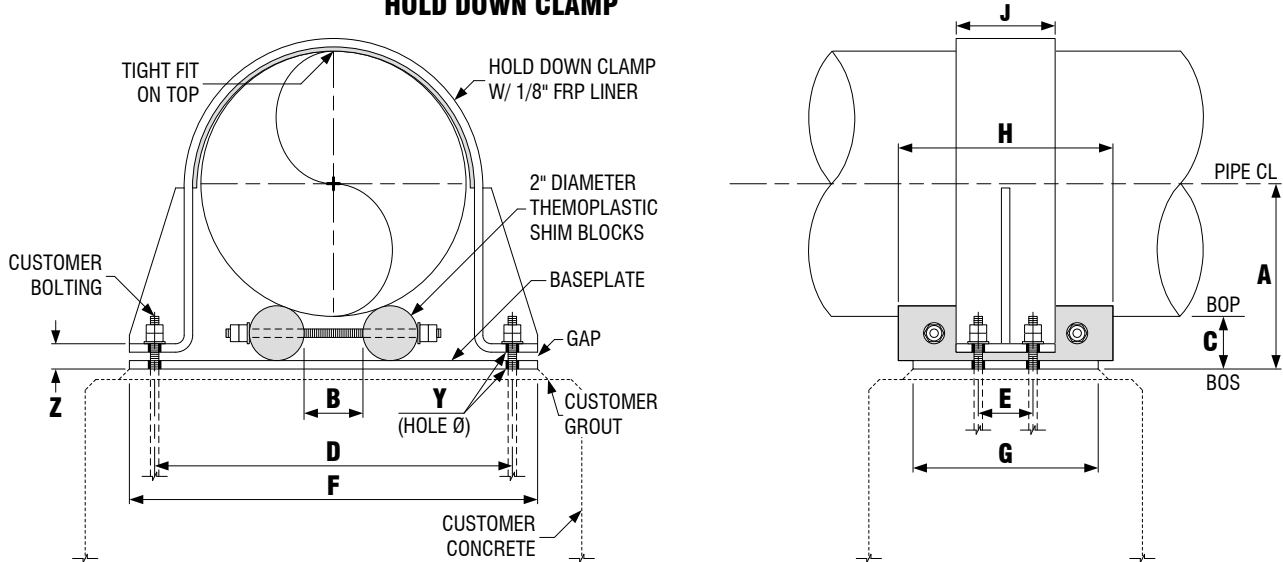
HPS-2304 - -

EXAMPLE: HPS-2304-20"

OPTION CODES

GE - 1/2" GUIDE GAP

FIGURE 2501 2" PLASTIC SHIM BLOCKS, BASEPLATE, HOLD DOWN CLAMP



NPS	A	B	C	D	E	F	G	H	J	Y	Z
4"	4 3/8"	1/2"	2 1/8"	10"	3 1/2"	1'-1"	10"	1'-0"	6"	7/8"	1 1/8"
6"	5 7/16"	15/16"	2 1/8"	1'-0"	3 1/2"	1'-3"	10"	1'-0"	6"	7/8"	1 1/4"
8"	6 7/16"	1 3/16"	2 1/8"	1'-2"	3 1/2"	1'-5"	10"	1'-0"	6"	1 1/8"	1 3/8"
10"	7 5/8"	7/16"	2 1/4"	1'-4"	3 1/2"	1'-7"	10"	1'-0"	6"	1 1/4"	1 3/8"
12"	8 5/8"	11/16"	2 1/4"	1'-6"	3 1/2"	1'-10"	10"	1'-0"	6"	1 1/4"	1 3/8"
14"	9 1/4"	3/4"	2 1/4"	1'-10"	3 1/2"	2'-2"	10"	1'-0"	6"	1 1/4"	1 3/8"

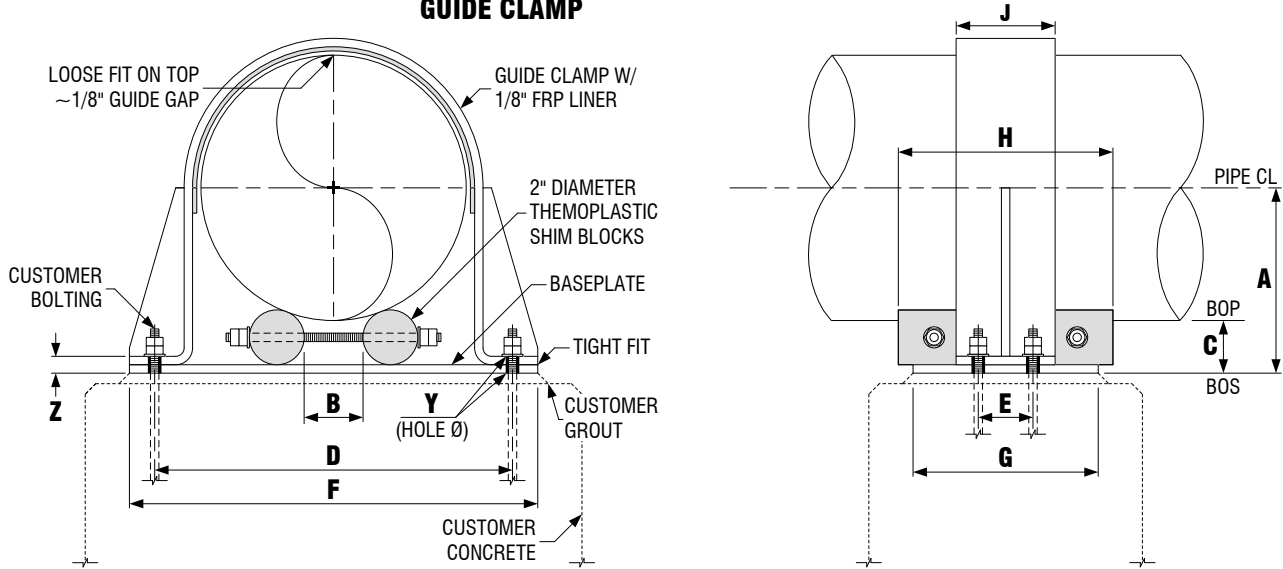
HOW TO ORDER

FIGURE # PIPE NPS OPTIONS

HPS-2501 - -

EXAMPLE: HPS-2501-12"

FIGURE 2502 2" PLASTIC SHIM BLOCKS, BASEPLATE, GUIDE CLAMP



NPS	A	B	C	D	E	F	G	H	J	Y	Z
4"	4 3/8"	1/2"	2 1/8"	10"	3 1/2"	1'-1"	10"	1'-0"	6"	7/8"	5/8"
6"	5 7/16"	15/16"	2 1/8"	1'-0"	3 1/2"	1'-3"	10"	1'-0"	6"	7/8"	3/4"
8"	6 7/16"	1 3/16"	2 1/8"	1'-2"	3 1/2"	1'-5"	10"	1'-0"	6"	1 1/8"	7/8"
10"	7 5/8"	7/16"	2 1/4"	1'-4"	3 1/2"	1'-7"	10"	1'-0"	6"	1 1/4"	7/8"
12"	8 5/8"	11/16"	2 1/4"	1'-6"	3 1/2"	1'-10"	10"	1'-0"	6"	1 1/4"	7/8"
14"	9 1/4"	3/4"	2 1/4"	1'-10"	3 1/2"	2'-2"	10"	1'-0"	6"	1 1/4"	7/8"

HOW TO ORDER

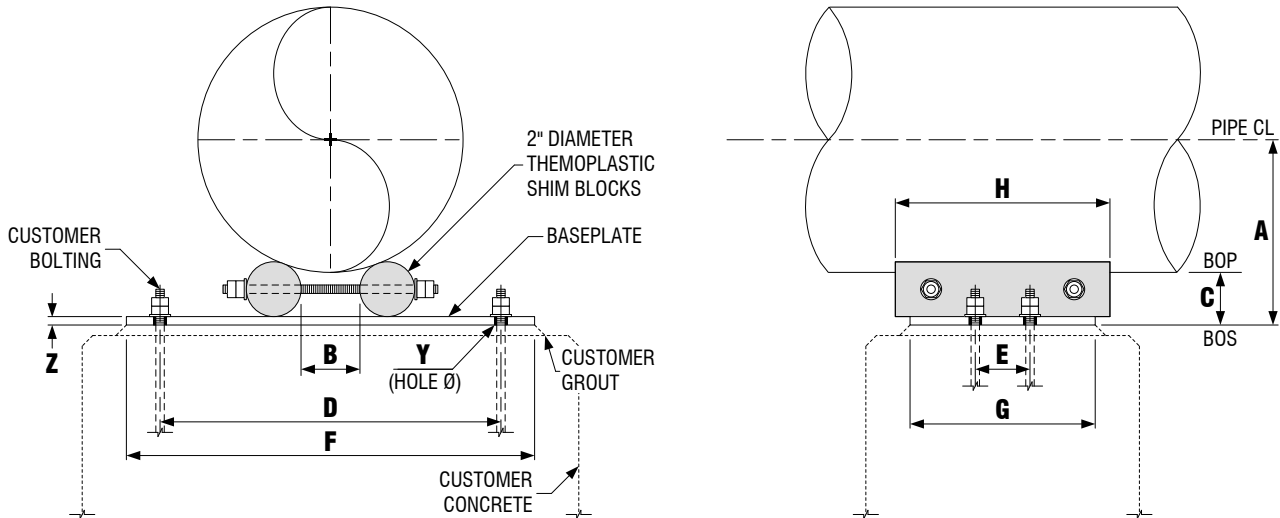
FIGURE # PIPE NPS OPTIONS
HPS-2502 - -

OPTION CODES

GE - 1/2" GUIDE GAP

EXAMPLE: HPS-2502-12"

**FIGURE 2503 2" PLASTIC SHIM BLOCKS,
BASEPLATE**



NPS	A	B	C	D	E	F	G	H	Y	Z
2"	3 5/16"	0"	2 1/8"	8 5/8"	3 1/2"	11 5/8"	10"	1'-0"	7/8"	3/8"
3"	3 15/16"	1/8"	2 3/16"	10"	3 1/2"	1'-1"	10"	1'-0"	7/8"	3/8"
4"	4 3/8"	1/2"	2 1/8"	10"	3 1/2"	1'-1"	10"	1'-0"	7/8"	3/8"
6"	5 7/16"	15/16"	2 1/8"	1'-0"	3 1/2"	1'-3"	10"	1'-0"	7/8"	3/8"
8"	6 7/16"	1 3/16"	2 1/8"	1'-2"	3 1/2"	1'-5"	10"	1'-0"	1 1/8"	3/8"
10"	7 5/8"	7/16"	2 1/4"	1'-4"	3 1/2"	1'-7"	10"	1'-0"	1 1/4"	3/8"
12"	8 5/8"	11/16"	2 1/4"	1'-6"	3 1/2"	1'-10"	10"	1'-0"	1 1/4"	3/8"
14"	9 1/4"	3/4"	2 1/4"	1'-10"	3 1/2"	2'-2"	10"	1'-0"	1 1/4"	3/8"

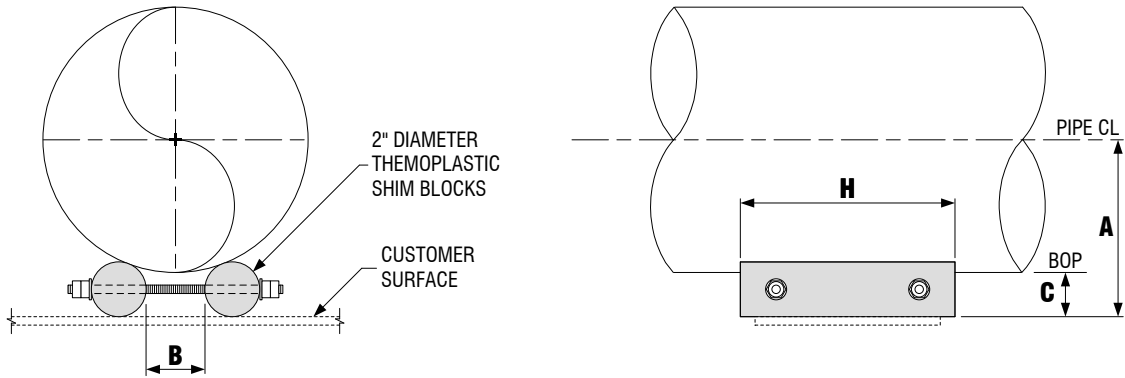
HOW TO ORDER

FIGURE # PIPE NPS OPTIONS

HPS-2503 - -

EXAMPLE: HPS-2503-12"

FIGURE 2504 2" PLASTIC SHIM BLOCKS



NPS	A	B	C	H
2"	2 15/16"	0"	1 3/4"	1'-0"
3"	3 9/16"	1/8"	1 13/16"	1'-0"
4"	4"	1/2"	1 3/4"	1'-0"
6"	5 1/16"	15/16"	1 3/4"	1'-0"
8"	6 1/16"	1 3/16"	1 3/4"	1'-0"
10"	7 1/4"	7/16"	1 7/8"	1'-0"
12"	8 1/4"	11/16"	1 7/8"	1'-0"
14"	8 7/8"	3/4"	1 7/8"	1'-0"

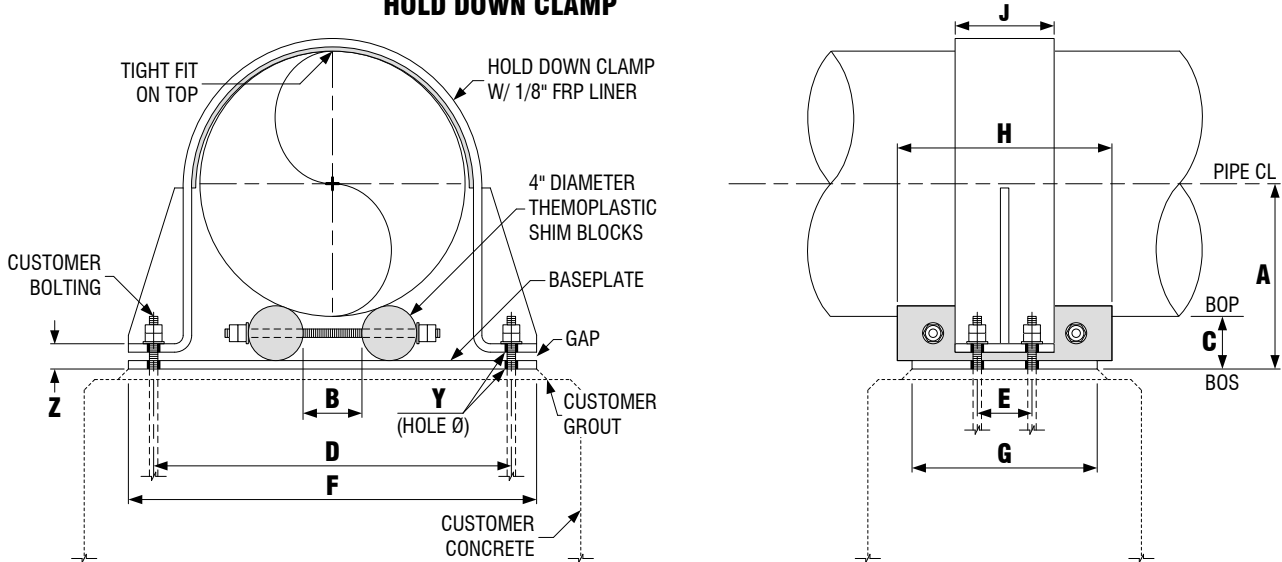
HOW TO ORDER

FIGURE # PIPE NPS OPTIONS

HPS-2504 - -

EXAMPLE: HPS-2504-12"

FIGURE 2521 4" PLASTIC SHIM BLOCKS, BASEPLATE, HOLD DOWN CLAMP



NPS	A	B	C	D	E	F	G	H	J	Y	Z
10"	9 3/16"	1 5/8"	3 13/16"	1'-4"	3 1/2"	1'-7"	10"	1'-0"	6"	1 1/4"	1 3/8"
12"	10 1/8"	2 7/16"	3 3/4"	1'-6"	3 1/2"	1'-10"	10"	1'-0"	6"	1 1/4"	1 3/8"
14"	10 11/16"	2 7/8"	3 11/16"	1'-10"	3 1/2"	2'-2"	10"	1'-0"	6"	1 1/4"	1 3/8"
16"	11 5/8"	3 5/8"	3 5/8"	2'-0"	3 1/2"	2'-4"	10"	1'-1"	8"	1 1/4"	1 3/8"
18"	1'-0 9/16"	4 7/16"	3 9/16"	2'-2"	3 1/2"	2'-6"	10"	1'-1"	8"	1 1/4"	1 3/8"
20"	1'-1 7/16"	5 3/16"	3 7/16"	2'-4"	4"	2'-8"	1'-2"	1'-3"	8"	1 1/4"	1 1/2"
24"	1'-3 5/16"	6 11/16"	3 5/16"	2'-8"	4"	3'-0"	1'-2"	1'-3"	8"	1 1/4"	1 1/2"
30"	1'-6 3/8"	7 5/8"	3 3/8"	3'-2"	7"	3'-7"	1'-4"	1'-6"	11"	1 1/2"	1 1/2"
36"	1'-9 9/16"	8"	3 9/16"	3'-8"	7"	4'-1"	1'-4"	1'-6"	11"	1 1/2"	1 5/8"
42"	2'-0 11/16"	7 15/16"	3 11/16"	4'-2"	7"	4'-8"	1'-6"	1'-9"	1'-0"	1 3/4"	1 3/4"

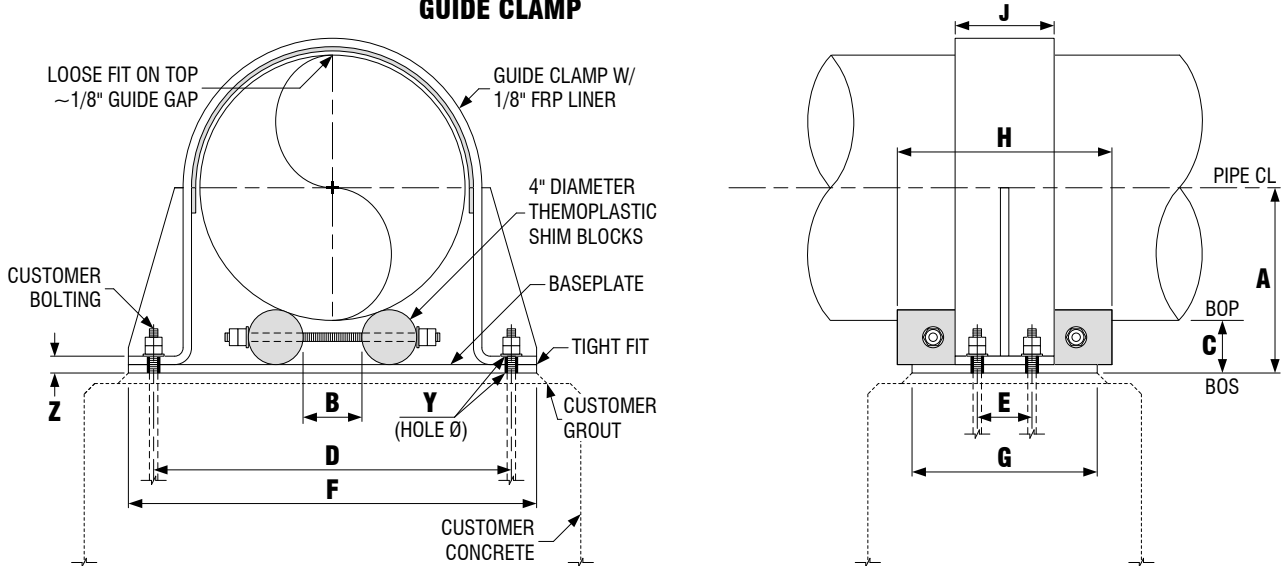
HOW TO ORDER

FIGURE # PIPE NPS OPTIONS

HPS-2521 - -

EXAMPLE: HPS-2521-12"

**FIGURE 2522 4" PLASTIC SHIM BLOCKS,
BASEPLATE,
GUIDE CLAMP**



NPS	A	B	C	D	E	F	G	H	J	Y	Z
10"	9 3/16"	1 5/8"	3 13/16"	1'-4"	3 1/2"	1'-7"	10"	1'-0"	6"	1 1/4"	7/8"
12"	10 1/8"	2 7/16"	3 3/4"	1'-6"	3 1/2"	1'-10"	10"	1'-0"	6"	1 1/4"	7/8"
14"	10 11/16"	2 7/8"	3 11/16"	1'-10"	3 1/2"	2'-2"	10"	1'-0"	6"	1 1/4"	7/8"
16"	11 5/8"	3 5/8"	3 5/8"	2'-0"	3 1/2"	2'-4"	10"	1'-1"	8"	1 1/4"	7/8"
18"	1'-0 9/16"	4 7/16"	3 9/16"	2'-2"	3 1/2"	2'-6"	10"	1'-1"	8"	1 1/4"	7/8"
20"	1'-1 7/16"	5 3/16"	3 7/16"	2'-4"	4"	2'-8"	1'-2"	1'-3"	8"	1 1/4"	1"
24"	1'-3 5/16"	6 11/16"	3 5/16"	2'-8"	4"	3'-0"	1'-2"	1'-3"	8"	1 1/4"	1"
30"	1'-6 3/8"	7 5/8"	3 3/8"	3'-2"	7"	3'-7"	1'-4"	1'-6"	11"	1 1/2"	1"
36"	1'-9 9/16"	8"	3 9/16"	3'-8"	7"	4'-1"	1'-4"	1'-6"	11"	1 1/2"	1 1/8"
42"	2'-0 11/16"	7 15/16"	3 11/16"	4'-2"	7"	4'-8"	1'-6"	1'-9"	1'-0"	1 3/4"	1 1/4"

HOW TO ORDER

FIGURE # PIPE NPS OPTIONS

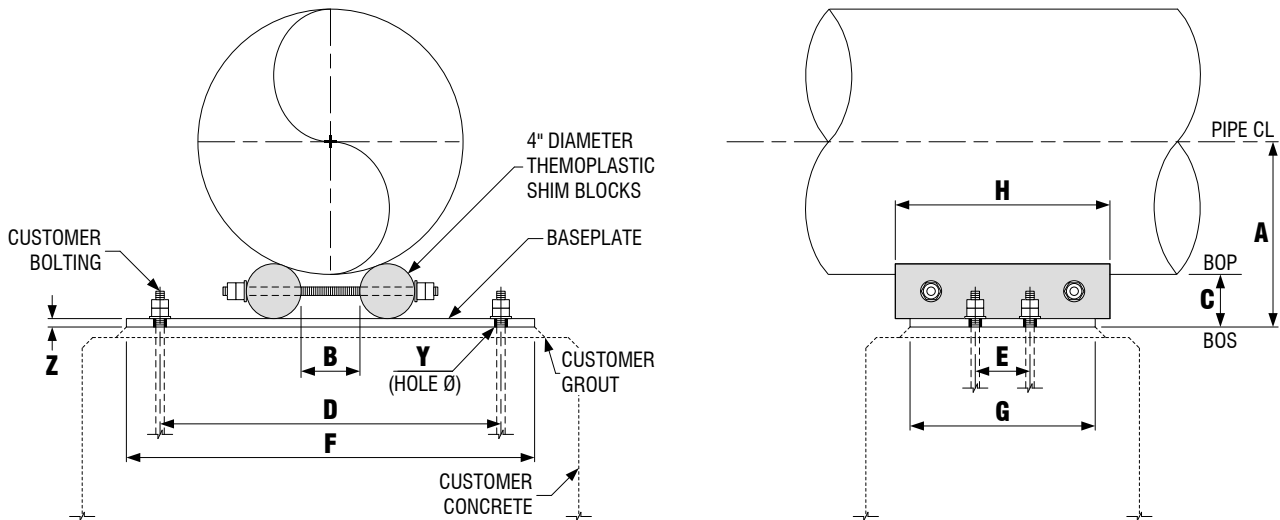
HPS-2522 - -

EXAMPLE: HPS-2522-12"

OPTION CODES

GE - 1/2" GUIDE GAP

**FIGURE 2523 4" PLASTIC SHIM BLOCKS,
BASEPLATE**



NPS	A	B	C	D	E	F	G	H	Z
10"	9 3/16"	1 5/8"	3 13/16"	1'-4"	3 1/2"	1'-7"	10"	1'-0"	3/8"
12"	10 1/8"	2 7/16"	3 3/4"	1'-6"	3 1/2"	1'-10"	10"	1'-0"	3/8"
14"	10 11/16"	2 7/8"	3 11/16"	1'-10"	3 1/2"	2'-2"	10"	1'-0"	3/8"
16"	11 5/8"	3 5/8"	3 5/8"	2'-0"	3 1/2"	2'-4"	10"	1'-1"	3/8"
18"	1'-0 9/16"	4 7/16"	3 9/16"	2'-2"	3 1/2"	2'-6"	10"	1'-1"	3/8"
20"	1'-1 7/16"	5 3/16"	3 7/16"	2'-4"	4"	2'-8"	1'-2"	1'-3"	3/8"
24"	1'-3 5/16"	6 11/16"	3 5/16"	2'-8"	4"	3'-0"	1'-2"	1'-3"	3/8"
30"	1'-6 3/8"	7 5/8"	3 3/8"	3'-2"	7"	3'-7"	1'-4"	1'-6"	3/8"
36"	1'-9 9/16"	8"	3 9/16"	3'-8"	7"	4'-1"	1'-4"	1'-6"	1/2"
42"	2'-0 11/16"	7 15/16"	3 11/16"	4'-2"	7"	4'-8"	1'-6"	1'-9"	1/2"

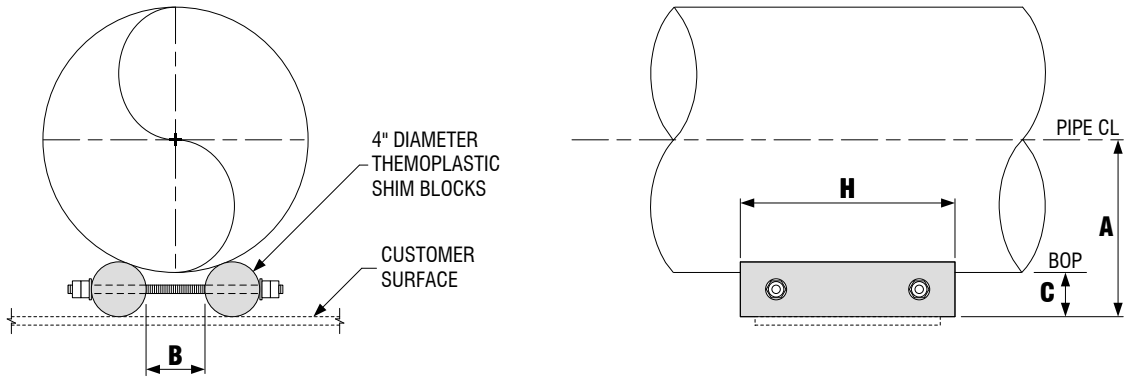
HOW TO ORDER

FIGURE # PIPE NPS OPTIONS

HPS-2523 - -

EXAMPLE: HPS-2523-12"

FIGURE 2524 4" PLASTIC SHIM BLOCKS



NPS	A	B	C	H
10"	8 13/16"	1 5/8"	3 7/16"	1'-0"
12"	9 3/4"	2 7/16"	3 3/8"	1'-0"
14"	10 5/16"	2 7/8"	3 5/16"	1'-0"
16"	11 1/4"	3 5/8"	3 1/4"	1'-1"
18"	1-0 3/16"	4 7/16"	3 3/16"	1'-1"
20"	1-1 1/16"	5 3/16"	3 1/16"	1'-3"
24"	1-2 15/16"	6 11/16"	2 15/16"	1'-3"
30"	1-6"	7 5/8"	3"	1'-6"
36"	1-9 1/16"	8"	3 1/16"	1'-6"
42"	2-0 3/16"	7 15/16"	3 3/16"	1'-9"

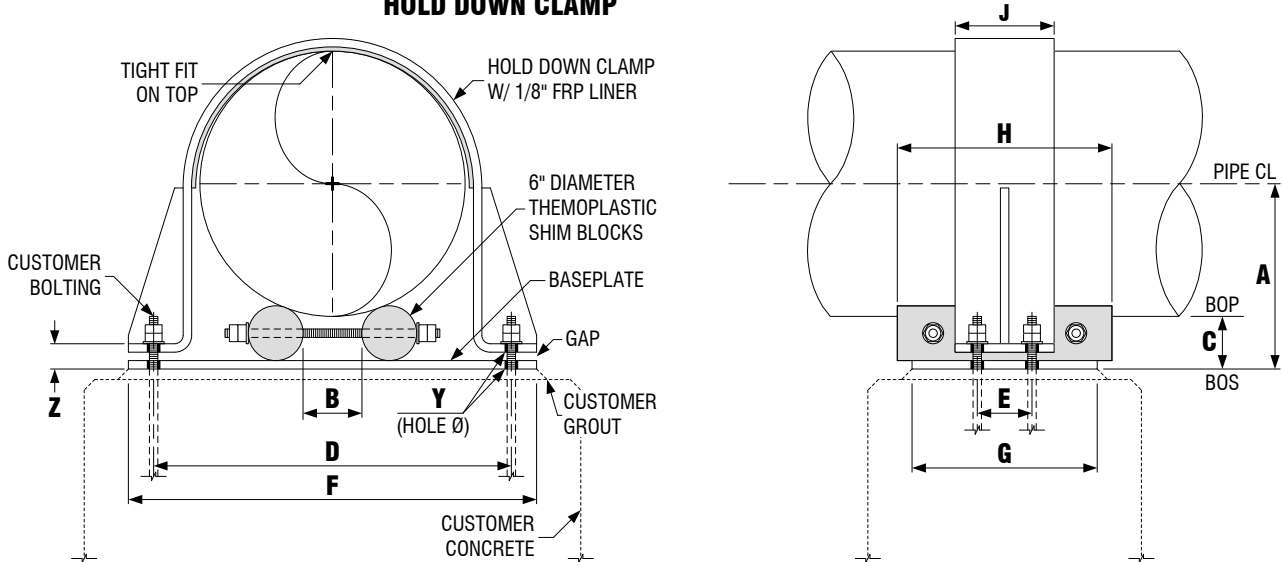
HOW TO ORDER

FIGURE # PIPE NPS OPTIONS

HPS-2524 - -

EXAMPLE: HPS-2524-12"

FIGURE 2541 6" PLASTIC SHIM BLOCKS, BASEPLATE, HOLD DOWN CLAMP



NPS	A	B	C	D	E	F	G	H	J	Y	Z
18"	1'-2 7/16"	3 3/16"	5 7/16"	2'-2"	3 1/2"	2'-6"	10"	1'-1"	8"	1 1/4"	1 3/8"
20"	1'-3 3/8"	3 15/16"	5 3/8"	2'-4"	4"	2'-8"	1'-2"	1'-3"	8"	1 1/4"	1 1/2"
24"	1'-5 1/4"	5 1/2"	5 1/4"	2'-8"	4"	3'-0"	1'-2"	1'-3"	8"	1 1/4"	1 1/2"
30"	1'-8"	7 3/4"	5"	3'-2"	7"	3'-7"	1'-4"	1'-6"	11"	1 1/2"	1 1/2"
36"	1'-10 7/8"	10 1/16"	4 7/8"	3'-8"	7"	4'-1"	1'-4"	1'-6"	11"	1 1/2"	1 5/8"
42"	2'-1 11/16"	1'-0 3/8"	4 11/16"	4'-2"	7"	4'-8"	1'-6"	1'-9"	1'-0"	1 3/4"	1 3/4"

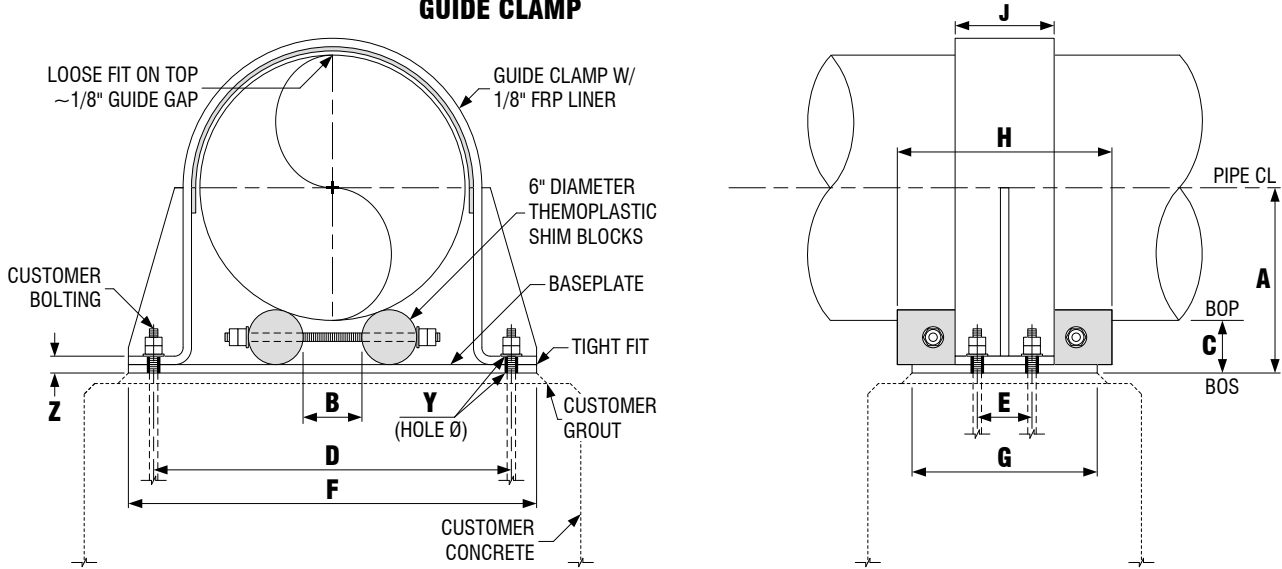
HOW TO ORDER

FIGURE # PIPE NPS OPTIONS

HPS-2541 - -

EXAMPLE: HPS-2541-20"

FIGURE 2542 6" PLASTIC SHIM BLOCKS, BASEPLATE, GUIDE CLAMP



NPS	A	B	C	D	E	F	G	H	J	Y	Z
18"	1'-2 7/16"	3 3/16"	5 7/16"	2'-2"	3 1/2"	2'-6"	10"	1'-1"	8"	1 1/4"	7/8"
20"	1'-3 3/8"	3 15/16"	5 3/8"	2'-4"	4"	2'-8"	1'-2"	1'-3"	8"	1 1/4"	1"
24"	1'-5 1/4"	5 1/2"	5 1/4"	2'-8"	4"	3'-0"	1'-2"	1'-3"	8"	1 1/4"	1"
30"	1'-8"	7 3/4"	5"	3'-2"	7"	3'-7"	1'-4"	1'-6"	11"	1 1/2"	1"
36"	1'-10 7/8"	10 1/16"	4 7/8"	3'-8"	7"	4'-1"	1'-4"	1'-6"	11"	1 1/2"	1 1/8"
42"	2'-1 11/16"	1'-0 3/8"	4 11/16"	4'-2"	7"	4'-8"	1'-6"	1'-9"	1'-0"	1 3/4"	1 1/4"

HOW TO ORDER

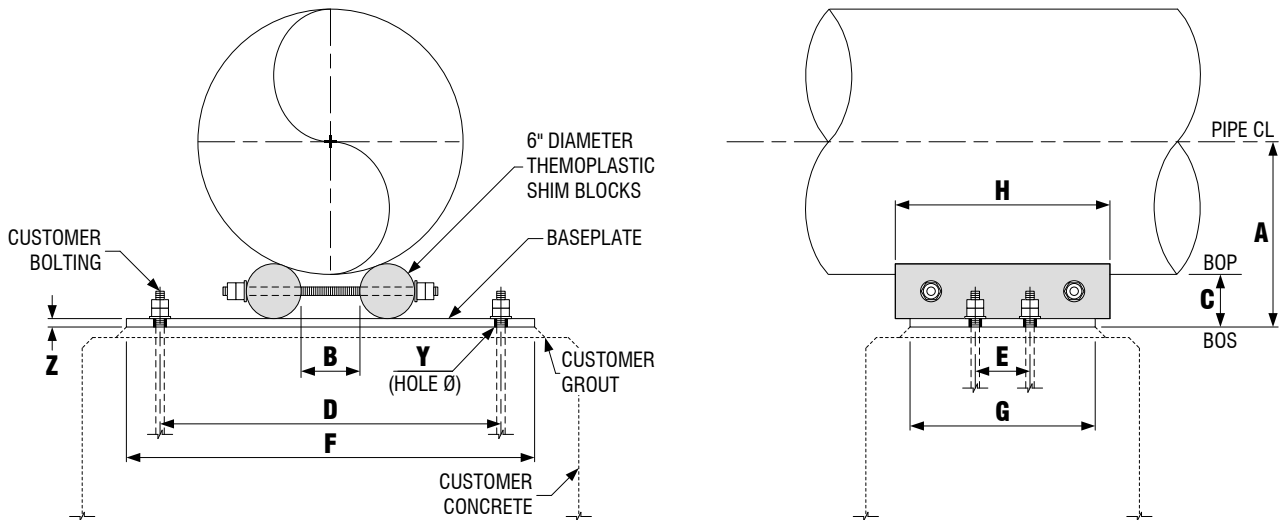
FIGURE # PIPE NPS OPTIONS
HPS-2542 - -

OPTION CODES

GE - 1/2" GUIDE GAP

EXAMPLE: HPS-2542-20"

**FIGURE 2543 6" PLASTIC SHIM BLOCKS,
BASEPLATE**



NPS	A	B	C	D	E	F	G	H	Y	Z
18"	1'-2 7/16"	3 3/16"	5 7/16"	2'-2"	3 1/2"	2'-6"	10"	1'-1"	1 1/4"	3/8"
20"	1'-3 3/8"	3 15/16"	5 3/8"	2'-4"	4"	2'-8"	1'-2"	1'-3"	1 1/4"	3/8"
24"	1'-5 1/4"	5 1/2"	5 1/4"	2'-8"	4"	3'-0"	1'-2"	1'-3"	1 1/4"	3/8"
30"	1'-8"	7 3/4"	5"	3'-2"	7"	3'-7"	1'-4"	1'-6"	1 1/2"	3/8"
36"	1'-10 7/8"	10 1/16"	4 7/8"	3'-8"	7"	4'-1"	1'-4"	1'-6"	1 1/2"	1/2"
42"	2'-1 11/16"	1'-0 3/8"	4 11/16"	4'-2"	7"	4'-8"	1'-6"	1'-9"	1 3/4"	1/2"

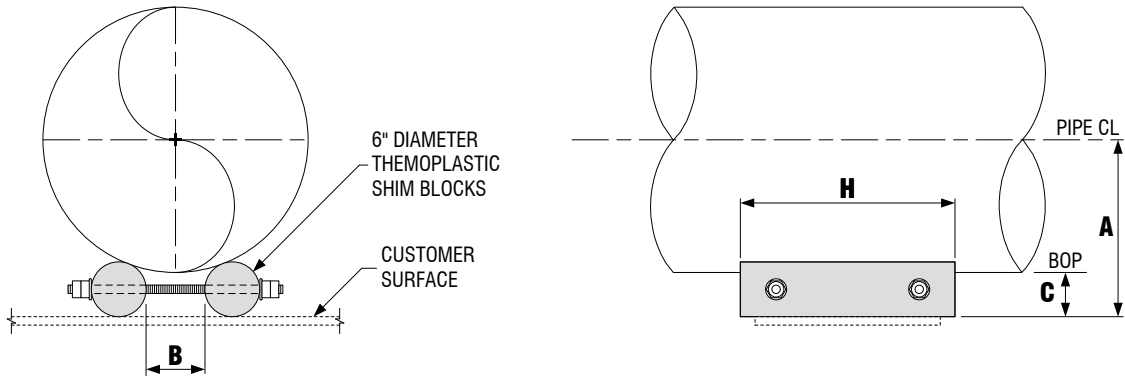
HOW TO ORDER

FIGURE # PIPE NPS OPTIONS

HPS-2543 - -

EXAMPLE: HPS-2543-20"

FIGURE 2544 6" PLASTIC SHIM BLOCKS



NPS	A	B	C	H
18"	1'-2 1/16"	3 3/16"	5 1/16"	1'-1"
20"	1'-3"	3 15/16"	5"	1'-3"
24"	1'-4 7/8"	5 1/2"	4 7/8"	1'-3"
30"	1'-7 5/8"	7 3/4"	4 5/8"	1'-6"
36"	1'-10 3/8"	10 1/16"	4 3/8"	1'-6"
42"	2'-1 3/16"	1'-0 3/8"	4 3/16"	1'-9"

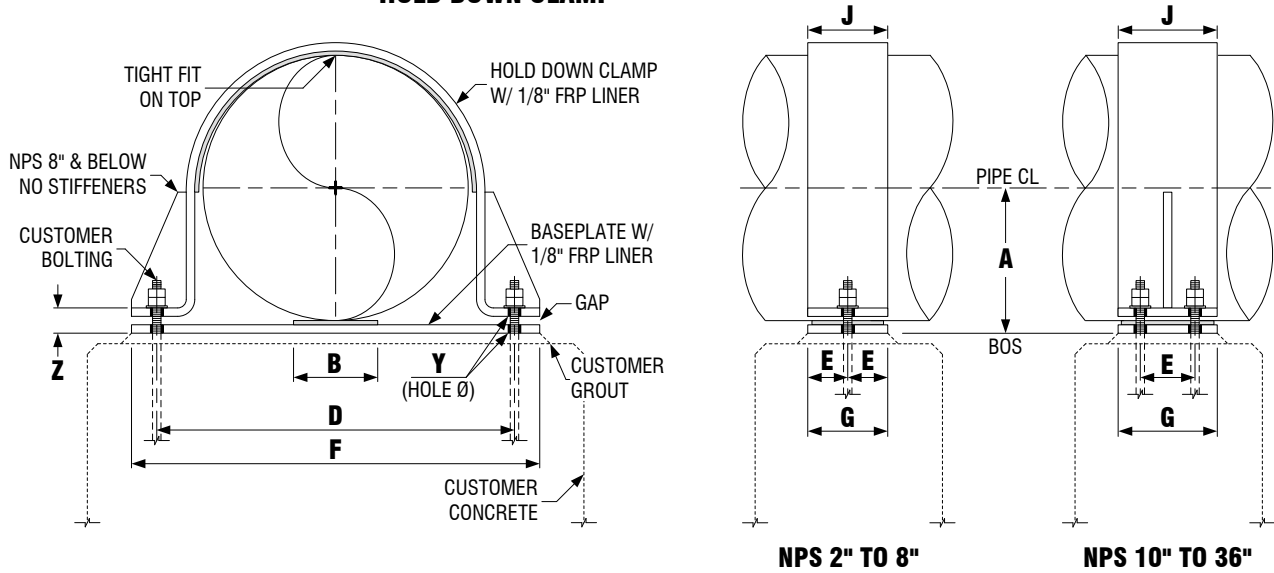
HOW TO ORDER

FIGURE # PIPE NPS OPTIONS
 - -

EXAMPLE: HPS-2544-20"

FIGURE 3001

**BASEPLATE,
HOLD DOWN CLAMP**



NPS	A	B	D	E	F	G	J	Y	Z
2"	1 9/16"	2"	7"	1 1/2"	10"	3"	3"	7/8"	1"
3"	2 1/8"	3"	7 1/4"	3"	10 1/4"	6"	6"	7/8"	1"
4"	2 5/8"	4"	8"	3"	11"	6"	6"	7/8"	1"
6"	3 11/16"	4"	10"	3"	1'-1"	6"	6"	7/8"	1 1/8"
8"	4 11/16"	5"	1'-0"	3"	1'-3"	6"	6"	7/8"	1 1/8"
10"	5 7/8"	6"	1'-6 1/4"	6"	1'-9 1/4"	9"	9"	1 1/8"	1 3/8"
12"	6 7/8"	6"	1'-6 1/4"	6"	1'-9 1/4"	9"	9"	1 1/8"	1 3/8"
14"	7 1/2"	6"	1'-7 1/4"	6"	1'-11 1/4"	10"	10"	1 1/8"	1 3/8"
16"	8 1/2"	6"	1'-9"	6"	2'-1"	10"	10"	1 1/8"	1 3/8"
18"	9 1/2"	8"	2'-2"	7"	2'-7 1/4"	1'-0"	1'-0"	1 1/8"	1 3/8"
20"	10 1/2"	8"	2'-4"	7"	2'-9 1/4"	1'-0"	1'-0"	1 1/8"	1 3/8"
24"	1'-0 1/2"	8"	2'-8"	7"	3'-1 1/4"	1'-0"	1'-0"	1 1/8"	1 3/8"
30"	1'-3 1/2"	10"	3'-1"	7"	3'-7 1/4"	1'-0"	1'-0"	1 1/8"	1 1/2"
36"	1'-6 1/2"	12"	3'-8"	7"	4'-1"	1'-0"	1'-0"	1 1/8"	1 1/2"

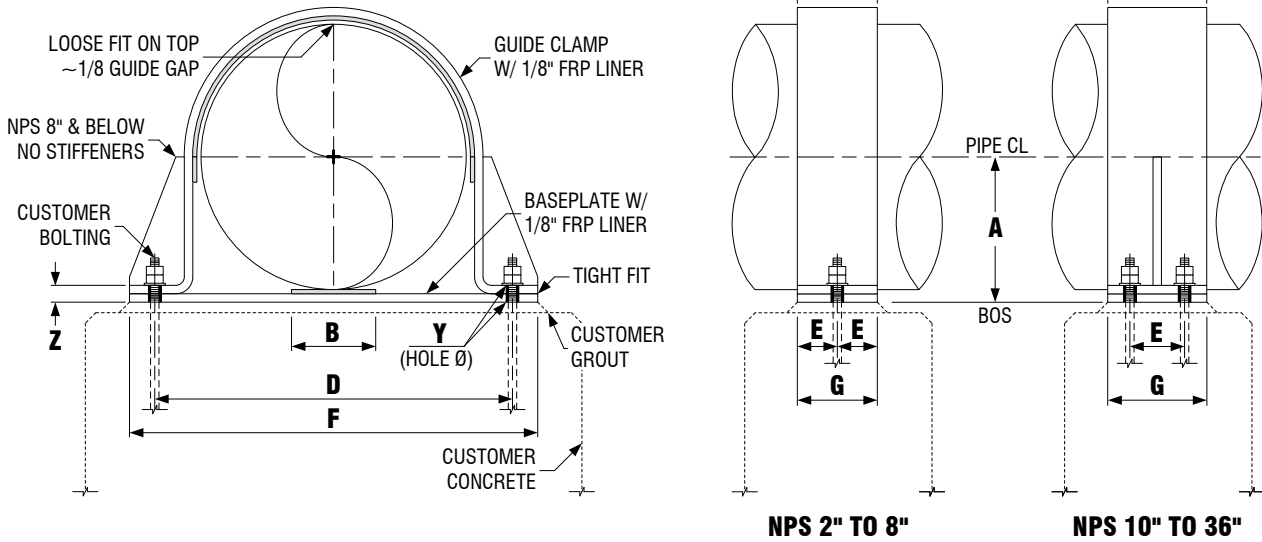
HOW TO ORDER

FIGURE # PIPE NPS OPTIONS
 - -

EXAMPLE: HPS-3001-20"

FIGURE 3002

BASEPLATE, GUIDE CLAMP



NPS	A	B	D	E	F	G	J	Y	Z
2"	1 9/16"	2"	7"	1 1/2"	10"	3"	3"	7/8"	1/2"
3"	2 1/8"	3"	7 1/4"	3"	10 1/4"	6"	6"	7/8"	1/2"
4"	2 5/8"	4"	8"	3"	11"	6"	6"	7/8"	1/2"
6"	3 11/16"	4"	10"	3"	1'-1"	6"	6"	7/8"	5/8"
8"	4 11/16"	5"	1'-0"	3"	1'-3"	6"	6"	7/8"	5/8"
10"	5 7/8"	6"	1'-6 1/4"	6"	1'-9 1/4"	9"	9"	1 1/8"	7/8"
12"	6 7/8"	6"	1'-6 1/4"	6"	1'-9 1/4"	9"	9"	1 1/8"	7/8"
14"	7 1/2"	6"	1'-7 1/4"	6"	1'-11 1/4"	10"	10"	1 1/8"	7/8"
16"	8 1/2"	6"	1'-9"	6"	2'-1"	10"	10"	1 1/8"	7/8"
18"	9 1/2"	8"	2'-2"	7"	2'-7 1/4"	1'-0"	1'-0"	1 1/8"	7/8"
20"	10 1/2"	8"	2'-4"	7"	2'-9 1/4"	1'-0"	1'-0"	1 1/8"	7/8"
24"	1'-0 1/2"	8"	2'-8"	7"	3'-1 1/4"	1'-0"	1'-0"	1 1/8"	7/8"
30"	1'-3 1/2"	10"	3'-1"	7"	3'-7 1/4"	1'-0"	1'-0"	1 1/8"	1"
36"	1'-6 1/2"	12"	3'-8"	7"	4'-1"	1'-0"	1'-0"	1 1/8"	1"

HOW TO ORDER

FIGURE # PIPE NPS OPTIONS
 - -

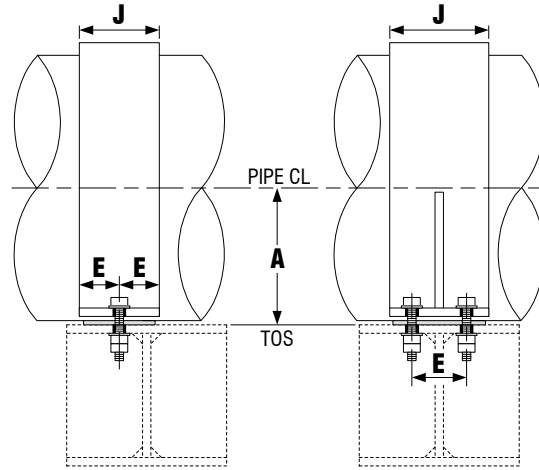
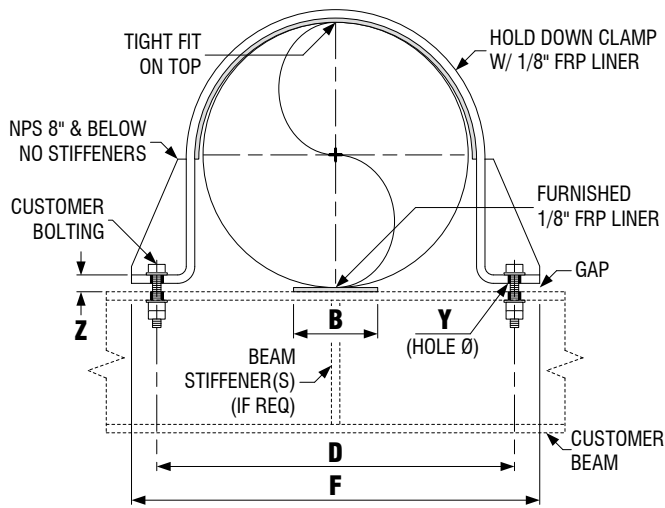
OPTION CODES

GE - 1/2" GUIDE GAP

EXAMPLE: HPS-3002-20"

FIGURE 3003

**FRP LINER,
HOLD DOWN CLAMP**



NPS 2" TO 8"

NPS 10" TO 36"

NPS	A	B	D	E	F	J	Y	Z
2"	1 5/16"	2"	7"	1 1/2"	10"	3"	7/8"	3/4"
3"	1 7/8"	3"	7 1/4"	3"	10 1/4"	6"	7/8"	3/4"
4"	2 3/8"	4"	8"	3"	11"	6"	7/8"	3/4"
6"	3 7/16"	4"	10"	3"	1'-1"	6"	7/8"	7/8"
8"	4 7/16"	5"	1'-0"	3"	1'-3"	6"	7/8"	7/8"
10"	5 1/2"	6"	1'-6 1/4"	6"	1'-9 1/4"	9"	1 1/8"	1"
12"	6 1/2"	6"	1'-6 1/4"	6"	1'-9 1/4"	9"	1 1/8"	1"
14"	7 1/8"	6"	1'-7 1/4"	6"	1'-11 1/4"	10"	1 1/8"	1"
16"	8 1/8"	6"	1'-9"	6"	2'-1"	10"	1 1/8"	1"
18"	9 1/8"	8"	2'-2"	7"	2'-7 1/4"	1'-0"	1 1/8"	1"
20"	10 1/8"	8"	2'-4"	7"	2'-9 1/4"	1'-0"	1 1/8"	1"
24"	1'-0 1/8"	8"	2'-8"	7"	3'-1 1/4"	1'-0"	1 1/8"	1"
30"	1'-3 1/8"	10"	3'-1"	7"	3'-7 1/4"	1'-0"	1 1/8"	1 1/8"
36"	1'-6 1/8"	12"	3'-8"	7"	4'-1"	1'-0"	1 1/8"	1 1/8"

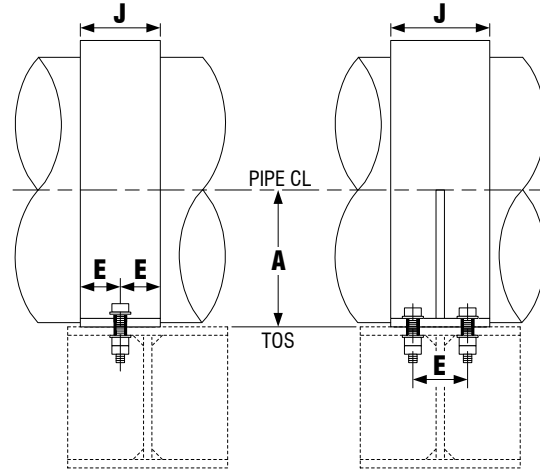
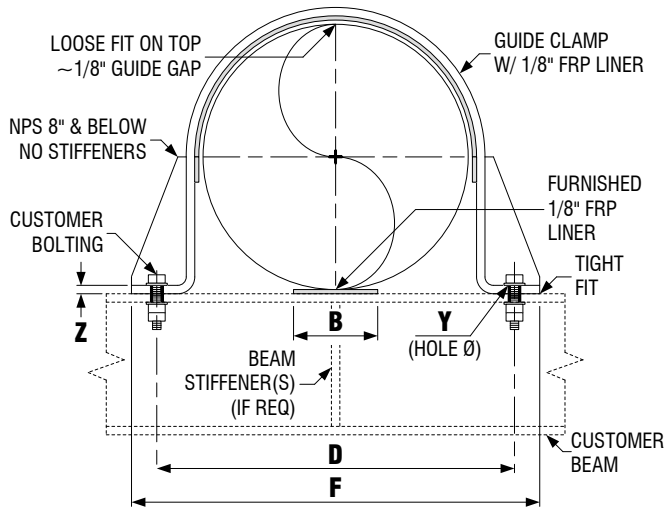
HOW TO ORDER

FIGURE # PIPE NPS OPTIONS
 - -

EXAMPLE: HPS-3003-20"

FIGURE 3004

**FRP LINER,
GUIDE CLAMP**



NPS 2" TO 8"

NPS 10" TO 36"

NPS	A	B	D	E	F	J	Y	Z
2"	1 5/16"	2"	7"	1 1/2"	10"	3"	7/8"	1/4"
3"	1 7/8"	3"	7 1/4"	3"	10 1/4"	6"	7/8"	1/4"
4"	2 3/8"	4"	8"	3"	11"	6"	7/8"	1/4"
6"	3 7/16"	4"	10"	3"	1'-1"	6"	7/8"	3/8"
8"	4 7/16"	5"	1'-0"	3"	1'-3"	6"	7/8"	3/8"
10"	5 1/2"	6"	1'-6 1/4"	6"	1'-9 1/4"	9"	1 1/8"	1/2"
12"	6 1/2"	6"	1'-6 1/4"	6"	1'-9 1/4"	9"	1 1/8"	1/2"
14"	7 1/8"	6"	1'-7 1/4"	6"	1'-11 1/4"	10"	1 1/8"	1/2"
16"	8 1/8"	6"	1'-9"	6"	2'-1"	10"	1 1/8"	1/2"
18"	9 1/8"	8"	2'-2"	7"	2'-7 1/4"	1'-0"	1 1/8"	1/2"
20"	10 1/8"	8"	2'-4"	7"	2'-9 1/4"	1'-0"	1 1/8"	1/2"
24"	1'-0 1/8"	8"	2'-8"	7"	3'-1 1/4"	1'-0"	1 1/8"	1/2"
30"	1'-3 1/8"	10"	3'-1"	7"	3'-7 1/4"	1'-0"	1 1/8"	5/8"
36"	1'-6 1/8"	12"	3'-8"	7"	4'-1"	1'-0"	1 1/8"	5/8"

HOW TO ORDER

FIGURE # PIPE NPS OPTIONS
 - -

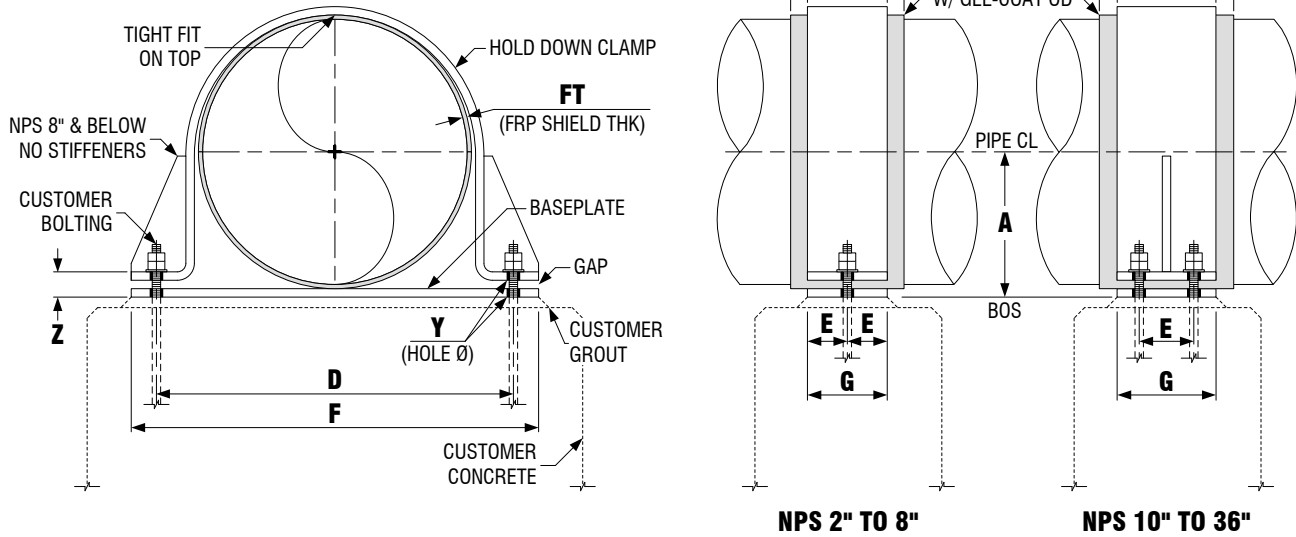
OPTION CODES

GE - 1/2" GUIDE GAP

EXAMPLE: HPS-3004-20"

FIGURE 3011

BASEPLATE, HOLD DOWN CLAMP, FRP SHIELD



NPS	A	D	E	F	G	HH	J	Y	Z
2"	1 7/16" +FT	7"	1 1/2"	10"	3"	1'-0"	3"	7/8"	1"
3"	2" +FT	7 1/4"	3"	10 1/4"	6"	1'-0"	6"	7/8"	1"
4"	2 1/2" +FT	8"	3"	11"	6"	1'-0"	6"	7/8"	1"
6"	3 9/16" +FT	10"	3"	1'-1"	6"	1'-0"	6"	7/8"	1 1/8"
8"	4 9/16" +FT	1'-0"	3"	1'-3"	6"	1'-0"	6"	7/8"	1 1/8"
10"	5 3/4" +FT	1'-6 1/4"	6"	1'-9 1/4"	9"	1'-0"	9"	1 1/8"	1 3/8"
12"	6 3/4" +FT	1'-6 1/4"	6"	1'-9 1/4"	9"	1'-0"	9"	1 1/8"	1 3/8"
14"	7 3/8" +FT	1'-7 1/4"	6"	1'-11 1/4"	10"	1'-4"	10"	1 1/8"	1 3/8"
16"	8 3/8" +FT	1'-9"	6"	2'-1"	10"	1'-4"	10"	1 1/8"	1 3/8"
18"	9 3/8" +FT	2'-2"	7"	2'-7 1/4"	1'-0"	1'-4"	1'-0"	1 1/8"	1 3/8"
20"	10 3/8" +FT	2'-4"	7"	2'-9 1/4"	1'-0"	1'-8"	1'-0"	1 1/8"	1 3/8"
24"	1'-0 3/8" +FT	2'-8"	7"	3'-1 1/4"	1'-0"	1'-8"	1'-0"	1 1/8"	1 3/8"
30"	1'-3 3/8" +FT	3'-1"	7"	3'-7 1/4"	1'-0"	1'-10"	1'-0"	1 1/8"	1 1/2"
36"	1'-6 3/8" +FT	3'-8"	7"	4'-1"	1'-0"	1'-10"	1'-0"	1 1/8"	1 1/2"

HOW TO ORDER

FIGURE # PIPE NPS "FT" DIM OPTIONS
 - - -

EXAMPLE: HPS-3011-20"-0.25"

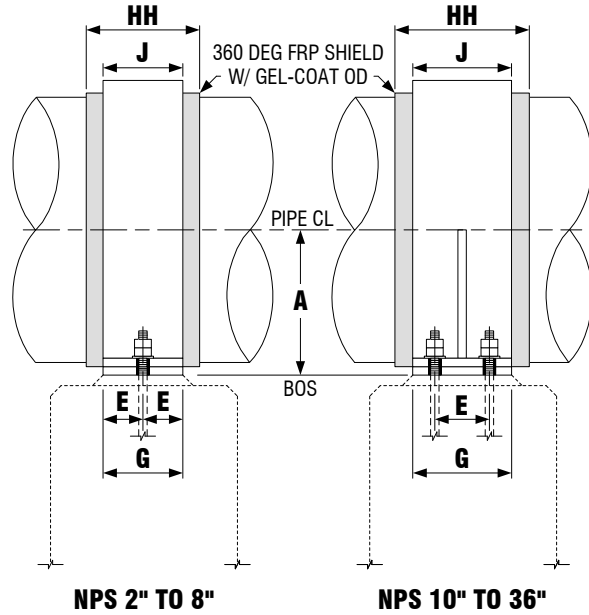
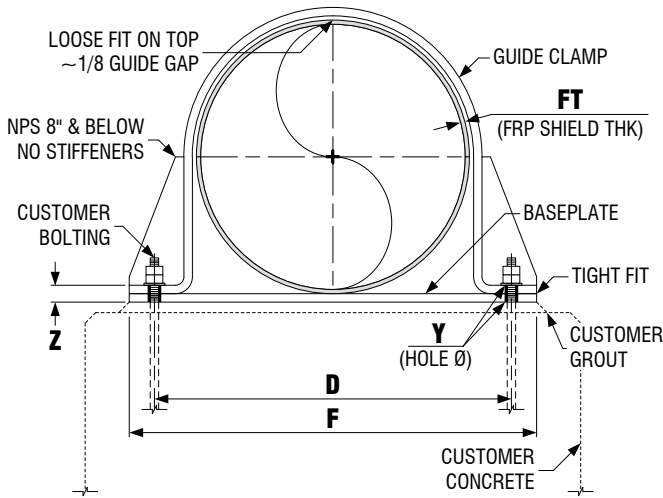
OPTION CODES

NF - FRP/EPOXY BY CUSTOMER

NOTES

1. FRP SHIELD FURNISHED PRE-ROUGHENED W/ EPOXY

FIGURE 3012 **BASEPLATE, GUIDE CLAMP, FRP SHIELD**



NPS	A	D	E	F	G	HH	J	Y	Z
2"	1 7/16" +FT	7"	1 1/2"	10"	3"	1'-0"	3"	7/8"	1/2"
3"	2" +FT	7 1/4"	3"	10 1/4"	6"	1'-0"	6"	7/8"	1/2"
4"	2 1/2" +FT	8"	3"	11"	6"	1'-0"	6"	7/8"	1/2"
6"	3 9/16" +FT	10"	3"	1'-1"	6"	1'-0"	6"	7/8"	5/8"
8"	4 9/16" +FT	1'-0"	3"	1'-3"	6"	1'-0"	6"	7/8"	5/8"
10"	5 3/4" +FT	1'-6 1/4"	6"	1'-9 1/4"	9"	1'-0"	9"	1 1/8"	7/8"
12"	6 3/4" +FT	1'-6 1/4"	6"	1'-9 1/4"	9"	1'-0"	9"	1 1/8"	7/8"
14"	7 3/8" +FT	1'-7 1/4"	6"	1'-11 1/4"	10"	1'-4"	10"	1 1/8"	7/8"
16"	8 3/8" +FT	1'-9"	6"	2'-1"	10"	1'-4"	10"	1 1/8"	7/8"
18"	9 3/8" +FT	2'-2"	7"	2'-7 1/4"	1'-0"	1'-4"	1'-0"	1 1/8"	7/8"
20"	10 3/8" +FT	2'-4"	7"	2'-9 1/4"	1'-0"	1'-8"	1'-0"	1 1/8"	7/8"
24"	1'-0 3/8" +FT	2'-8"	7"	3'-1 1/4"	1'-0"	1'-8"	1'-0"	1 1/8"	7/8"
30"	1'-3 3/8" +FT	3'-1"	7"	3'-7 1/4"	1'-0"	1'-10"	1'-0"	1 1/8"	1"
36"	1'-6 3/8" +FT	3'-8"	7"	4'-1"	1'-0"	1'-10"	1'-0"	1 1/8"	1"

HOW TO ORDER

FIGURE # PIPE NPS "FT" DIM OPTIONS
 - - -

EXAMPLE: HPS-3012-20"-0.25"

OPTION CODES

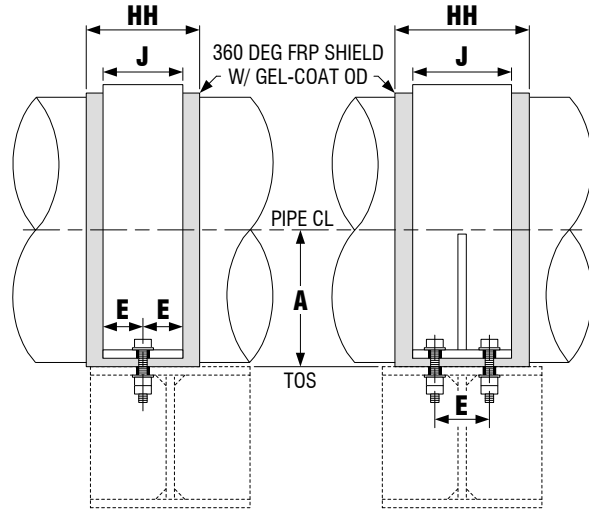
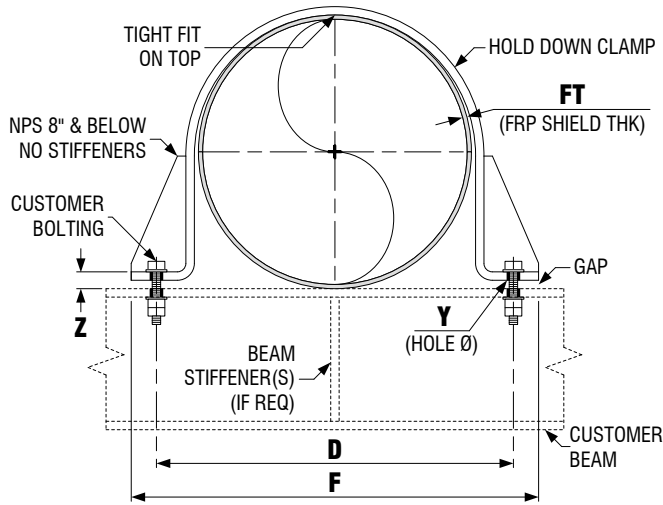
GE - 1/2" GUIDE GAP
 NF - FRP/EPOXY BY CUSTOMER

NOTES

1. FRP SHIELD FURNISHED PRE-ROUGHENED W/ EPOXY

FIGURE 3013

HOLD DOWN CLAMP, FRP SHIELD



NPS 2" TO 8"

NPS 10" TO 36"

NPS	A	D	E	F	HH	J	Y	Z
2"	1 3/16" +FT	7"	1 1/2"	10"	1'-0"	3"	7/8"	3/4"
3"	1 3/4" +FT	7 1/4"	3"	10 1/4"	1'-0"	6"	7/8"	3/4"
4"	2 1/4" +FT	8"	3"	11"	1'-0"	6"	7/8"	3/4"
6"	3 5/16" +FT	10"	3"	1'-1"	1'-0"	6"	7/8"	7/8"
8"	4 5/16" +FT	1'-0"	3"	1'-3"	1'-0"	6"	7/8"	7/8"
10"	5 3/8" +FT	1'-6 1/4"	6"	1'-9 1/4"	1'-0"	9"	1 1/8"	1"
12"	6 3/8" +FT	1'-6 1/4"	6"	1'-9 1/4"	1'-0"	9"	1 1/8"	1"
14"	7" +FT	1'-7 1/4"	6"	1'-11 1/4"	1'-4"	10"	1 1/8"	1"
16"	8" +FT	1'-9"	6"	2'-1"	1'-4"	10"	1 1/8"	1"
18"	9" +FT	2'-2"	7"	2'-7 1/4"	1'-4"	1'-0"	1 1/8"	1"
20"	10" +FT	2'-4"	7"	2'-9 1/4"	1'-8"	1'-0"	1 1/8"	1"
24"	1'-0" +FT	2'-8"	7"	3'-1 1/4"	1'-8"	1'-0"	1 1/8"	1"
30"	1'-3" +FT	3'-1"	7"	3'-7 1/4"	1'-10"	1'-0"	1 1/8"	1 1/8"
36"	1'-6" +FT	3'-8"	7"	4'-1"	1'-10"	1'-0"	1 1/8"	1 1/8"

HOW TO ORDER

FIGURE # PIPE NPS "FT" DIM OPTIONS
 - - -

EXAMPLE: HPS-3013-20"-0.25"

OPTION CODES

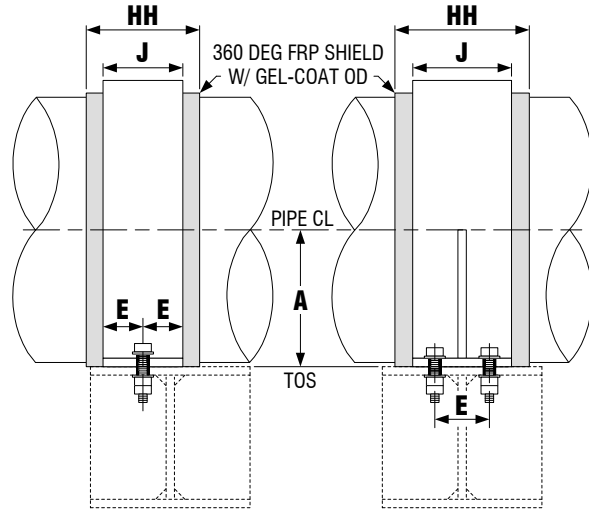
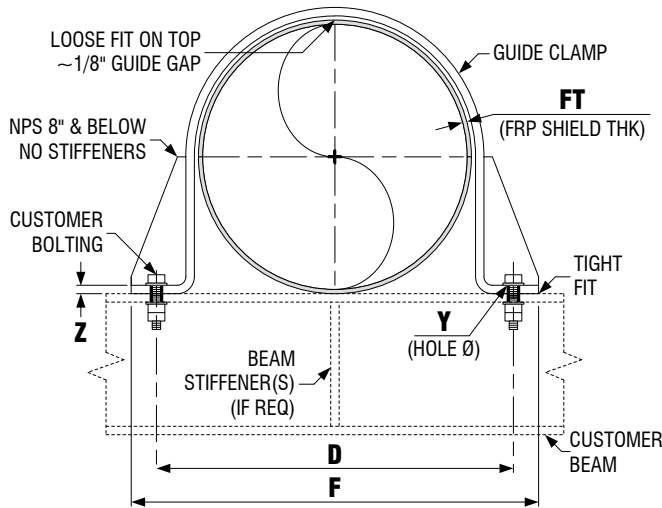
NF - FRP/EPOXY BY CUSTOMER

NOTES

1. FRP SHIELD FURNISHED PRE-ROUGHENED W/ EPOXY

FIGURE 3014

**GUIDE CLAMP,
FRP SHIELD**



NPS 2\"/>

NPS 10\"/>

NPS	A	D	E	F	HH	J	Y	Z
2"	1 3/16" +FT	7"	1 1/2"	10"	1'-0"	3"	7/8"	1/4"
3"	1 3/4" +FT	7 1/4"	3"	10 1/4"	1'-0"	6"	7/8"	1/4"
4"	2 1/4" +FT	8"	3"	11"	1'-0"	6"	7/8"	1/4"
6"	3 5/16" +FT	10"	3"	1'-1"	1'-0"	6"	7/8"	3/8"
8"	4 5/16" +FT	1'-0"	3"	1'-3"	1'-0"	6"	7/8"	3/8"
10"	5 3/8" +FT	1'-6 1/4"	6"	1'-9 1/4"	1'-0"	9"	1 1/8"	1/2"
12"	6 3/8" +FT	1'-6 1/4"	6"	1'-9 1/4"	1'-0"	9"	1 1/8"	1/2"
14"	7" +FT	1'-7 1/4"	6"	1'-11 1/4"	1'-4"	10"	1 1/8"	1/2"
16"	8" +FT	1'-9"	6"	2'-1"	1'-4"	10"	1 1/8"	1/2"
18"	9" +FT	2'-2"	7"	2'-7 1/4"	1'-4"	1'-0"	1 1/8"	1/2"
20"	10" +FT	2'-4"	7"	2'-9 1/4"	1'-8"	1'-0"	1 1/8"	1/2"
24"	1'-0" +FT	2'-8"	7"	3'-1 1/4"	1'-8"	1'-0"	1 1/8"	1/2"
30"	1'-3" +FT	3'-1"	7"	3'-7 1/4"	1'-10"	1'-0"	1 1/8"	5/8"
36"	1'-6" +FT	3'-8"	7"	4'-1"	1'-10"	1'-0"	1 1/8"	5/8"

HOW TO ORDER

FIGURE # PIPE NPS "FT" DIM OPTIONS
 - - -

OPTION CODES

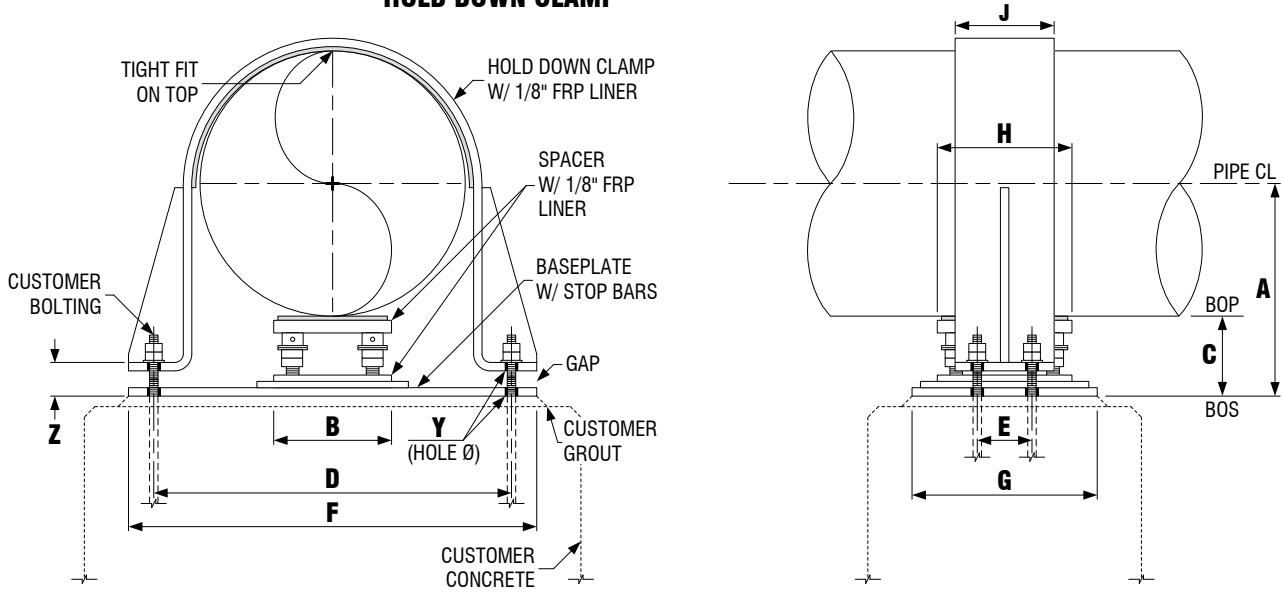
GE - 1/2" GUIDE GAP
 NF - FRP/EPOXY BY CUSTOMER

NOTES

1. FRP SHIELD FURNISHED PRE-ROUGHENED W/ EPOXY

EXAMPLE: HPS-3014-20"-0.25"

FIGURE 3501 SPACER, BASEPLATE, HOLD DOWN CLAMP



NPS	A-MAX	A-TYP	A-MIN	B	C-MAX	C-TYP	C-MIN	D	E	F	G	H	J	Y	Z-MAX
6"	10 11/16"	10 1/16"	9 7/16"	6"	7 3/8"	6 3/4"	6 1/8"	1'-0"	3 1/2"	1'-3"	10"	6"	6"	7/8"	2 1/2"
8"	11 11/16"	11 1/16"	10 7/16"	6"	7 3/8"	6 3/4"	6 1/8"	1'-2"	3 1/2"	1'-5"	10"	6"	6"	1 1/8"	2 5/8"
10"	1'-0 3/4"	1'-0 1/8"	11 1/2"	6"	7 3/8"	6 3/4"	6 1/8"	1'-4"	3 1/2"	1'-7"	10"	6"	6"	1 1/4"	2 5/8"
12"	1'-1 3/4"	1'-1 1/8"	1'-0 1/2"	8"	7 3/8"	6 3/4"	6 1/8"	1'-6"	3 1/2"	1'-10"	10"	7 3/4"	6"	1 1/4"	2 5/8"
14"	1'-2 3/8"	1'-1 3/4"	1'-1 1/8"	8"	7 3/8"	6 3/4"	6 1/8"	1'-10"	3 1/2"	2'-2"	10"	7 3/4"	6"	1 1/4"	2 5/8"
16"	1'-3 3/8"	1'-2 3/4"	1'-2 1/8"	8"	7 3/8"	6 3/4"	6 1/8"	2'-0"	3 1/2"	2'-4"	10"	7 3/4"	8"	1 1/4"	2 5/8"
18"	1'-4 3/8"	1'-3 3/4"	1'-3 1/8"	8"	7 3/8"	6 3/4"	6 1/8"	2'-2"	3 1/2"	2'-6"	10"	7 3/4"	8"	1 1/4"	2 5/8"
20"	1'-5 3/8"	1'-4 3/4"	1'-4 1/8"	8"	7 3/8"	6 3/4"	6 1/8"	2'-4"	4"	2'-8"	1'-2"	9"	8"	1 1/4"	2 3/4"
24"	1'-7 3/8"	1'-6 3/4"	1'-6 1/8"	8"	7 3/8"	6 3/4"	6 1/8"	2'-8"	4"	3'-0"	1'-2"	9"	8"	1 1/4"	2 3/4"
30"	1'-10 3/8"	1'-9 3/4"	1'-9 1/8"	8"	7 3/8"	6 3/4"	6 1/8"	3'-2"	7"	3'-7"	1'-4"	9"	11"	1 1/2"	2 3/4"
36"	2'-1 1/2"	2'-0 7/8"	2'-0 1/4"	8"	7 1/2"	6 7/8"	6 1/4"	3'-8"	7"	4'-1"	1'-4"	9"	11"	1 1/2"	2 7/8"
42"	2'-4 1/2"	2'-3 7/8"	2'-3 1/4"	1'-0"	7 1/2"	6 7/8"	6 1/4"	4'-2"	7"	4'-8"	1'-6"	9"	1'-0"	1 3/4"	3"
48"	2'-7 1/2"	2'-6 7/8"	2'-6 1/4"	1'-0"	7 1/2"	6 7/8"	6 1/4"	4'-8"	7"	5'-2"	1'-6"	9"	1'-0"	1 3/4"	3"
54"	2'-10 1/2"	2'-9 7/8"	2'-9 1/4"	1'-0"	7 1/2"	6 7/8"	6 1/4"	5'-4"	NOTE 1	6'-0"	1'-6"	9"	1'-4"	1 3/4"	3"

HOW TO ORDER

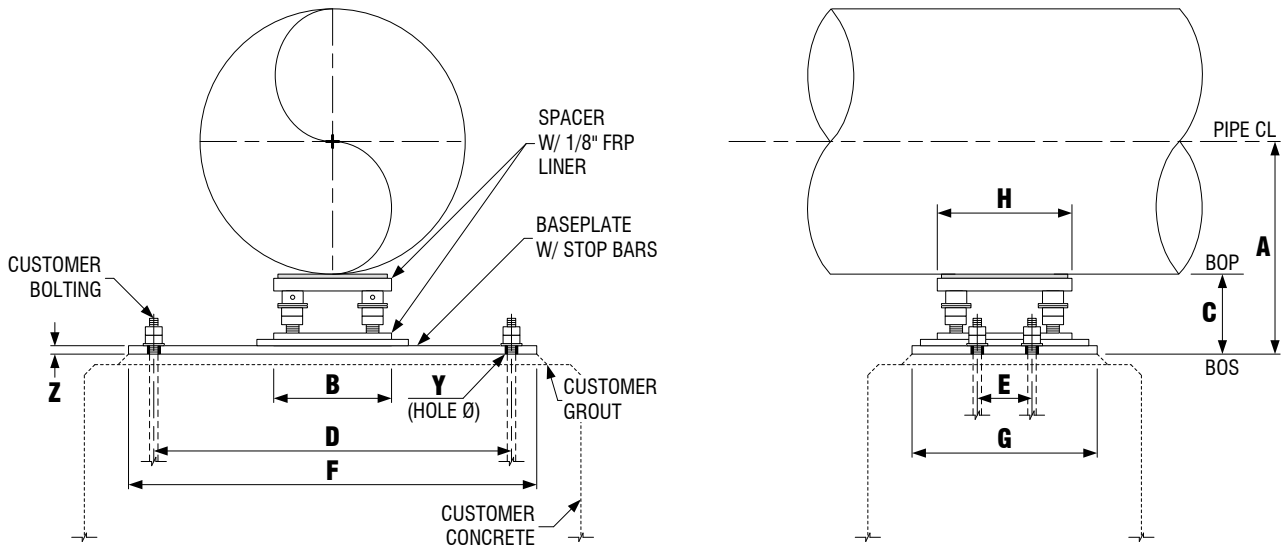
FIGURE # PIPE NPS OPTIONS
 - -

EXAMPLE: HPS-3501-20"

NOTES

- (3) AB HOLES W/ 5" C-C's

FIGURE 3503 SPACER, BASEPLATE



NPS	A-MAX	A-TYP	A-MIN	B	C-MAX	C-TYP	C-MIN	D	E	F	G	H	Y	Z
6"	10 11/16"	10 1/16"	9 7/16"	6"	7 3/8"	6 3/4"	6 1/8"	1'-0"	3 1/2"	1'-3"	10"	6"	7/8"	3/8"
8"	11 11/16"	11 1/16"	10 7/16"	6"	7 3/8"	6 3/4"	6 1/8"	1'-2"	3 1/2"	1'-5"	10"	6"	1 1/8"	3/8"
10"	1'-0 3/4"	1'-0 1/8"	11 1/2"	6"	7 3/8"	6 3/4"	6 1/8"	1'-4"	3 1/2"	1'-7"	10"	6"	1 1/4"	3/8"
12"	1'-1 3/4"	1'-1 1/8"	1'-0 1/2"	8"	7 3/8"	6 3/4"	6 1/8"	1'-6"	3 1/2"	1'-10"	10"	7 3/4"	1 1/4"	3/8"
14"	1'-2 3/8"	1'-1 3/4"	1'-1 1/8"	8"	7 3/8"	6 3/4"	6 1/8"	1'-10"	3 1/2"	2'-2"	10"	7 3/4"	1 1/4"	3/8"
16"	1'-3 3/8"	1'-2 3/4"	1'-2 1/8"	8"	7 3/8"	6 3/4"	6 1/8"	2'-0"	3 1/2"	2'-4"	10"	7 3/4"	1 1/4"	3/8"
18"	1'-4 3/8"	1'-3 3/4"	1'-3 1/8"	8"	7 3/8"	6 3/4"	6 1/8"	2'-2"	3 1/2"	2'-6"	10"	7 3/4"	1 1/4"	3/8"
20"	1'-5 3/8"	1'-4 3/4"	1'-4 1/8"	8"	7 3/8"	6 3/4"	6 1/8"	2'-4"	4"	2'-8"	1'-2"	9"	1 1/4"	3/8"
24"	1'-7 3/8"	1'-6 3/4"	1'-6 1/8"	8"	7 3/8"	6 3/4"	6 1/8"	2'-8"	4"	3'-0"	1'-2"	9"	1 1/4"	3/8"
30"	1'-10 3/8"	1'-9 3/4"	1'-9 1/8"	8"	7 3/8"	6 3/4"	6 1/8"	3'-2"	7"	3'-7"	1'-4"	9"	1 1/2"	3/8"
36"	2'-1 1/2"	2'-0 7/8"	2'-0 1/4"	8"	7 1/2"	6 7/8"	6 1/4"	3'-8"	7"	4'-1"	1'-4"	9"	1 1/2"	1/2"
42"	2'-4 1/2"	2'-3 7/8"	2'-3 1/4"	1'-0"	7 1/2"	6 7/8"	6 1/4"	4'-2"	7"	4'-8"	1'-6"	9"	1 3/4"	1/2"
48"	2'-7 1/2"	2'-6 7/8"	2'-6 1/4"	1'-0"	7 1/2"	6 7/8"	6 1/4"	4'-8"	7"	5'-2"	1'-6"	9"	1 3/4"	1/2"
54"	2'-10 1/2"	2'-9 7/8"	2'-9 1/4"	1'-0"	7 1/2"	6 7/8"	6 1/4"	5'-4"	NOTE 1	6'-0"	1'-6"	9"	1 3/4"	1/2"

HOW TO ORDER

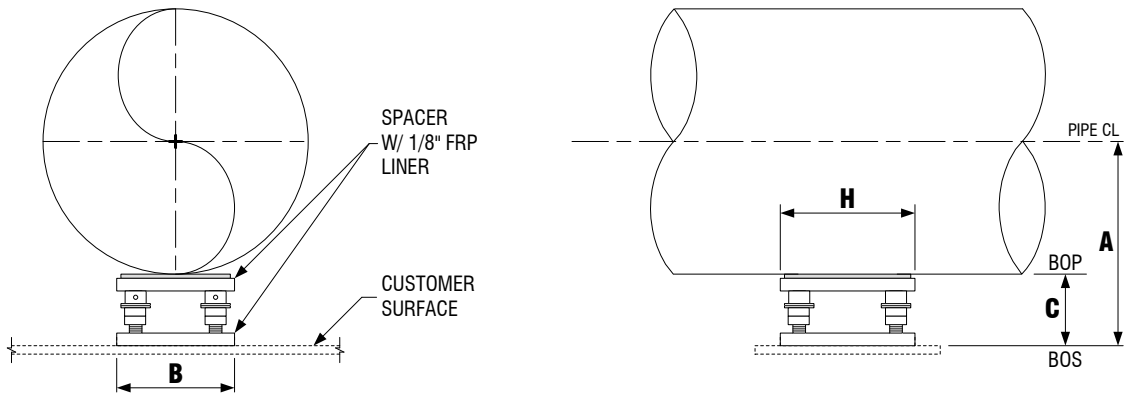
FIGURE # PIPE NPS OPTIONS
HPS-3503 - -

EXAMPLE: HPS-3503-20"

NOTES

1. (3) AB HOLES W/ 5" C-C's

FIGURE 3504 SPACER



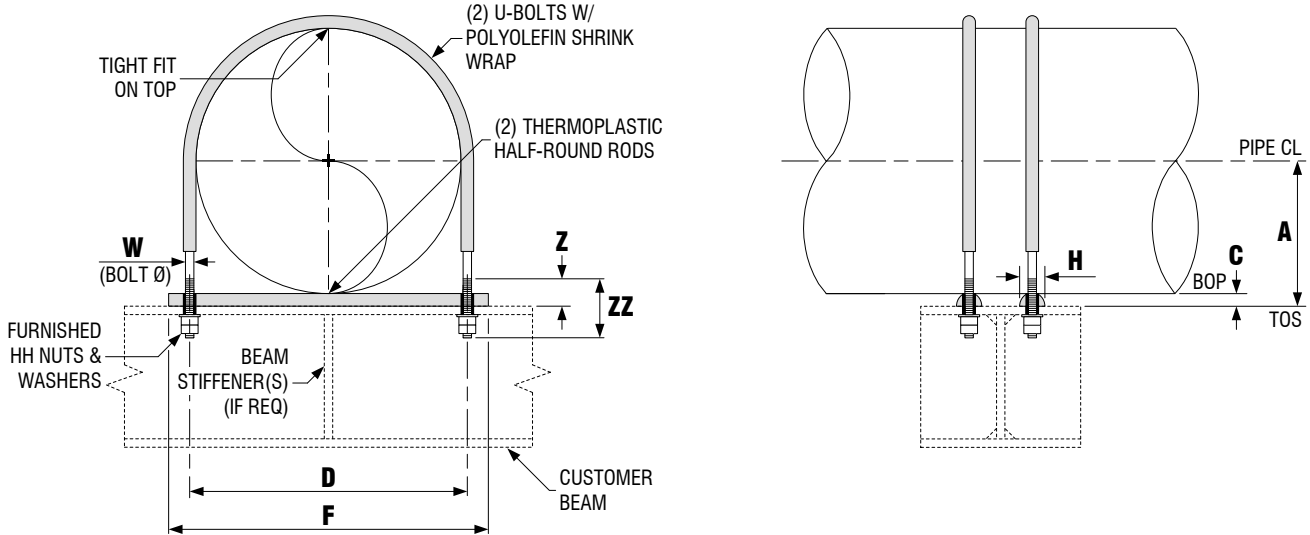
NPS	A-MAX	A-TYP	A-MIN	B	C-MAX	C-TYP	C-MIN	H
6"	10 5/16"	9 11/16"	9 1/16"	6"	7"	6 3/8"	5 3/4"	6"
8"	11 5/16"	10 11/16"	10 1/16"	6"	7"	6 3/8"	5 3/4"	6"
10"	1'-0 3/8"	11 3/4"	11 1/8"	6"	7"	6 3/8"	5 3/4"	6"
12"	1'-1 3/8"	1'-0 3/4"	1'-0 1/8"	8"	7"	6 3/8"	5 3/4"	7 3/4"
14"	1'-2"	1'-1 3/8"	1'-0 3/4"	8"	7"	6 3/8"	5 3/4"	7 3/4"
16"	1'-3"	1'-2 3/8"	1'-1 3/4"	8"	7"	6 3/8"	5 3/4"	7 3/4"
18"	1'-4"	1'-3 3/8"	1'-2 3/4"	8"	7"	6 3/8"	5 3/4"	7 3/4"
20"	1'-5"	1'-4 3/8"	1'-3 3/4"	8"	7"	6 3/8"	5 3/4"	9"
24"	1'-7"	1'-6 3/8"	1'-5 3/4"	8"	7"	6 3/8"	5 3/4"	9"
30"	1'-10"	1'-9 3/8"	1'-8 3/4"	8"	7"	6 3/8"	5 3/4"	9"
36"	2'-1"	2'-0 3/8"	1'-11 3/4"	8"	7"	6 3/8"	5 3/4"	9"
42"	2'-4"	2'-3 3/8"	2'-2 3/4"	1'-0"	7"	6 3/8"	5 3/4"	9"
48"	2'-7"	2'-6 3/8"	2'-5 3/4"	1'-0"	7"	6 3/8"	5 3/4"	9"
54"	2'-10"	2'-9 3/8"	2'-8 3/4"	1'-0"	7"	6 3/8"	5 3/4"	9"

HOW TO ORDER

FIGURE # PIPE NPS OPTIONS
 - -

EXAMPLE: HPS-3504-20"

**FIGURE 4001 (2) HALF ROUND RODS,
(2) HOLD DOWN U-BOLTS**



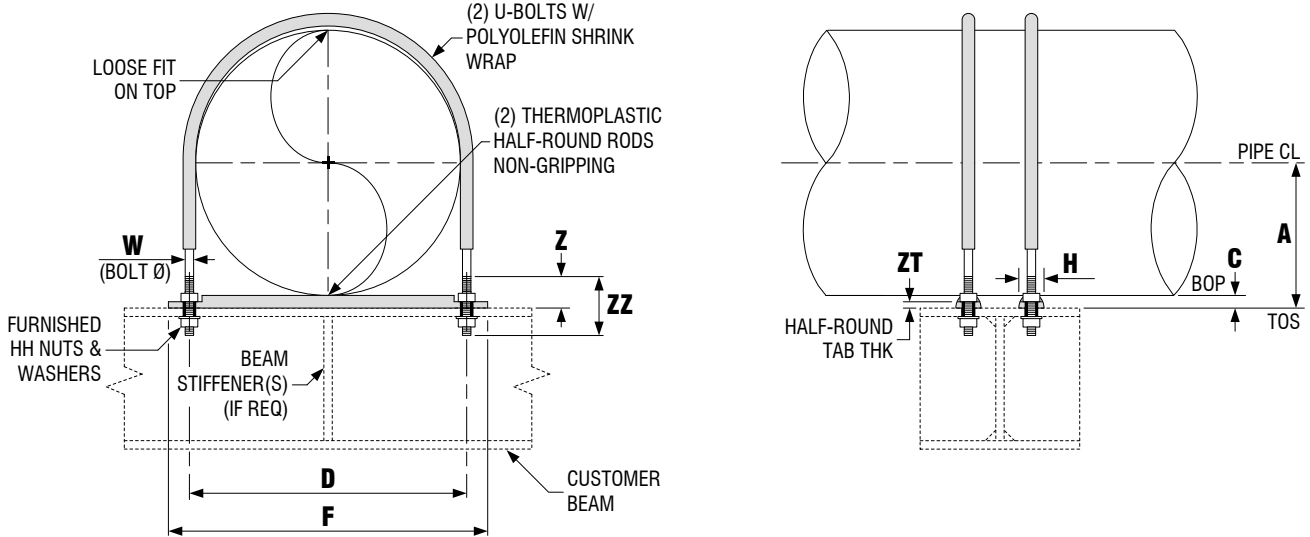
NPS	A	C	D	F	H	W	Z	ZZ
1/2"	3/4"	5/16"	1 3/16"	2 1/2"	3/4"	1/4"	5/16"	2 3/8"
3/4"	13/16"	5/16"	1 3/8"	3"	3/4"	1/4"	3/8"	2 3/8"
1"	1"	5/16"	1 5/8"	3"	3/4"	1/4"	9/16"	2 3/8"
1 1/2"	1 3/8"	7/16"	2 3/8"	4"	1"	3/8"	13/16"	2 1/2"
2"	1 5/8"	7/16"	2 13/16"	4 1/2"	1"	3/8"	13/16"	2 1/2"
3"	2 3/16"	7/16"	4 1/16"	6"	1"	1/2"	1 3/16"	3"
4"	2 11/16"	7/16"	5 1/16"	7"	1"	1/2"	1 3/16"	3"
6"	3 3/4"	7/16"	7 3/8"	9"	1"	5/8"	1 3/8"	3 3/4"
8"	4 3/4"	7/16"	9 3/8"	11"	1"	5/8"	1 3/8"	3 3/4"
10"	6 1/16"	11/16"	11 5/8"	1'-1 1/2"	1 1/2"	3/4"	1 11/16"	4"
12"	7 1/16"	11/16"	1'-1 3/4"	1'-4"	1 1/2"	7/8"	1 11/16"	4 1/4"
14"	7 11/16"	11/16"	1'-3"	1'-5"	1 1/2"	7/8"	1 11/16"	4 1/4"
16"	8 11/16"	11/16"	1'-5"	1'-7"	1 1/2"	7/8"	1 11/16"	4 1/4"
18"	9 11/16"	11/16"	1'-7 1/8"	1'-9 1/2"	1 1/2"	1"	1 3/4"	4 3/4"
20"	10 11/16"	11/16"	1'-9 1/8"	1'-11 1/2"	1 1/2"	1"	1 3/4"	4 3/4"
24"	1'-0 11/16"	11/16"	2'-1 1/8"	2'-3 1/2"	1 1/2"	1"	1 3/4"	4 3/4"
30"	1'-3 11/16"	11/16"	2'-7 1/8"	2'-9 1/2"	1 1/2"	1"	1 3/4"	4 3/4"
36"	1'-6 11/16"	11/16"	3'-1 1/8"	3'-3 1/2"	1 1/2"	1"	1 3/4"	4 3/4"

HOW TO ORDER

FIGURE # PIPE NPS OPTIONS
 - -

EXAMPLE: HPS-4001-20"

FIGURE 4002 (2) HALF ROUND RODS, (2) GUIDE U-BOLTS



NPS	A	C	D	F	H	W	Z	ZT	ZZ
1/2"	3/4"	5/16"	1 3/16"	2 1/2"	3/4"	1/4"	7/16"	3/16"	2 3/8"
3/4"	13/16"	5/16"	1 3/8"	3"	3/4"	1/4"	1/2"	3/16"	2 3/8"
1"	1"	5/16"	1 5/8"	3"	3/4"	1/4"	11/16"	3/16"	2 3/8"
1 1/2"	1 3/8"	7/16"	2 3/8"	4"	1"	3/8"	15/16"	1/4"	2 1/2"
2"	1 5/8"	7/16"	2 13/16"	4 1/2"	1"	3/8"	15/16"	1/4"	2 1/2"
3"	2 3/16"	7/16"	4 1/16"	6"	1"	1/2"	1 5/16"	1/4"	3"
4"	2 11/16"	7/16"	5 1/16"	7"	1"	1/2"	1 5/16"	1/4"	3"
6"	3 3/4"	7/16"	7 3/8"	9"	1"	5/8"	1 1/2"	1/4"	3 3/4"
8"	4 3/4"	7/16"	9 3/8"	11"	1"	5/8"	1 1/2"	1/4"	3 3/4"
10"	6 1/16"	11/16"	11 5/8"	1'-1 1/2"	1 1/2"	3/4"	1 13/16"	3/16"	4"
12"	7 1/16"	11/16"	1'-1 3/4"	1'-4"	1 1/2"	7/8"	1 13/16"	3/16"	4 1/4"
14"	7 11/16"	11/16"	1'-3"	1'-5"	1 1/2"	7/8"	1 13/16"	3/16"	4 1/4"
16"	8 11/16"	11/16"	1'-5"	1'-7"	1 1/2"	7/8"	1 13/16"	3/16"	4 1/4"
18"	9 11/16"	11/16"	1'-7 1/8"	1'-9 1/2"	1 1/2"	1"	1 7/8"	3/16"	4 3/4"
20"	10 11/16"	11/16"	1'-9 1/8"	1'-11 1/2"	1 1/2"	1"	1 7/8"	3/16"	4 3/4"
24"	1'-0 11/16"	11/16"	2'-1 1/8"	2'-3 1/2"	1 1/2"	1"	1 7/8"	3/16"	4 3/4"
30"	1'-3 11/16"	11/16"	2'-7 1/8"	2'-9 1/2"	1 1/2"	1"	1 7/8"	3/16"	4 3/4"
36"	1'-6 11/16"	11/16"	3'-1 1/8"	3'-3 1/2"	1 1/2"	1"	1 7/8"	3/16"	4 3/4"

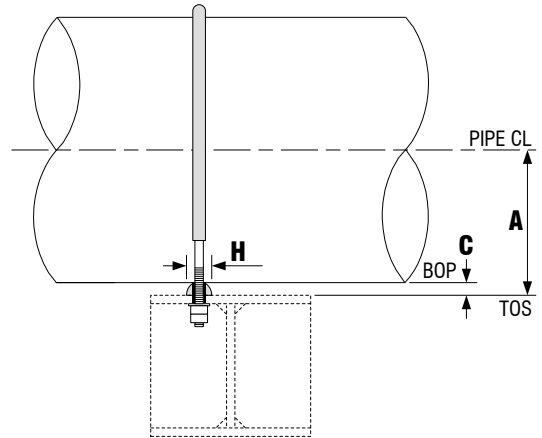
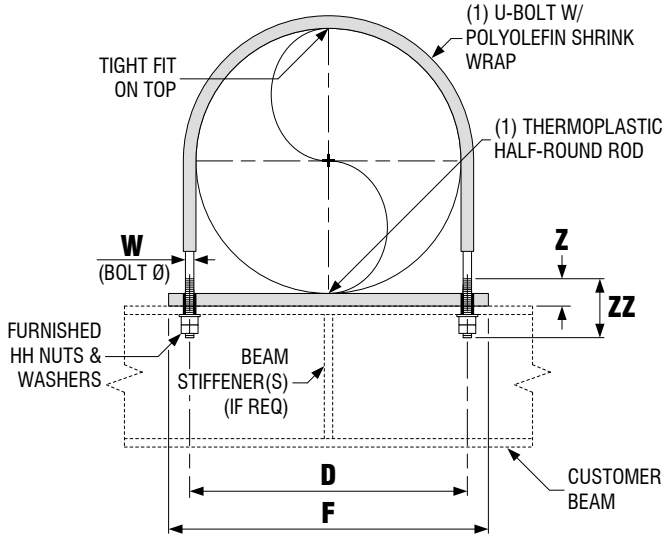
HOW TO ORDER

FIGURE # PIPE NPS OPTIONS
 - -

EXAMPLE: HPS-4002-20"

FIGURE 4003

**(1) HALF ROUND ROD,
(1) HOLD DOWN U-BOLT**



NPS	A	C	D	F	H	W	Z	ZZ
1/2"	3/4"	5/16"	1 3/16"	2 1/2"	3/4"	1/4"	5/16"	2 3/8"
3/4"	13/16"	5/16"	1 3/8"	3"	3/4"	1/4"	3/8"	2 3/8"
1"	1"	5/16"	1 5/8"	3"	3/4"	1/4"	9/16"	2 3/8"
1 1/2"	1 3/8"	7/16"	2 3/8"	4"	1"	3/8"	13/16"	2 1/2"
2"	1 5/8"	7/16"	2 13/16"	4 1/2"	1"	3/8"	13/16"	2 1/2"
3"	2 3/16"	7/16"	4 1/16"	6"	1"	1/2"	1 3/16"	3"
4"	2 11/16"	7/16"	5 1/16"	7"	1"	1/2"	1 3/16"	3"
6"	3 3/4"	7/16"	7 3/8"	9"	1"	5/8"	1 3/8"	3 3/4"
8"	4 3/4"	7/16"	9 3/8"	11"	1"	5/8"	1 3/8"	3 3/4"
10"	6 1/16"	11/16"	11 5/8"	1'-1 1/2"	1 1/2"	3/4"	1 11/16"	4"
12"	7 1/16"	11/16"	1'-1 3/4"	1'-4"	1 1/2"	7/8"	1 11/16"	4 1/4"
14"	7 11/16"	11/16"	1'-3"	1'-5"	1 1/2"	7/8"	1 11/16"	4 1/4"
16"	8 11/16"	11/16"	1'-5"	1'-7"	1 1/2"	7/8"	1 11/16"	4 1/4"
18"	9 11/16"	11/16"	1'-7 1/8"	1'-9 1/2"	1 1/2"	1"	1 3/4"	4 3/4"
20"	10 11/16"	11/16"	1'-9 1/8"	1'-11 1/2"	1 1/2"	1"	1 3/4"	4 3/4"
24"	1'-0 11/16"	11/16"	2'-1 1/8"	2'-3 1/2"	1 1/2"	1"	1 3/4"	4 3/4"
30"	1'-3 11/16"	11/16"	2'-7 1/8"	2'-9 1/2"	1 1/2"	1"	1 3/4"	4 3/4"
36"	1'-6 11/16"	11/16"	3'-1 1/8"	3'-3 1/2"	1 1/2"	1"	1 3/4"	4 3/4"

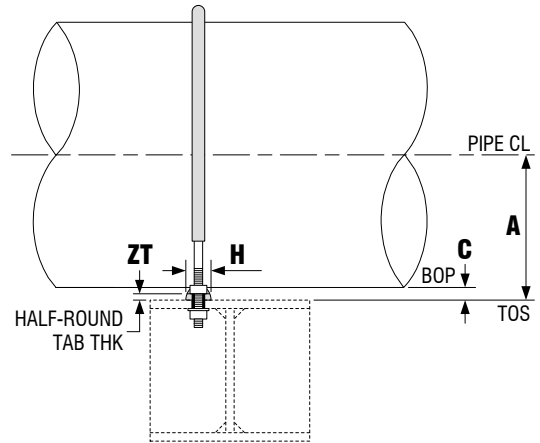
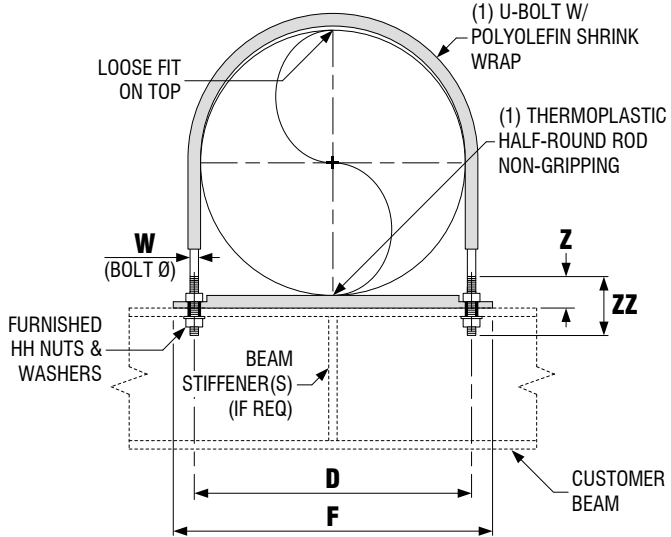
HOW TO ORDER

FIGURE # PIPE NPS OPTIONS
 - -

EXAMPLE: HPS-4003-20"

FIGURE 4004

**(1) HALF ROUND ROD,
(1) GUIDE U-BOLT**



NPS	A	C	D	F	H	W	Z	ZT	ZZ
1/2"	3/4"	5/16"	1 3/16"	2 1/2"	3/4"	1/4"	7/16"	3/16"	2 3/8"
3/4"	13/16"	5/16"	1 3/8"	3"	3/4"	1/4"	1/2"	3/16"	2 3/8"
1"	1"	5/16"	1 5/8"	3"	3/4"	1/4"	11/16"	3/16"	2 3/8"
1 1/2"	1 3/8"	7/16"	2 3/8"	4"	1"	3/8"	15/16"	1/4"	2 1/2"
2"	1 5/8"	7/16"	2 13/16"	4 1/2"	1"	3/8"	15/16"	1/4"	2 1/2"
3"	2 3/16"	7/16"	4 1/16"	6"	1"	1/2"	1 5/16"	1/4"	3"
4"	2 11/16"	7/16"	5 1/16"	7"	1"	1/2"	1 5/16"	1/4"	3"
6"	3 3/4"	7/16"	7 3/8"	9"	1"	5/8"	1 1/2"	1/4"	3 3/4"
8"	4 3/4"	7/16"	9 3/8"	11"	1"	5/8"	1 1/2"	1/4"	3 3/4"
10"	6 1/16"	11/16"	11 5/8"	1'-1 1/2"	1 1/2"	3/4"	1 13/16"	3/16"	4"
12"	7 1/16"	11/16"	1'-1 3/4"	1'-4"	1 1/2"	7/8"	1 13/16"	3/16"	4 1/4"
14"	7 11/16"	11/16"	1'-3"	1'-5"	1 1/2"	7/8"	1 13/16"	3/16"	4 1/4"
16"	8 11/16"	11/16"	1'-5"	1'-7"	1 1/2"	7/8"	1 13/16"	3/16"	4 1/4"
18"	9 11/16"	11/16"	1'-7 1/8"	1'-9 1/2"	1 1/2"	1"	1 7/8"	3/16"	4 3/4"
20"	10 11/16"	11/16"	1'-9 1/8"	1'-11 1/2"	1 1/2"	1"	1 7/8"	3/16"	4 3/4"
24"	1'-0 11/16"	11/16"	2'-1 1/8"	2'-3 1/2"	1 1/2"	1"	1 7/8"	3/16"	4 3/4"
30"	1'-3 11/16"	11/16"	2'-7 1/8"	2'-9 1/2"	1 1/2"	1"	1 7/8"	3/16"	4 3/4"
36"	1'-6 11/16"	11/16"	3'-1 1/8"	3'-3 1/2"	1 1/2"	1"	1 7/8"	3/16"	4 3/4"

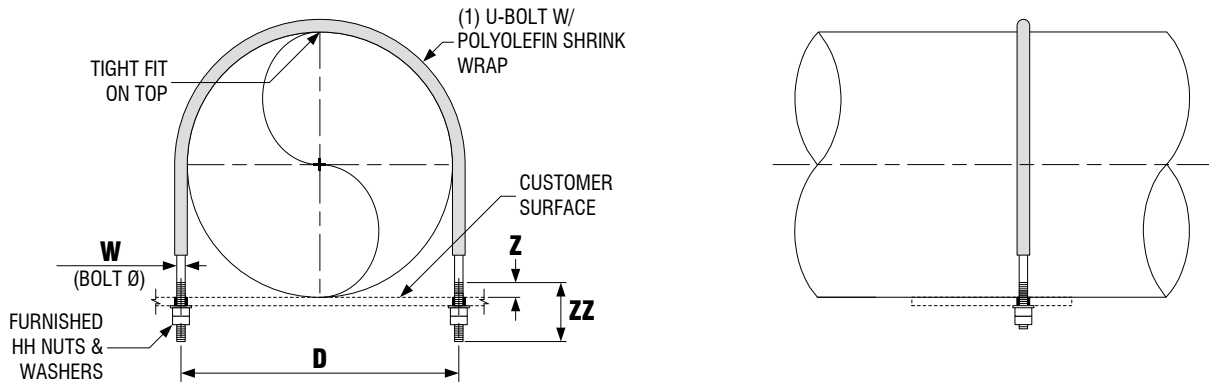
HOW TO ORDER

FIGURE # PIPE NPS OPTIONS

HPS-4004 - -

EXAMPLE: HPS-4004-20"

FIGURE 4005 (1) HOLD DOWN U-BOLT



NPS	D	W	Z	ZZ
1/2"	1 3/16"	1/4"	0"	2 3/8"
3/4"	1 3/8"	1/4"	1/16"	2 3/8"
1"	1 5/8"	1/4"	1/4"	2 3/8"
1 1/2"	2 3/8"	3/8"	3/8"	2 1/2"
2"	2 13/16"	3/8"	3/8"	2 1/2"
3"	4 1/16"	1/2"	3/4"	3"
4"	5 1/16"	1/2"	3/4"	3"
6"	7 3/8"	5/8"	15/16"	3 3/4"
8"	9 3/8"	5/8"	15/16"	3 3/4"
10"	11 5/8"	3/4"	1"	4"
12"	1'-1 3/4"	7/8"	1"	4 1/4"
14"	1'-3"	7/8"	1"	4 1/4"
16"	1'-5"	7/8"	1"	4 1/4"
18"	1'-7 1/8"	1"	1 1/16"	4 3/4"
20"	1'-9 1/8"	1"	1 1/16"	4 3/4"
24"	2'-1 1/8"	1"	1 1/16"	4 3/4"
30"	2'-7 1/8"	1"	1 1/16"	4 3/4"
36"	3'-1 1/8"	1"	1 1/16"	4 3/4"

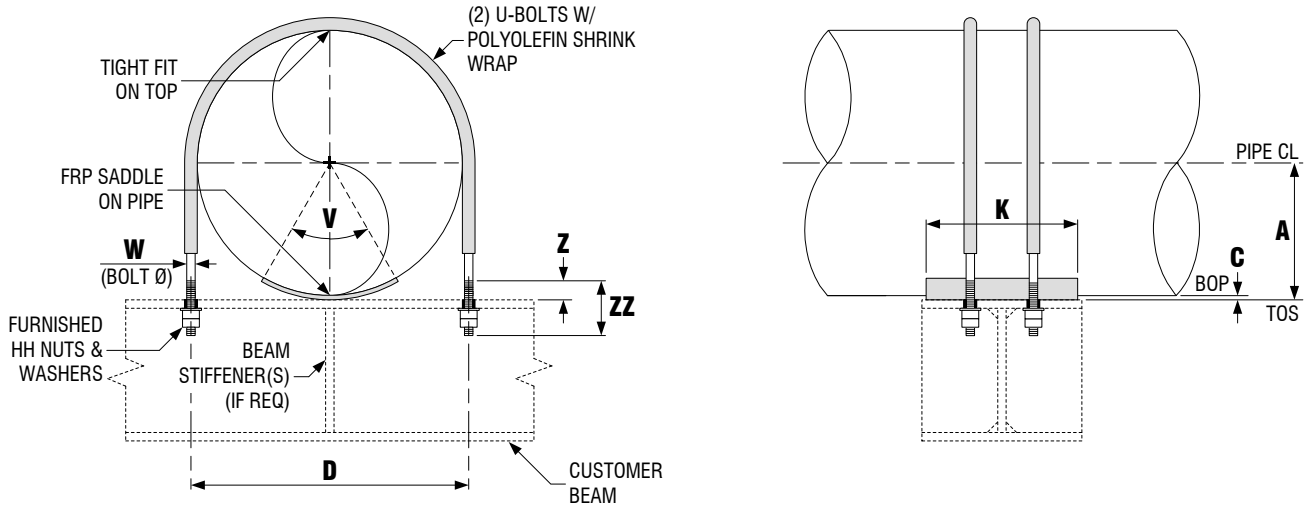
HOW TO ORDER

FIGURE # PIPE NPS OPTIONS

HPS-4005 - -

EXAMPLE: HPS-4005-20"

FIGURE 4101 FRP SADDLE, (2) HOLD DOWN U-BOLTS



NPS	A	C	D	K	V	W	Z	ZZ
1/2"	11/16"	1/4"	1 3/16"	1'-0"	90°	1/4"	1/4"	2 3/8"
3/4"	3/4"	1/4"	1 3/8"	1'-0"	90°	1/4"	5/16"	2 3/8"
1"	15/16"	1/4"	1 5/8"	1'-0"	90°	1/4"	1/2"	2 3/8"
1 1/2"	1 3/16"	1/4"	2 3/8"	1'-0"	90°	3/8"	5/8"	2 1/2"
2"	1 7/16"	1/4"	2 13/16"	1'-0"	90°	3/8"	5/8"	2 1/2"
3"	2"	1/4"	4 1/16"	1'-0"	90°	1/2"	1"	3"
4"	2 1/2"	1/4"	5 1/16"	1'-0"	90°	1/2"	1"	3"
6"	3 9/16"	1/4"	7 3/8"	1'-0"	60°	5/8"	1 3/16"	3 3/4"
8"	4 9/16"	1/4"	9 3/8"	1'-0"	60°	5/8"	1 3/16"	3 3/4"
10"	5 5/8"	1/4"	11 5/8"	1'-0"	60°	3/4"	1 1/4"	4"
12"	6 5/8"	1/4"	1'-1 3/4"	1'-0"	30°	7/8"	1 1/4"	4 1/4"
14"	7 1/4"	1/4"	1'-3"	1'-0"	30°	7/8"	1 1/4"	4 1/4"
16"	8 1/4"	1/4"	1'-5"	1'-0"	30°	7/8"	1 1/4"	4 1/4"
18"	9 1/4"	1/4"	1'-7 1/8"	1'-0"	30°	1"	1 5/16"	4 3/4"
20"	10 1/4"	1/4"	1'-9 1/8"	1'-0"	30°	1"	1 5/16"	4 3/4"
24"	1'-0 3/8"	3/8"	2'-1 1/8"	1'-0"	30°	1"	1 7/16"	4 3/4"
30"	1'-3 3/8"	3/8"	2'-7 1/8"	1'-0"	30°	1"	1 7/16"	4 3/4"
36"	1'-6 3/8"	3/8"	3'-1 1/8"	1'-0"	30°	1"	1 7/16"	4 3/4"

HOW TO ORDER

FIGURE # PIPE NPS OPTIONS
 - -

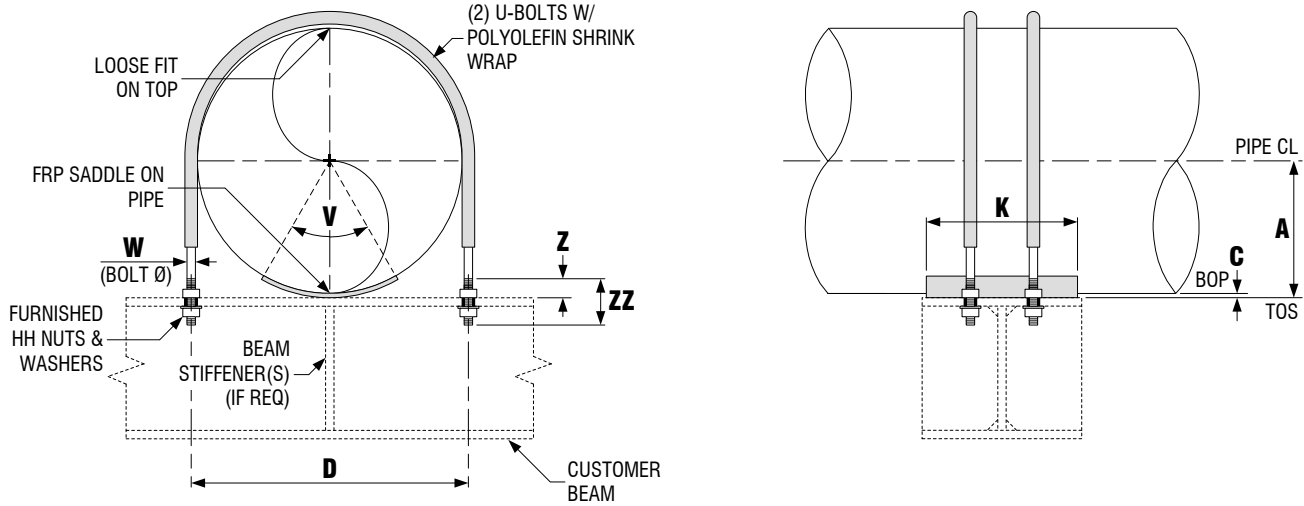
EXAMPLE: HPS-4101-20"

NOTES

- FRP SADDLE FURNISHED PRE-ROUGHENED W/ EPOXY

FIGURE 4102

**FRP SADDLE,
(2) GUIDE U-BOLTS**



NPS	A	C	D	K	V	W	Z	ZZ
1/2"	11/16"	1/4"	1 3/16"	1'-0"	90°	1/4"	3/8"	2 3/8"
3/4"	3/4"	1/4"	1 3/8"	1'-0"	90°	1/4"	7/16"	2 3/8"
1"	15/16"	1/4"	1 5/8"	1'-0"	90°	1/4"	5/8"	2 3/8"
1 1/2"	1 3/16"	1/4"	2 3/8"	1'-0"	90°	3/8"	3/4"	2 1/2"
2"	1 7/16"	1/4"	2 13/16"	1'-0"	90°	3/8"	3/4"	2 1/2"
3"	2"	1/4"	4 1/16"	1'-0"	90°	1/2"	1 1/8"	3"
4"	2 1/2"	1/4"	5 1/16"	1'-0"	90°	1/2"	1 1/8"	3"
6"	3 9/16"	1/4"	7 3/8"	1'-0"	60°	5/8"	1 5/16"	3 3/4"
8"	4 9/16"	1/4"	9 3/8"	1'-0"	60°	5/8"	1 5/16"	3 3/4"
10"	5 5/8"	1/4"	11 5/8"	1'-0"	60°	3/4"	1 3/8"	4"
12"	6 5/8"	1/4"	1'-1 3/4"	1'-0"	30°	7/8"	1 3/8"	4 1/4"
14"	7 1/4"	1/4"	1'-3"	1'-0"	30°	7/8"	1 3/8"	4 1/4"
16"	8 1/4"	1/4"	1'-5"	1'-0"	30°	7/8"	1 3/8"	4 1/4"
18"	9 1/4"	1/4"	1'-7 1/8"	1'-0"	30°	1"	1 7/16"	4 3/4"
20"	10 1/4"	1/4"	1'-9 1/8"	1'-0"	30°	1"	1 7/16"	4 3/4"
24"	1'-0 3/8"	3/8"	2'-1 1/8"	1'-0"	30°	1"	1 9/16"	4 3/4"
30"	1'-3 3/8"	3/8"	2'-7 1/8"	1'-0"	30°	1"	1 9/16"	4 3/4"
36"	1'-6 3/8"	3/8"	3'-1 1/8"	1'-0"	30°	1"	1 9/16"	4 3/4"

HOW TO ORDER

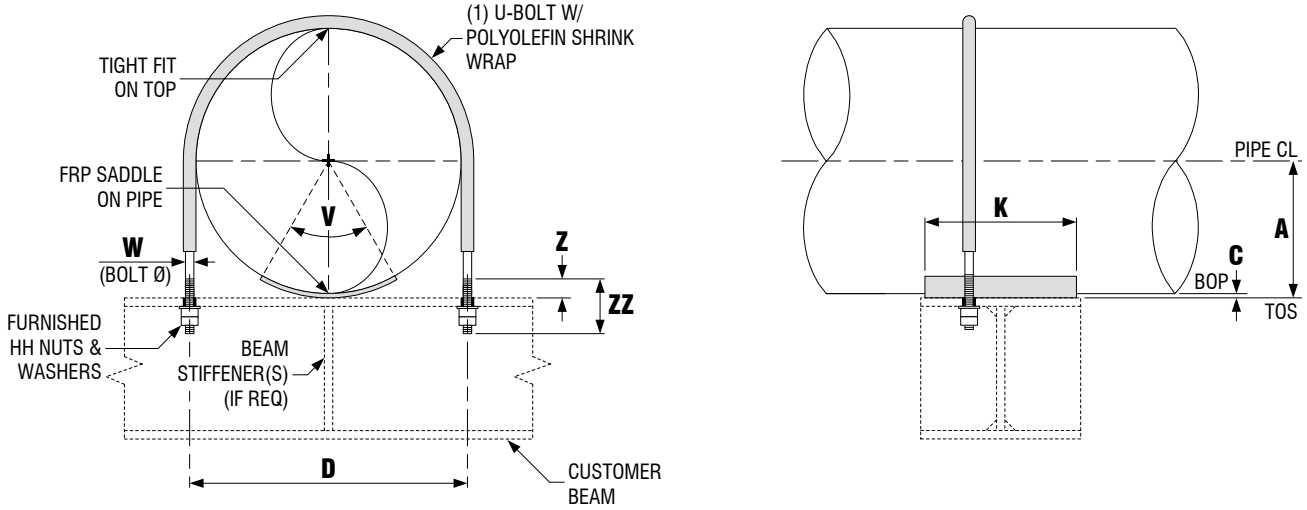
FIGURE # PIPE NPS OPTIONS
 - -

EXAMPLE: HPS-4102-20"

NOTES

- FRP SADDLE FURNISHED PRE-ROUGHENED W/ EPOXY

**FIGURE 4103 FRP SADDLE,
(1) HOLD DOWN U-BOLT**



NPS	A	C	D	K	V	W	Z	ZZ
1/2"	11/16"	1/4"	1 3/16"	1'-0"	90°	1/4"	1/4"	2 3/8"
3/4"	3/4"	1/4"	1 3/8"	1'-0"	90°	1/4"	5/16"	2 3/8"
1"	15/16"	1/4"	1 5/8"	1'-0"	90°	1/4"	1/2"	2 3/8"
1 1/2"	1 3/16"	1/4"	2 3/8"	1'-0"	90°	3/8"	5/8"	2 1/2"
2"	1 7/16"	1/4"	2 13/16"	1'-0"	90°	3/8"	5/8"	2 1/2"
3"	2"	1/4"	4 1/16"	1'-0"	90°	1/2"	1"	3"
4"	2 1/2"	1/4"	5 1/16"	1'-0"	90°	1/2"	1"	3"
6"	3 9/16"	1/4"	7 3/8"	1'-0"	60°	5/8"	1 3/16"	3 3/4"
8"	4 9/16"	1/4"	9 3/8"	1'-0"	60°	5/8"	1 3/16"	3 3/4"
10"	5 5/8"	1/4"	11 5/8"	1'-0"	60°	3/4"	1 1/4"	4"
12"	6 5/8"	1/4"	1'-1 3/4"	1'-0"	30°	7/8"	1 1/4"	4 1/4"
14"	7 1/4"	1/4"	1'-3"	1'-0"	30°	7/8"	1 1/4"	4 1/4"
16"	8 1/4"	1/4"	1'-5"	1'-0"	30°	7/8"	1 1/4"	4 1/4"
18"	9 1/4"	1/4"	1'-7 1/8"	1'-0"	30°	1"	1 5/16"	4 3/4"
20"	10 1/4"	1/4"	1'-9 1/8"	1'-0"	30°	1"	1 5/16"	4 3/4"
24"	1'-0 3/8"	3/8"	2'-1 1/8"	1'-0"	30°	1"	1 7/16"	4 3/4"
30"	1'-3 3/8"	3/8"	2'-7 1/8"	1'-0"	30°	1"	1 7/16"	4 3/4"
36"	1'-6 3/8"	3/8"	3'-1 1/8"	1'-0"	30°	1"	1 7/16"	4 3/4"

HOW TO ORDER

FIGURE # PIPE NPS OPTIONS

HPS-4103 - -

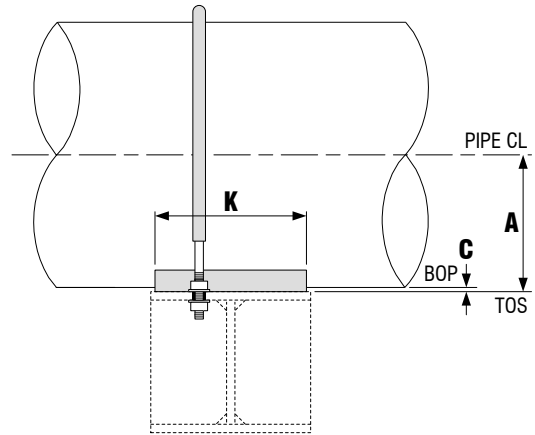
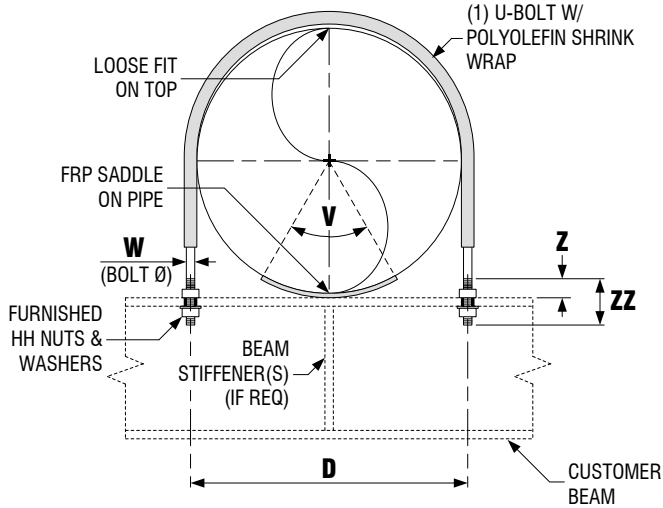
EXAMPLE: HPS-4103-20"

NOTES

- FRP SADDLE FURNISHED PRE-ROUGHENED W/ EPOXY

FIGURE 4104

**FRP SADDLE,
(1) GUIDE U-BOLT**



NPS	A	C	D	K	V	W	Z	ZZ
1/2"	11/16"	1/4"	1 3/16"	1'-0"	90°	1/4"	3/8"	2 3/8"
3/4"	3/4"	1/4"	1 3/8"	1'-0"	90°	1/4"	7/16"	2 3/8"
1"	15/16"	1/4"	1 5/8"	1'-0"	90°	1/4"	5/8"	2 3/8"
1 1/2"	1 3/16"	1/4"	2 3/8"	1'-0"	90°	3/8"	3/4"	2 1/2"
2"	1 7/16"	1/4"	2 13/16"	1'-0"	90°	3/8"	3/4"	2 1/2"
3"	2"	1/4"	4 1/16"	1'-0"	90°	1/2"	1 1/8"	3"
4"	2 1/2"	1/4"	5 1/16"	1'-0"	90°	1/2"	1 1/8"	3"
6"	3 9/16"	1/4"	7 3/8"	1'-0"	60°	5/8"	1 5/16"	3 3/4"
8"	4 9/16"	1/4"	9 3/8"	1'-0"	60°	5/8"	1 5/16"	3 3/4"
10"	5 5/8"	1/4"	11 5/8"	1'-0"	60°	3/4"	1 3/8"	4"
12"	6 5/8"	1/4"	1'-1 3/4"	1'-0"	30°	7/8"	1 3/8"	4 1/4"
14"	7 1/4"	1/4"	1'-3"	1'-0"	30°	7/8"	1 3/8"	4 1/4"
16"	8 1/4"	1/4"	1'-5"	1'-0"	30°	7/8"	1 3/8"	4 1/4"
18"	9 1/4"	1/4"	1'-7 1/8"	1'-0"	30°	1"	1 7/16"	4 3/4"
20"	10 1/4"	1/4"	1'-9 1/8"	1'-0"	30°	1"	1 7/16"	4 3/4"
24"	1'-0 3/8"	3/8"	2'-1 1/8"	1'-0"	30°	1"	1 9/16"	4 3/4"
30"	1'-3 3/8"	3/8"	2'-7 1/8"	1'-0"	30°	1"	1 9/16"	4 3/4"
36"	1'-6 3/8"	3/8"	3'-1 1/8"	1'-0"	30°	1"	1 9/16"	4 3/4"

HOW TO ORDER

FIGURE # PIPE NPS OPTIONS

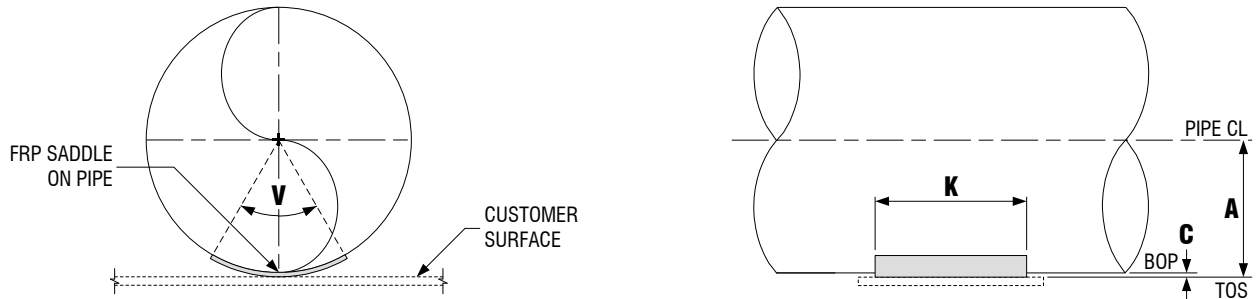
HPS-4104 - -

EXAMPLE: HPS-4104-20"

NOTES

- FRP SADDLE FURNISHED PRE-ROUGHENED W/ EPOXY

FIGURE 4105 FRP SADDLE



NPS	A	C	K	V
1/2"	11/16"	1/4"	1'-0"	90°
3/4"	3/4"	1/4"	1'-0"	90°
1"	15/16"	1/4"	1'-0"	90°
1 1/2"	1 3/16"	1/4"	1'-0"	90°
2"	1 7/16"	1/4"	1'-0"	90°
3"	2"	1/4"	1'-0"	90°
4"	2 1/2"	1/4"	1'-0"	90°
6"	3 9/16"	1/4"	1'-0"	60°
8"	4 9/16"	1/4"	1'-0"	60°
10"	5 5/8"	1/4"	1'-0"	60°
12"	6 5/8"	1/4"	1'-0"	30°
14"	7 1/4"	1/4"	1'-0"	30°
16"	8 1/4"	1/4"	1'-0"	30°
18"	9 1/4"	1/4"	1'-0"	30°
20"	10 1/4"	1/4"	1'-0"	30°
24"	1'-0 3/8"	3/8"	1'-0"	30°
30"	1'-3 3/8"	3/8"	1'-0"	30°
36"	1'-6 3/8"	3/8"	1'-0"	30°

HOW TO ORDER

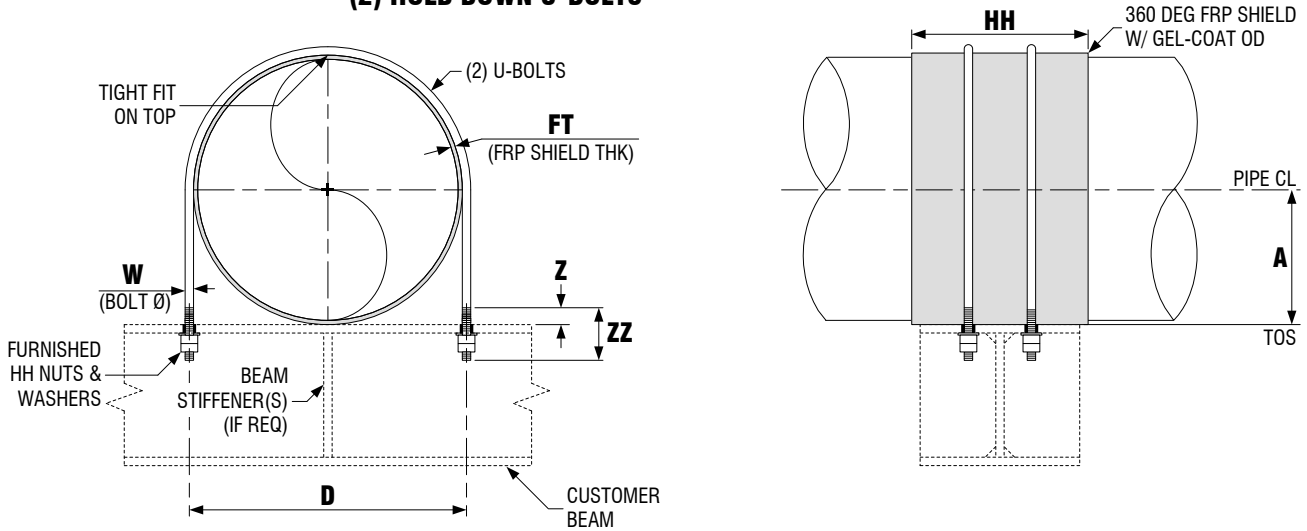
FIGURE # PIPE NPS OPTIONS
 - -

EXAMPLE: HPS-4105-20"

NOTES

- FRP SADDLE FURNISHED PRE-ROUGHENED W/ EPOXY

FIGURE 4111 FRP SHIELD, (2) HOLD DOWN U-BOLTS



NPS	A	D	HH	W	Z	ZZ
1/2"	7/16" +FT	1 3/16" +2FT	1'-0"	1/4"	-1/16" +2FT	2 3/8"
3/4"	1/2" +FT	1 3/8" +2FT	1'-0"	1/4"	0" +2FT	2 3/8"
1"	11/16" +FT	1 5/8" +2FT	1'-0"	1/4"	3/16" +2FT	2 3/8"
1 1/2"	15/16" +FT	2 3/8" +2FT	1'-0"	3/8"	5/16" +2FT	2 1/2"
2"	1 3/16" +FT	2 13/16" +2FT	1'-0"	3/8"	5/16" +2FT	2 1/2"
3"	1 3/4" +FT	4 1/16" +2FT	1'-0"	1/2"	11/16" +2FT	3"
4"	2 1/4" +FT	5 1/16" +2FT	1'-0"	1/2"	11/16" +2FT	3"
6"	3 5/16" +FT	7 3/8" +2FT	1'-0"	5/8"	7/8" +2FT	3 3/4"
8"	4 5/16" +FT	9 3/8" +2FT	1'-0"	5/8"	7/8" +2FT	3 3/4"
10"	5 3/8" +FT	11 5/8" +2FT	1'-0"	3/4"	15/16" +2FT	4"
12"	6 3/8" +FT	1'-1 3/4" +2FT	1'-0"	7/8"	15/16" +2FT	4 1/4"
14"	7" +FT	1'-3" +2FT	1'-0"	7/8"	15/16" +2FT	4 1/4"
16"	8" +FT	1'-5" +2FT	1'-0"	7/8"	15/16" +2FT	4 1/4"
18"	9" +FT	1'-7 1/8" +2FT	1'-0"	1"	1" +2FT	4 3/4"
20"	10" +FT	1'-9 1/8" +2FT	1'-0"	1"	1" +2FT	4 3/4"
24"	1'-0" +FT	2'-1 1/8" +2FT	1'-0"	1"	1" +2FT	4 3/4"
30"	1'-3" +FT	2'-7 1/8" +2FT	1'-3"	1"	1" +2FT	4 3/4"
36"	1'-6" +FT	3'-1 1/8" +2FT	1'-6"	1"	1" +2FT	4 3/4"

HOW TO ORDER

FIGURE # PIPE NPS "FT" DIM OPTIONS

HPS-4111 - - -

OPTION CODES

NF - FRP/EPOXY BY CUSTOMER

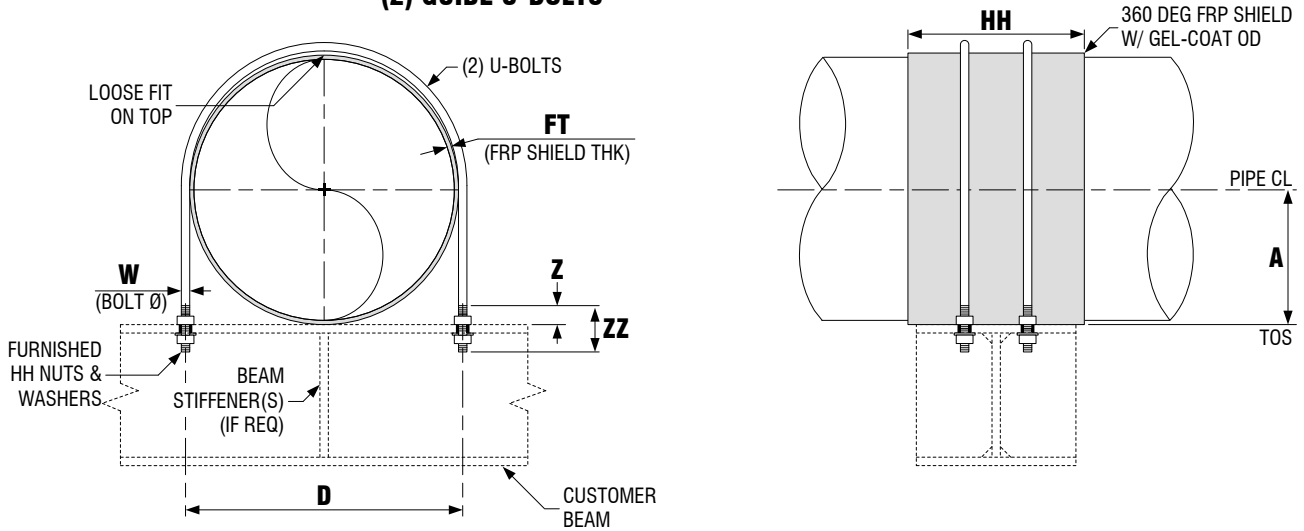
NOTES

1. FRP SHIELD FURNISHED PRE-ROUGHENED W/ EPOXY

EXAMPLE: HPS-4111-20"-0.25"

FIGURE 4112

**FRP SHIELD,
(2) GUIDE U-BOLTS**



NPS	A	D	HH	W	Z	ZZ
1/2"	7/16" +FT	1 3/16" +2FT	1'-0"	1/4"	0" +2FT	2 3/8"
3/4"	1/2" +FT	1 3/8" +2FT	1'-0"	1/4"	1/8" +2FT	2 3/8"
1"	11/16" +FT	1 5/8" +2FT	1'-0"	1/4"	5/16" +2FT	2 3/8"
1 1/2"	15/16" +FT	2 3/8" +2FT	1'-0"	3/8"	7/16" +2FT	2 1/2"
2"	1 3/16" +FT	2 13/16" +2FT	1'-0"	3/8"	7/16" +2FT	2 1/2"
3"	1 3/4" +FT	4 1/16" +2FT	1'-0"	1/2"	13/16" +2FT	3"
4"	2 1/4" +FT	5 1/16" +2FT	1'-0"	1/2"	13/16" +2FT	3"
6"	3 5/16" +FT	7 3/8" +2FT	1'-0"	5/8"	1" +2FT	3 3/4"
8"	4 5/16" +FT	9 3/8" +2FT	1'-0"	5/8"	1" +2FT	3 3/4"
10"	5 3/8" +FT	11 5/8" +2FT	1'-0"	3/4"	1 1/16" +2FT	4"
12"	6 3/8" +FT	1'-1 3/4" +2FT	1'-0"	7/8"	1 1/16" +2FT	4 1/4"
14"	7" +FT	1'-3" +2FT	1'-0"	7/8"	1 1/16" +2FT	4 1/4"
16"	8" +FT	1'-5" +2FT	1'-0"	7/8"	1 1/16" +2FT	4 1/4"
18"	9" +FT	1'-7 1/8" +2FT	1'-0"	1"	1 1/8" +2FT	4 3/4"
20"	10" +FT	1'-9 1/8" +2FT	1'-0"	1"	1 1/8" +2FT	4 3/4"
24"	1'-0" +FT	2'-1 1/8" +2FT	1'-0"	1"	1 1/8" +2FT	4 3/4"
30"	1'-3" +FT	2'-7 1/8" +2FT	1'-3"	1"	1 1/8" +2FT	4 3/4"
36"	1'-6" +FT	3'-1 1/8" +2FT	1'-6"	1"	1 1/8" +2FT	4 3/4"

HOW TO ORDER

FIGURE # PIPE NPS "FT" DIM OPTIONS

HPS-4112 - - -

OPTION CODES

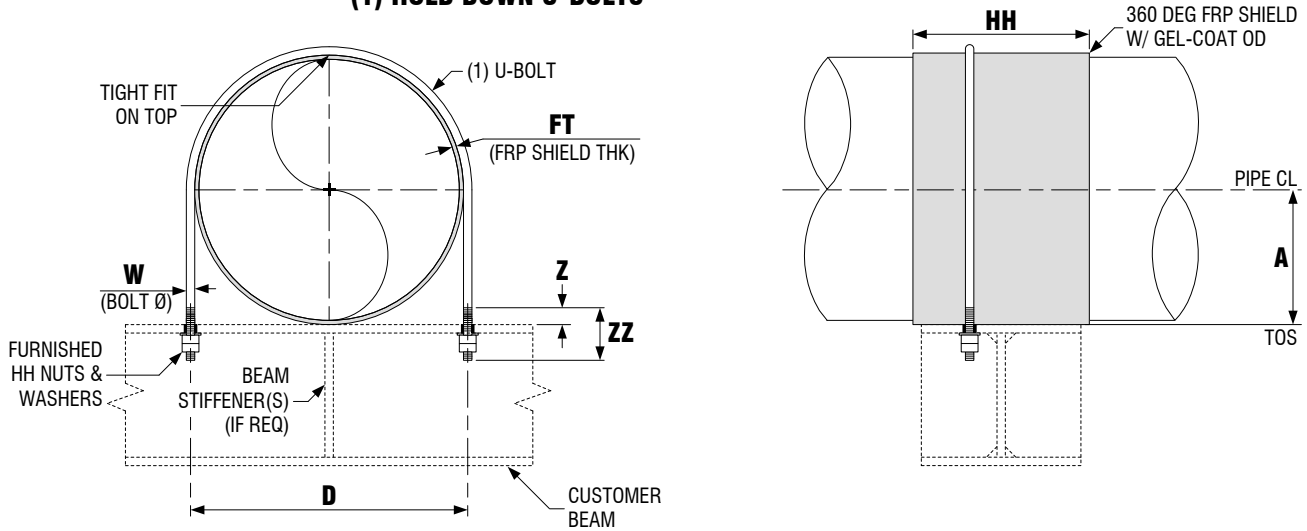
NF – FRP/EPOXY BY CUSTOMER

NOTES

1. FRP SHIELD FURNISHED PRE-ROUGHENED W/ EPOXY

EXAMPLE: HPS-4112-20"-0.25"

FIGURE 4113 FRP SHIELD, (1) HOLD DOWN U-BOLTS



NPS	A	D	HH	W	Z	ZZ
1/2"	7/16" +FT	1 3/16" +2FT	1'-0"	1/4"	-1/16" +2FT	2 3/8"
3/4"	1/2" +FT	1 3/8" +2FT	1'-0"	1/4"	0" +2FT	2 3/8"
1"	11/16" +FT	1 5/8" +2FT	1'-0"	1/4"	3/16" +2FT	2 3/8"
1 1/2"	15/16" +FT	2 3/8" +2FT	1'-0"	3/8"	5/16" +2FT	2 1/2"
2"	1 3/16" +FT	2 13/16" +2FT	1'-0"	3/8"	5/16" +2FT	2 1/2"
3"	1 3/4" +FT	4 1/16" +2FT	1'-0"	1/2"	11/16" +2FT	3"
4"	2 1/4" +FT	5 1/16" +2FT	1'-0"	1/2"	11/16" +2FT	3"
6"	3 5/16" +FT	7 3/8" +2FT	1'-0"	5/8"	7/8" +2FT	3 3/4"
8"	4 5/16" +FT	9 3/8" +2FT	1'-0"	5/8"	7/8" +2FT	3 3/4"
10"	5 3/8" +FT	11 5/8" +2FT	1'-0"	3/4"	15/16" +2FT	4"
12"	6 3/8" +FT	1'-1 3/4" +2FT	1'-0"	7/8"	15/16" +2FT	4 1/4"
14"	7" +FT	1'-3" +2FT	1'-0"	7/8"	15/16" +2FT	4 1/4"
16"	8" +FT	1'-5" +2FT	1'-0"	7/8"	15/16" +2FT	4 1/4"
18"	9" +FT	1'-7 1/8" +2FT	1'-0"	1"	1" +2FT	4 3/4"
20"	10" +FT	1'-9 1/8" +2FT	1'-0"	1"	1" +2FT	4 3/4"
24"	1'-0" +FT	2'-1 1/8" +2FT	1'-0"	1"	1" +2FT	4 3/4"
30"	1'-3" +FT	2'-7 1/8" +2FT	1'-3"	1"	1" +2FT	4 3/4"
36"	1'-6" +FT	3'-1 1/8" +2FT	1'-6"	1"	1" +2FT	4 3/4"

HOW TO ORDER

FIGURE # PIPE NPS "FT" DIM OPTIONS

HPS-4113 - - -

OPTION CODES

NF - FRP/EPOXY BY CUSTOMER

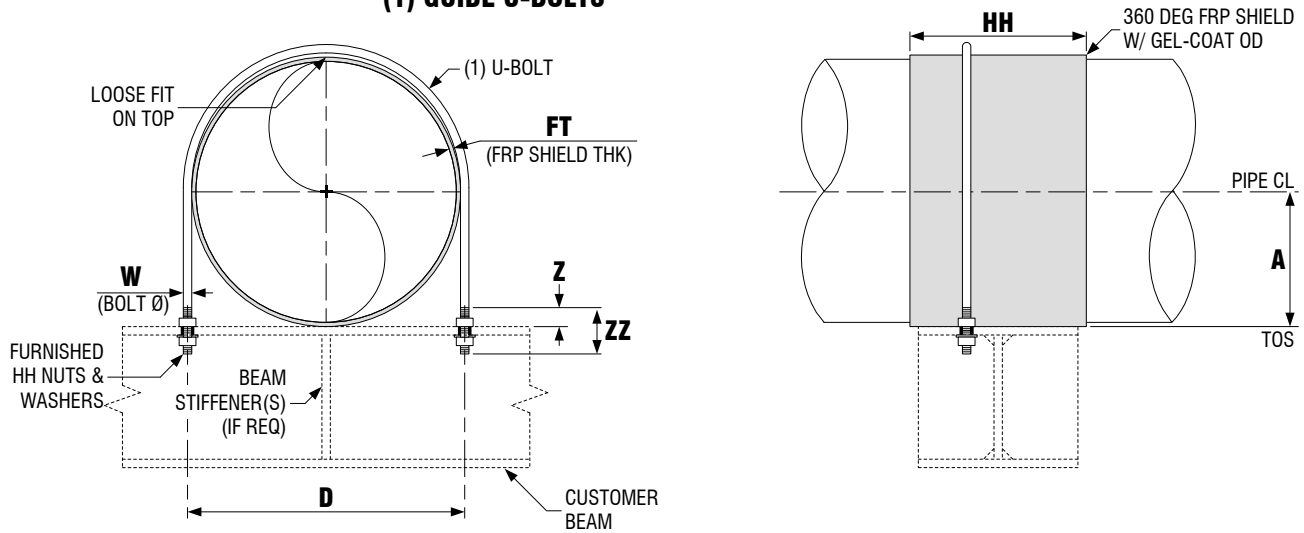
NOTES

1. FRP SHIELD FURNISHED PRE-ROUGHENED W/ EPOXY

EXAMPLE: HPS-4113-20"-0.25"

FIGURE 4114

**FRP SHIELD,
(1) GUIDE U-BOLTS**



NPS	A	D	HH	W	Z	ZZ
1/2"	7/16" +FT	1 3/16" +2FT	1'-0"	1/4"	0" +2FT	2 3/8"
3/4"	1/2" +FT	1 3/8" +2FT	1'-0"	1/4"	1/8" +2FT	2 3/8"
1"	11/16" +FT	1 5/8" +2FT	1'-0"	1/4"	5/16" +2FT	2 3/8"
1 1/2"	15/16" +FT	2 3/8" +2FT	1'-0"	3/8"	7/16" +2FT	2 1/2"
2"	1 3/16" +FT	2 13/16" +2FT	1'-0"	3/8"	7/16" +2FT	2 1/2"
3"	1 3/4" +FT	4 1/16" +2FT	1'-0"	1/2"	13/16" +2FT	3"
4"	2 1/4" +FT	5 1/16" +2FT	1'-0"	1/2"	13/16" +2FT	3"
6"	3 5/16" +FT	7 3/8" +2FT	1'-0"	5/8"	1" +2FT	3 3/4"
8"	4 5/16" +FT	9 3/8" +2FT	1'-0"	5/8"	1" +2FT	3 3/4"
10"	5 3/8" +FT	11 5/8" +2FT	1'-0"	3/4"	1 1/16" +2FT	4"
12"	6 3/8" +FT	1'-1 3/4" +2FT	1'-0"	7/8"	1 1/16" +2FT	4 1/4"
14"	7" +FT	1'-3" +2FT	1'-0"	7/8"	1 1/16" +2FT	4 1/4"
16"	8" +FT	1'-5" +2FT	1'-0"	7/8"	1 1/16" +2FT	4 1/4"
18"	9" +FT	1'-7 1/8" +2FT	1'-0"	1"	1 1/8" +2FT	4 3/4"
20"	10" +FT	1'-9 1/8" +2FT	1'-0"	1"	1 1/8" +2FT	4 3/4"
24"	1'-0" +FT	2'-1 1/8" +2FT	1'-0"	1"	1 1/8" +2FT	4 3/4"
30"	1'-3" +FT	2'-7 1/8" +2FT	1'-3"	1"	1 1/8" +2FT	4 3/4"
36"	1'-6" +FT	3'-1 1/8" +2FT	1'-6"	1"	1 1/8" +2FT	4 3/4"

HOW TO ORDER

FIGURE # PIPE NPS "FT" DIM OPTIONS

HPS-4114 - - -

EXAMPLE: HPS-4114-20"-0.25"

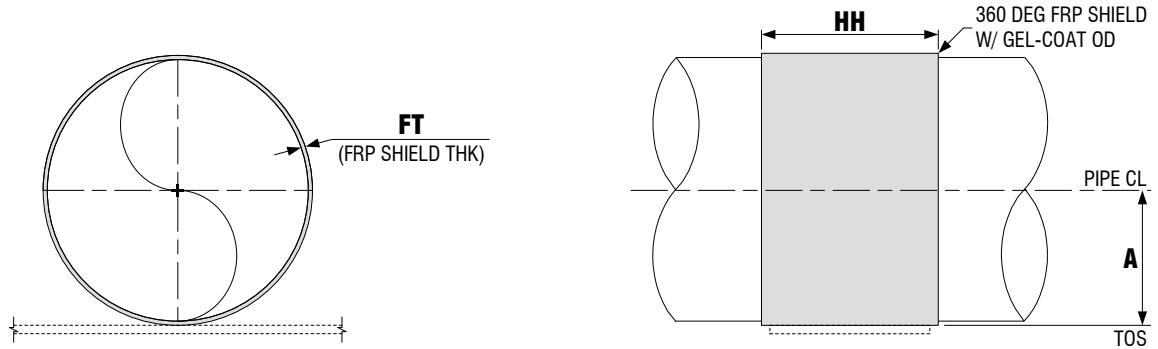
OPTION CODES

NF – FRP/EPOXY BY CUSTOMER

NOTES

1. FRP SHIELD FURNISHED PRE-ROUGHENED W/ EPOXY

FIGURE 4115 FRP SHIELD



NPS	A	HH (STD LENGTH)	HH (ALT LENGTH)
1/2"	7/16" +FT	1'-0"	-
3/4"	1/2" +FT	1'-0"	-
1"	11/16" +FT	1'-0"	-
1 1/2"	15/16" +FT	1'-0"	-
2"	1 3/16" +FT	1'-0"	-
3"	1 3/4" +FT	1'-0"	-
4"	2 1/4" +FT	1'-0"	-
6"	3 5/16" +FT	1'-0"	1'-4"
8"	4 5/16" +FT	1'-0"	1'-4"
10"	5 3/8" +FT	1'-0"	1'-4"
12"	6 3/8" +FT	1'-0"	1'-4"
14"	7" +FT	1'-0"	1'-4"
16"	8" +FT	1'-0"	1'-4"
18"	9" +FT	1'-0"	1'-4"
20"	10" +FT	1'-0"	1'-8"
24"	1'-0" +FT	1'-0"	1'-8"
30"	1'-3" +FT	1'-3"	1'-10"
36"	1'-6" +FT	1'-6"	1'-10"
42"	1'-9" +FT	2'-0"	-
48"	2'-0" +FT	2'-0"	-
54"	2'-3" +FT	2'-3"	-

HOW TO ORDER

FIGURE # PIPE NPS "FT" DIM OPTIONS
 - - -

EXAMPLE: HPS-4115-20"-0.25"

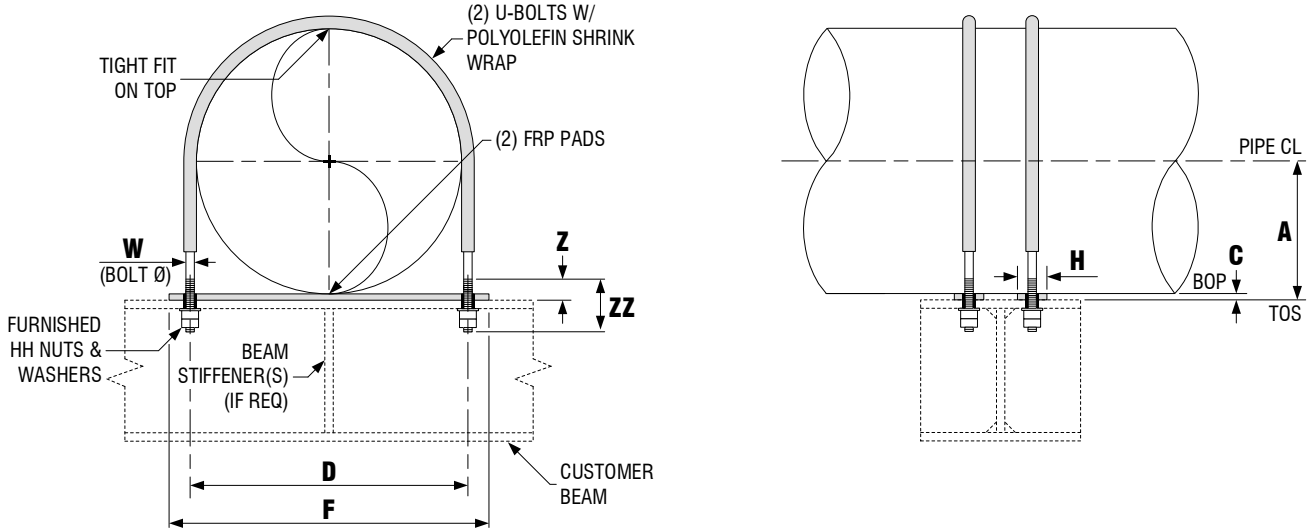
OPTION CODES

AL - ALTERNATE LENGTH

NOTES

1. FRP SHIELD FURNISHED PRE-ROUGHENED W/ EPOXY

FIGURE 4201 (2) FRP PADS,
(2) HOLD DOWN U-BOLTS



NPS	A	C	D	H	F	W	Z	ZZ
1/2"	9/16"	1/8"	1 3/16"	1"	2 3/4"	1/4"	1/8"	2 3/8"
3/4"	5/8"	1/8"	1 3/8"	1"	2 3/4"	1/4"	3/16"	2 3/8"
1"	13/16"	1/8"	1 5/8"	1"	2 3/4"	1/4"	3/8"	2 3/8"
1 1/2"	1 1/16"	1/8"	2 3/8"	1 1/4"	4 1/4"	3/8"	1/2"	2 1/2"
2"	1 5/16"	1/8"	2 13/16"	1 1/4"	4 1/4"	3/8"	1/2"	2 1/2"
3"	1 7/8"	1/8"	4 1/16"	2"	7 3/4"	1/2"	7/8"	3"
4"	2 3/8"	1/8"	5 1/16"	2"	8 1/2"	1/2"	7/8"	3"
6"	3 7/16"	1/8"	7 3/8"	2 1/4"	9 3/4"	5/8"	1 1/16"	3 3/4"
8"	4 7/16"	1/8"	9 3/8"	2 1/4"	11 3/4"	5/8"	1 1/16"	3 3/4"
10"	5 1/2"	1/8"	11 5/8"	2 1/2"	1'-2 1/4"	3/4"	1 1/8"	4"
12"	6 1/2"	1/8"	1'-1 3/4"	2 3/4"	1'-5 1/2"	7/8"	1 1/8"	4 1/4"

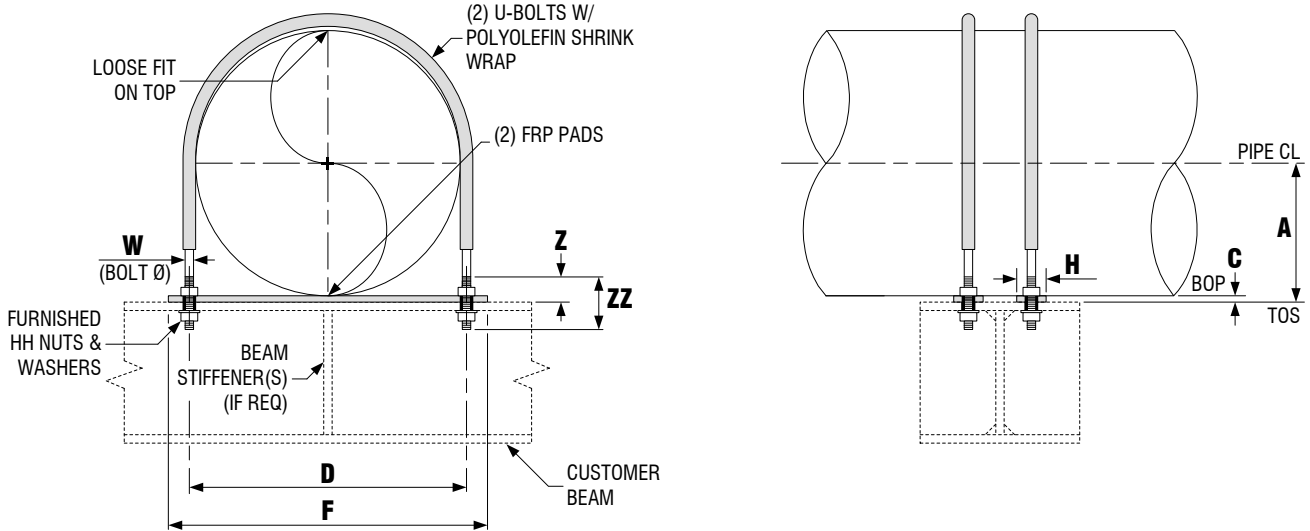
HOW TO ORDER

FIGURE # PIPE NPS OPTIONS
HPS-4201 - -

EXAMPLE: HPS-4201-12"

FIGURE 4202

**(2) FRP PADS,
(2) GUIDE U-BOLTS**



NPS	A	C	D	H	F	W	Z	ZZ
1/2"	9/16"	1/8"	1 3/16"	1"	2 3/4"	1/4"	1/4"	2 3/8"
3/4"	5/8"	1/8"	1 3/8"	1"	2 3/4"	1/4"	5/16"	2 3/8"
1"	13/16"	1/8"	1 5/8"	1"	2 3/4"	1/4"	1/2"	2 3/8"
1 1/2"	1 1/16"	1/8"	2 3/8"	1 1/4"	4 1/4"	3/8"	5/8"	2 1/2"
2"	1 5/16"	1/8"	2 13/16"	1 1/4"	4 1/4"	3/8"	5/8"	2 1/2"
3"	1 7/8"	1/8"	4 1/16"	2"	7 3/4"	1/2"	1"	3"
4"	2 3/8"	1/8"	5 1/16"	2"	8 1/2"	1/2"	1"	3"
6"	3 7/16"	1/8"	7 3/8"	2 1/4"	9 3/4"	5/8"	1 3/16"	3 3/4"
8"	4 7/16"	1/8"	9 3/8"	2 1/4"	11 3/4"	5/8"	1 3/16"	3 3/4"
10"	5 1/2"	1/8"	11 5/8"	2 1/2"	1'-2 1/4"	3/4"	1 1/4"	4"
12"	6 1/2"	1/8"	1'-1 3/4"	2 3/4"	1'-5 1/2"	7/8"	1 1/4"	4 1/4"

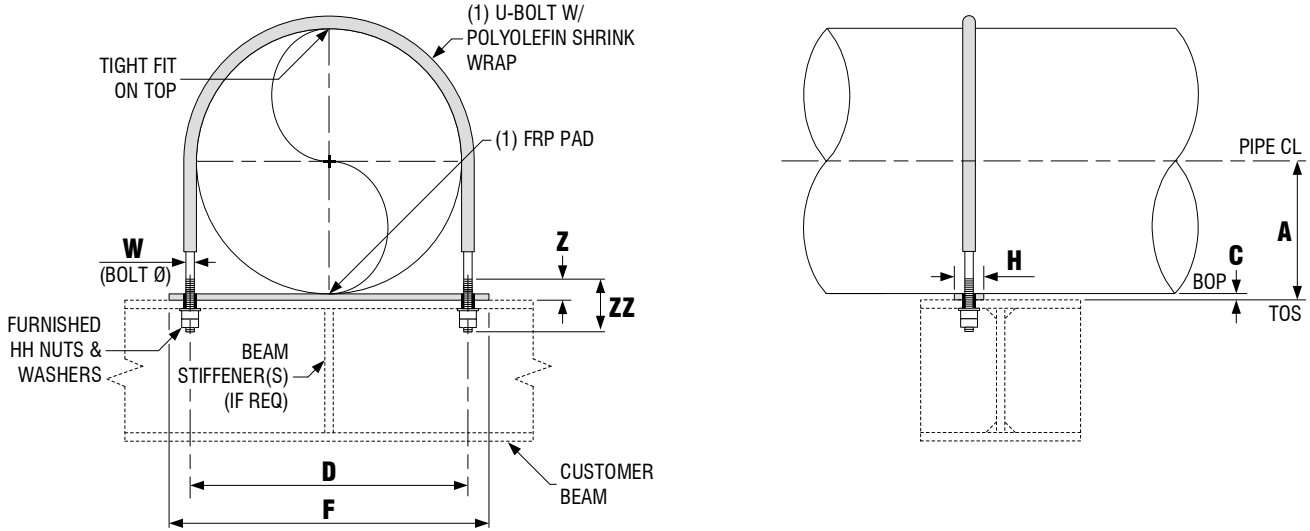
HOW TO ORDER

FIGURE # PIPE NPS OPTIONS
HPS-4202 - -

EXAMPLE: HPS-4202-12"

FIGURE 4203

**(1) FRP PAD,
(1) HOLD DOWN U-BOLT**



NPS	A	C	D	H	F	W	Z	ZZ
1/2"	9/16"	1/8"	1 3/16"	1"	2 3/4"	1/4"	1/8"	2 3/8"
3/4"	5/8"	1/8"	1 3/8"	1"	2 3/4"	1/4"	3/16"	2 3/8"
1"	13/16"	1/8"	1 5/8"	1"	2 3/4"	1/4"	3/8"	2 3/8"
1 1/2"	1 1/16"	1/8"	2 3/8"	1 1/4"	4 1/4"	3/8"	1/2"	2 1/2"
2"	1 5/16"	1/8"	2 13/16"	1 1/4"	4 1/4"	3/8"	1/2"	2 1/2"
3"	1 7/8"	1/8"	4 1/16"	2"	7 3/4"	1/2"	7/8"	3"
4"	2 3/8"	1/8"	5 1/16"	2"	8 1/2"	1/2"	7/8"	3"
6"	3 7/16"	1/8"	7 3/8"	2 1/4"	9 3/4"	5/8"	1 1/16"	3 3/4"
8"	4 7/16"	1/8"	9 3/8"	2 1/4"	11 3/4"	5/8"	1 1/16"	3 3/4"
10"	5 1/2"	1/8"	11 5/8"	2 1/2"	1'-2 1/4"	3/4"	1 1/8"	4"
12"	6 1/2"	1/8"	1'-1 3/4"	2 3/4"	1'-5 1/2"	7/8"	1 1/8"	4 1/4"

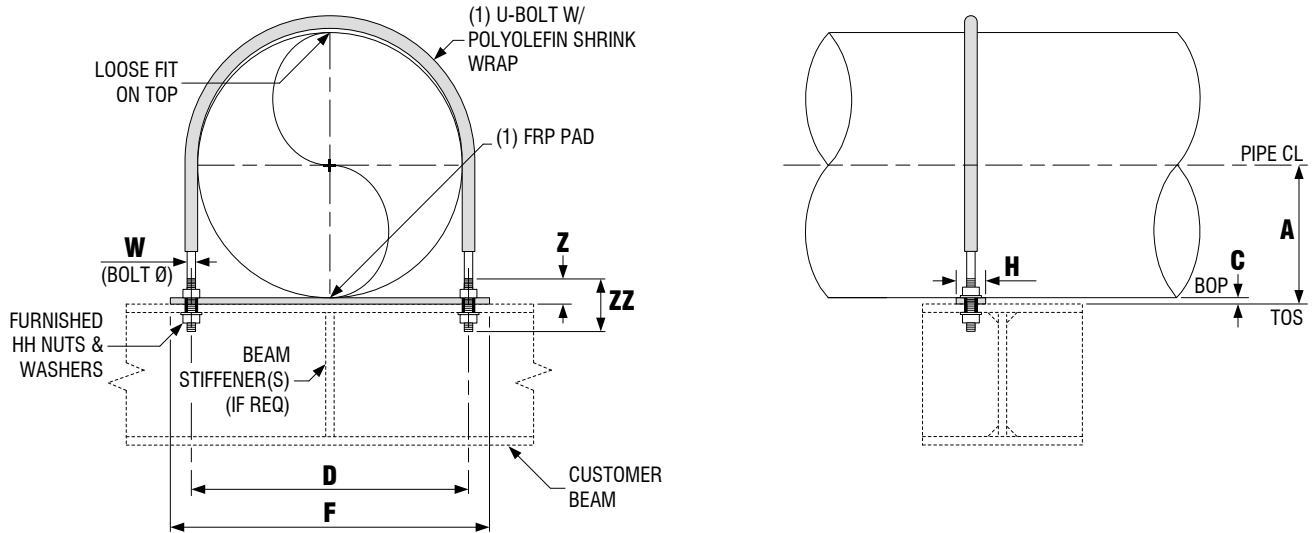
HOW TO ORDER

FIGURE # PIPE NPS OPTIONS
 HPS-4203 - -

EXAMPLE: HPS-4203-12"

FIGURE 4204

**(1) FRP PAD,
(1) GUIDE U-BOLT**



NPS	A	C	D	H	F	W	Z	ZZ
1/2"	9/16"	1/8"	1 3/16"	1"	2 3/4"	1/4"	1/4"	2 3/8"
3/4"	5/8"	1/8"	1 3/8"	1"	2 3/4"	1/4"	5/16"	2 3/8"
1"	13/16"	1/8"	1 5/8"	1"	2 3/4"	1/4"	1/2"	2 3/8"
1 1/2"	1 1/16"	1/8"	2 3/8"	1 1/4"	4 1/4"	3/8"	5/8"	2 1/2"
2"	1 5/16"	1/8"	2 13/16"	1 1/4"	4 1/4"	3/8"	5/8"	2 1/2"
3"	1 7/8"	1/8"	4 1/16"	2"	7 3/4"	1/2"	1"	3"
4"	2 3/8"	1/8"	5 1/16"	2"	8 1/2"	1/2"	1"	3"
6"	3 7/16"	1/8"	7 3/8"	2 1/4"	9 3/4"	5/8"	1 3/16"	3 3/4"
8"	4 7/16"	1/8"	9 3/8"	2 1/4"	11 3/4"	5/8"	1 3/16"	3 3/4"
10"	5 1/2"	1/8"	11 5/8"	2 1/2"	1'-2 1/4"	3/4"	1 1/4"	4"
12"	6 1/2"	1/8"	1'-1 3/4"	2 3/4"	1'-5 1/2"	7/8"	1 1/4"	4 1/4"

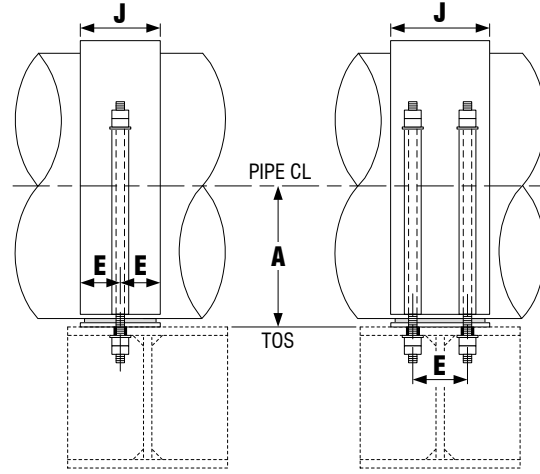
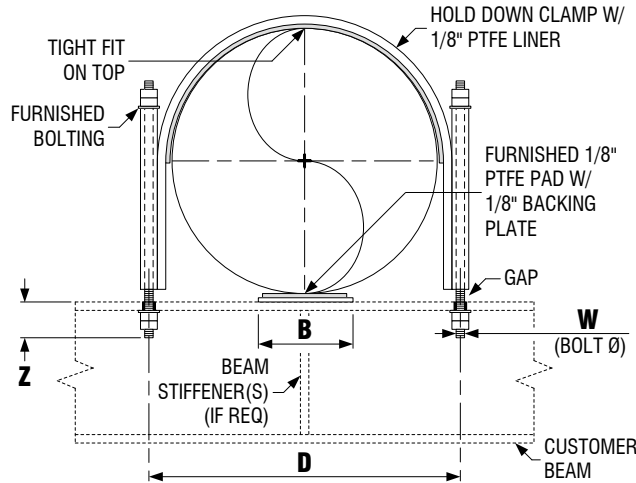
HOW TO ORDER

FIGURE # PIPE NPS OPTIONS
HPS-4204 - -

EXAMPLE: HPS-4204-12"

FIGURE 5001

**HOLD DOWN CLAMP,
PTFE PAD**



NPS 2\"/>

NPS 8\"/>

NPS	A	B	D	E	J	W	Z
2"	1 7/16"	2"	4 1/4"	1"	2"	1/2"	3"
3"	2"	2"	5 7/16"	1"	2"	1/2"	3"
4"	2 1/2"	3"	6 7/16"	1"	2"	1/2"	3"
6"	3 9/16"	4"	8 13/16"	1 1/2"	3"	3/4"	3 7/8"
8"	4 9/16"	5"	10 13/16"	4"	8"	3/4"	3 7/8"
10"	5 5/8"	5 1/2"	1'-1 5/16"	4"	8"	1"	4 9/16"
12"	6 5/8"	6"	1'-3 5/16"	4"	8"	1"	4 9/16"
14"	7 1/4"	7"	1'-4 13/16"	4"	8"	1"	4 9/16"
16"	8 1/4"	8"	1'-6 13/16"	4"	8"	1"	4 9/16"
18"	9 1/4"	9"	1'-8 13/16"	4"	8"	1"	4 9/16"
20"	10 1/4"	10"	1'-10 13/16"	4"	8"	1"	4 9/16"
24"	1'-0 1/4"	1'-0"	2'-2 13/16"	4"	8"	1"	4 9/16"
30"	1'-3 1/4"	1'-3"	2'-9 3/4"	4"	8"	1 3/4"	6 1/4"

HOW TO ORDER

FIGURE # PIPE NPS OPTIONS
HPS-5001 - -

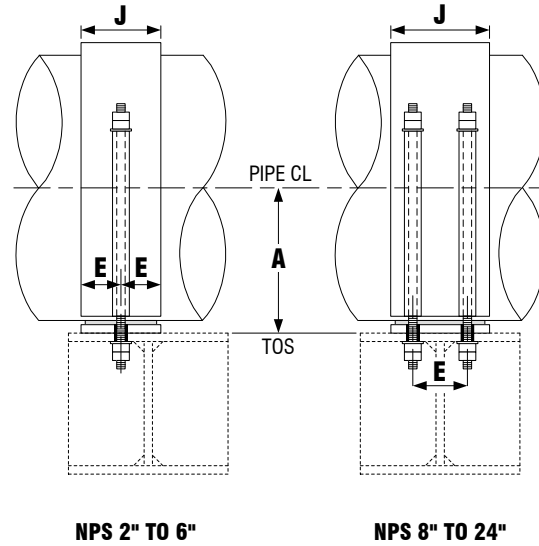
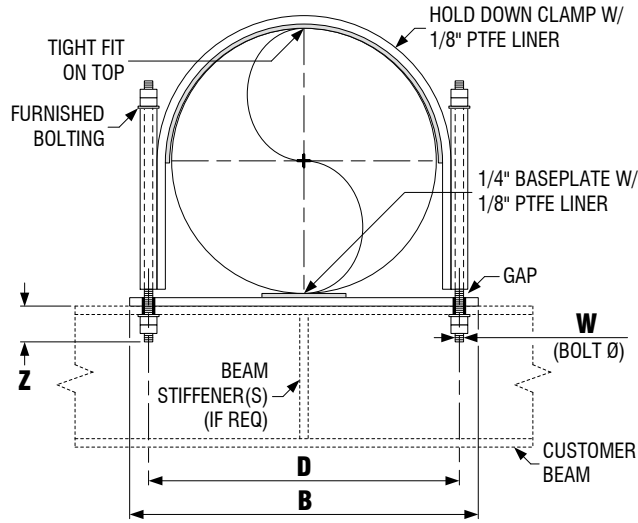
OPTION CODES

AL - 1/4" PTFE PAD INSTEAD OF 1/8"
 PTFE W/ 1/8" BACKING PLATE

EXAMPLE: HPS-5001-20"

FIGURE 5005

**HOLD DOWN CLAMP,
BASEPLATE**



NPS	A	B	D	E	J	W	Z
2"	1 9/16"	6 1/4"	4 1/4"	1"	2"	1/2"	2 7/8"
3"	2 1/8"	7 3/8"	5 7/16"	1"	2"	1/2"	2 7/8"
4"	2 5/8"	8 3/8"	6 7/16"	1"	2"	1/2"	2 7/8"
6"	3 11/16"	11 1/4"	8 13/16"	1 1/2"	3"	3/4"	3 3/4"
8"	4 11/16"	1'-1 1/4"	10 13/16"	4"	8"	3/4"	3 3/4"
10"	5 3/4"	1'-4 1/4"	1'-1 5/16"	4"	8"	1"	4 7/16"
12"	6 3/4"	1'-6 1/4"	1'-3 5/16"	4"	8"	1"	4 7/16"
14"	7 3/8"	1'-7 3/4"	1'-4 13/16"	4"	8"	1"	4 7/16"
16"	8 3/8"	1'-9 3/4"	1'-6 13/16"	4"	8"	1"	4 7/16"
18"	9 3/8"	1'-11 3/4"	1'-8 13/16"	4"	8"	1"	4 7/16"
20"	10 3/8"	2'-1 3/4"	1'-10 13/16"	4"	8"	1"	4 7/16"
24"	1'-0 3/8"	2'-5 3/4"	2'-2 13/16"	4"	8"	1"	4 7/16"
30"	1'-3 3/8"	3'-2 3/4"	2'-9 3/4"	4"	8"	1 3/4"	6 1/8"

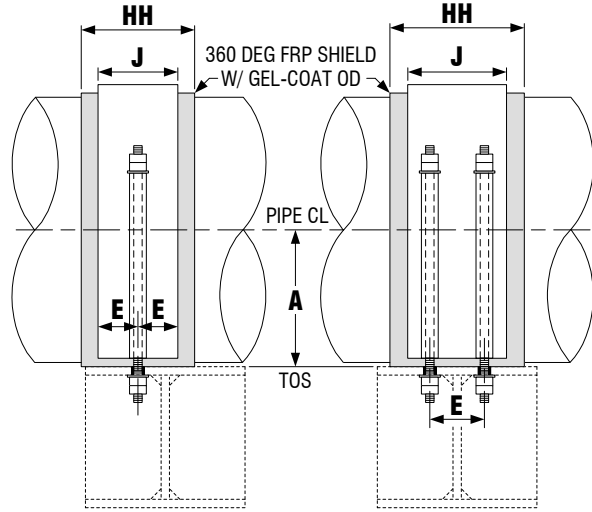
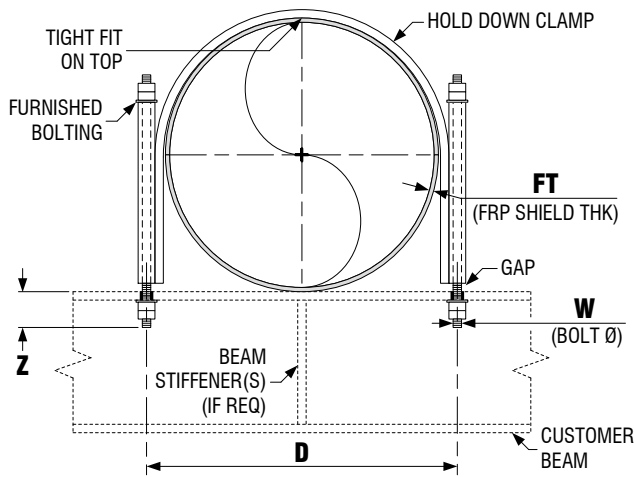
HOW TO ORDER

FIGURE # PIPE NPS OPTIONS
 - -

EXAMPLE: HPS-5005-20"

FIGURE 5011

HOLD DOWN CLAMP, FRP SHIELD



NPS 2" TO 6"

NPS 8" TO 24"

NPS	A	D	E	HH	J	W	Z
2"	1 3/16" +FT	4" +2FT	1"	1'-0"	2"	1/2"	3 1/4" -2FT
3"	1 3/4" +FT	5 3/16" +2FT	1"	1'-0"	2"	1/2"	3 1/4" -2FT
4"	2 1/4" +FT	6 3/16" +2FT	1"	1'-0"	2"	1/2"	3 1/4" -2FT
6"	3 5/16" +FT	8 9/16" +2FT	1 1/2"	1'-0"	3"	3/4"	4 1/8" -2FT
8"	4 5/16" +FT	10 9/16" +2FT	4"	1'-0"	8"	3/4"	4 1/8" -2FT
10"	5 3/8" +FT	1'-1 1/16" +2FT	4"	1'-0"	8"	1"	4 13/16" -2FT
12"	6 3/8" +FT	1'-3 1/16" +2FT	4"	1'-0"	8"	1"	4 13/16" -2FT
14"	7" +FT	1'-4 9/16" +2FT	4"	1'-0"	8"	1"	4 13/16" -2FT
16"	8" +FT	1'-6 9/16" +2FT	4"	1'-0"	8"	1"	4 13/16" -2FT
18"	9" +FT	1'-8 9/16" +2FT	4"	1'-0"	8"	1"	4 13/16" -2FT
20"	10" +FT	1'-10 9/16" +2FT	4"	1'-0"	8"	1"	4 13/16" -2FT
24"	1-0" +FT	2'-2 9/16" +2FT	4"	1'-0"	8"	1"	4 13/16" -2FT
30"	1-3" +FT	2'-9 1/2" +2FT	4"	1'-3"	8"	1 3/4"	6 1/2" -2FT

HOW TO ORDER

FIGURE # PIPE NPS "FT" DIM OPTIONS
 - - -

EXAMPLE: HPS-5011-20"-0.25"

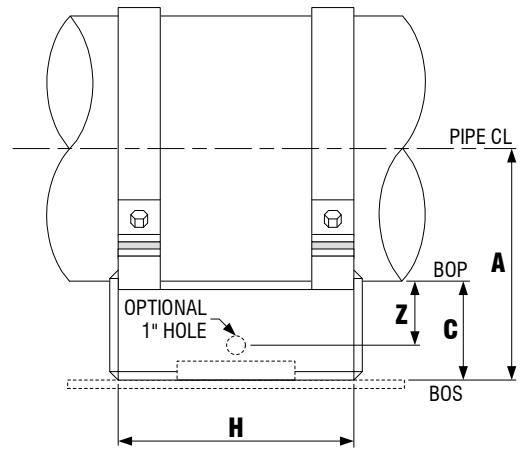
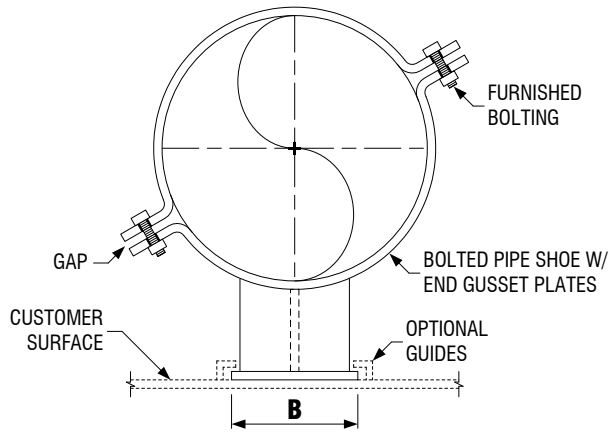
OPTION CODES

NF - FRP/EPOXY BY CUSTOMER

NOTES

1. FRP SHIELD FURNISHED PRE-ROUGHENED W/ EPOXY

FIGURE 6001 **BOLTED PIPE SHOE,
END GUSSET PLATES**



NPS	A	B	C	H	Z (STD)
2"	5 3/16"	5 1/4"	4"	1'-0"	2 1/2"
3"	5 3/4"	5 1/4"	4"	1'-0"	2 1/2"
4"	6 1/4"	5 1/4"	4"	1'-0"	2 1/2"
6"	7 5/16"	5 1/4"	4"	1'-0"	2 1/2"
8"	8 5/16"	5 1/4"	4"	1'-0"	2 1/2"
10"	9 3/8"	5 1/4"	4"	1'-0"	2 1/2"
12"	10 3/8"	6 1/2"	4"	1'-0"	2 1/2"
14"	11"	6 1/2"	4"	1'-0"	2 1/2"
16"	1'-0"	8"	4"	1'-0"	2 1/2"
18"	1'-1"	8"	4"	1'-0"	2 1/2"
20"	1'-2"	10"	4"	1'-0"	2 1/2"
24"	1'-4"	10"	4"	1'-0"	2 1/2"

HOW TO ORDER

FIGURE # PIPE NPS OPTIONS
HPS-6001 - -

EXAMPLE: HPS-6001-20"

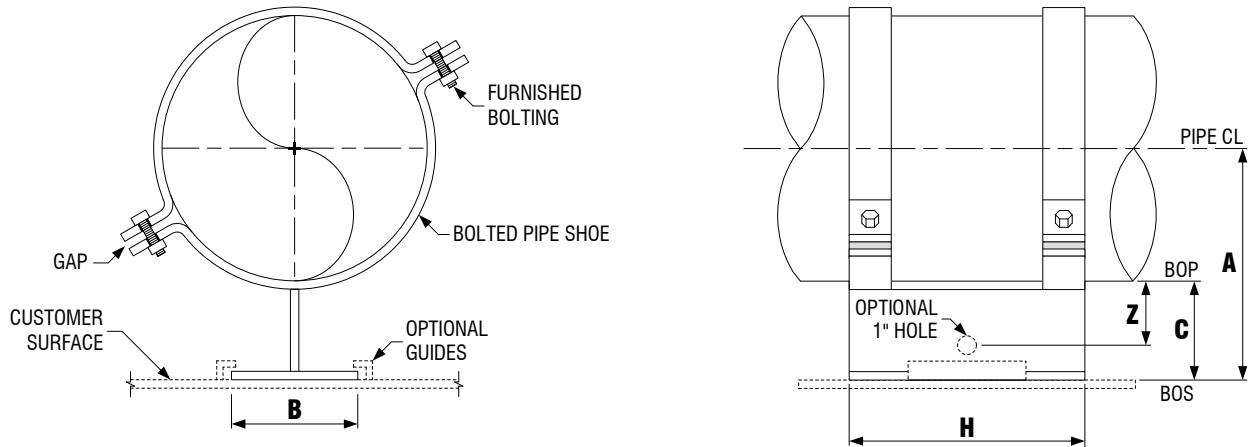
OPTION CODES

SL - BANDING HOLE(S)
 GA - GUIDE ANGLES
 LL - LONG LENGTH, H = 1'-6"
 LE - EXTRA LONG LENGTH, H = 2'-0"
 BF - BARE FINISH

NOTES

1. (2) BANDING HOLES FOR SL-LE

FIGURE 6002 BOLTED PIPE SHOE



NPS	A	B	C	H	Z (STD)
2"	5 3/16"	5 1/4"	4"	1'-0"	2 1/2"
3"	5 3/4"	5 1/4"	4"	1'-0"	2 1/2"
4"	6 1/4"	5 1/4"	4"	1'-0"	2 1/2"
6"	7 5/16"	5 1/4"	4"	1'-0"	2 1/2"
8"	8 5/16"	5 1/4"	4"	1'-0"	2 1/2"
10"	9 3/8"	5 1/4"	4"	1'-0"	2 1/2"
12"	10 3/8"	6 1/2"	4"	1'-0"	2 1/2"
14"	11"	6 1/2"	4"	1'-0"	2 1/2"
16"	1'-0"	8"	4"	1'-0"	2 1/2"
18"	1'-1"	8"	4"	1'-0"	2 1/2"
20"	1'-2"	10"	4"	1'-0"	2 1/2"
24"	1'-4"	10"	4"	1'-0"	2 1/2"

HOW TO ORDER

FIGURE # PIPE NPS OPTIONS
HPS-6002 - -

EXAMPLE: HPS-6002-2"

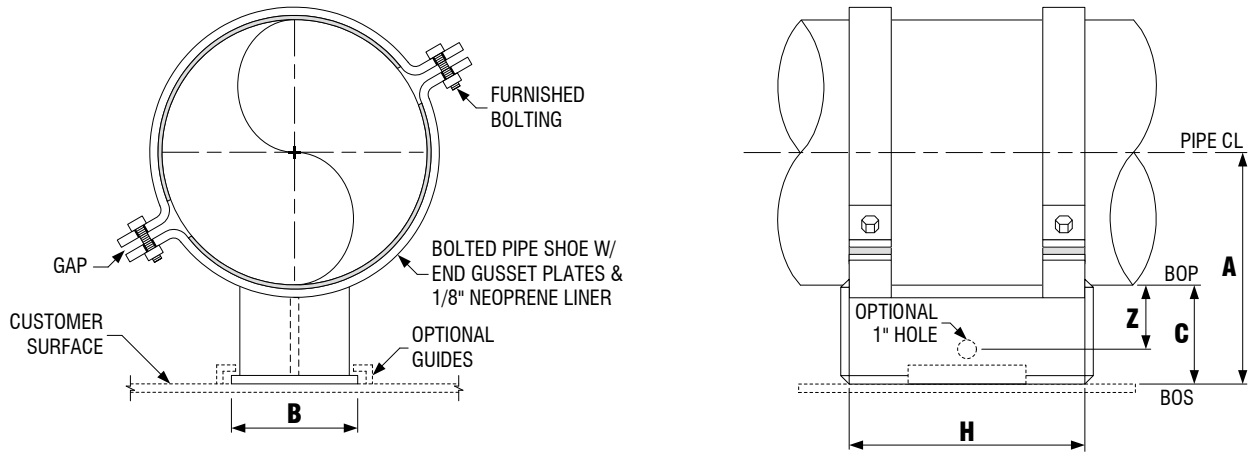
OPTION CODES

SL - BANDING HOLE(S)
 GA - GUIDE ANGLES
 LL - LONG LENGTH, H = 1'-6"
 LE - EXTRA LONG LENGTH, H = 2'-0"
 BF - BARE FINISH

NOTES

1. (2) BANDING HOLES SL-LE

**FIGURE 6003 BOLTED PIPE SHOE,
END GUSSET PLATES**



NPS	A	B	C	H	Z (STD)
2"	5 3/16"	5 1/4"	4"	1'-0"	2 1/2"
3"	5 3/4"	5 1/4"	4"	1'-0"	2 1/2"
4"	6 1/4"	5 1/4"	4"	1'-0"	2 1/2"
6"	7 5/16"	5 1/4"	4"	1'-0"	2 1/2"
8"	8 5/16"	5 1/4"	4"	1'-0"	2 1/2"
10"	9 3/8"	5 1/4"	4"	1'-0"	2 1/2"
12"	10 3/8"	6 1/2"	4"	1'-0"	2 1/2"
14"	11"	6 1/2"	4"	1'-0"	2 1/2"
16"	1'-0"	8"	4"	1'-0"	2 1/2"
18"	1'-1"	8"	4"	1'-0"	2 1/2"
20"	1'-2"	10"	4"	1'-0"	2 1/2"
24"	1'-4"	10"	4"	1'-0"	2 1/2"

HOW TO ORDER

FIGURE # PIPE NPS OPTIONS
HPS-6003 - -

EXAMPLE: HPS-6003-2"

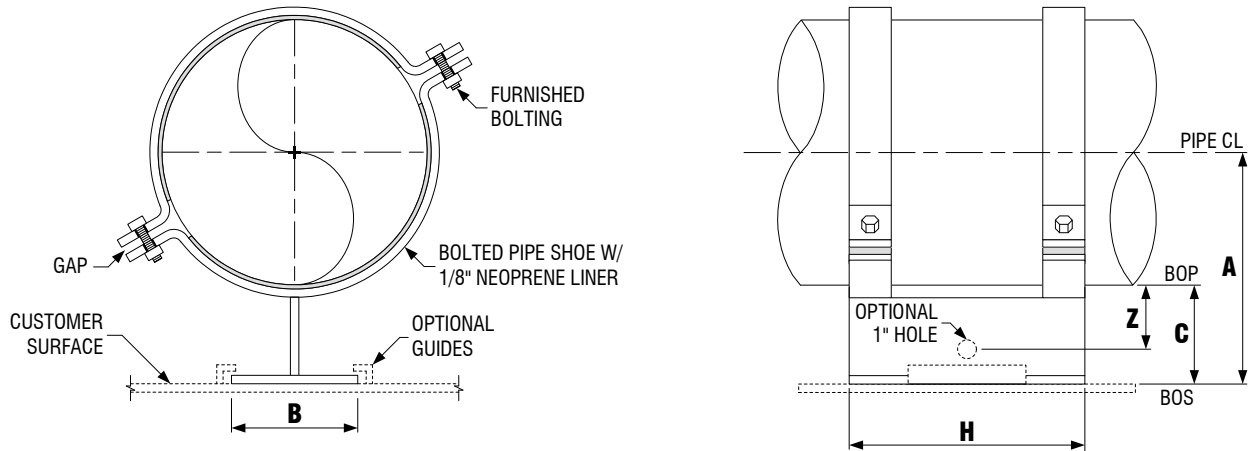
OPTION CODES

SL - BANDING HOLE(S)
 GA - GUIDE ANGLES
 LL - LONG LENGTH, H = 1'-6"
 LE - EXTRA LONG LENGTH, H = 2'-0"

NOTES

1. (2) BANDING HOLES FOR SL-LE

FIGURE 6004 BOLTED PIPE SHOE



NPS	A	B	C	H	Z (STD)
2"	5 3/16"	5 1/4"	4"	1'-0"	2 1/2"
3"	5 3/4"	5 1/4"	4"	1'-0"	2 1/2"
4"	6 1/4"	5 1/4"	4"	1'-0"	2 1/2"
6"	7 5/16"	5 1/4"	4"	1'-0"	2 1/2"
8"	8 5/16"	5 1/4"	4"	1'-0"	2 1/2"
10"	9 3/8"	5 1/4"	4"	1'-0"	2 1/2"
12"	10 3/8"	6 1/2"	4"	1'-0"	2 1/2"
14"	11"	6 1/2"	4"	1'-0"	2 1/2"
16"	1'-0"	8"	4"	1'-0"	2 1/2"
18"	1'-1"	8"	4"	1'-0"	2 1/2"
20"	1'-2"	10"	4"	1'-0"	2 1/2"
24"	1'-4"	10"	4"	1'-0"	2 1/2"

HOW TO ORDER

FIGURE # PIPE NPS OPTIONS
HPS-6004 - -

EXAMPLE: HPS-6004-2"

OPTION CODES

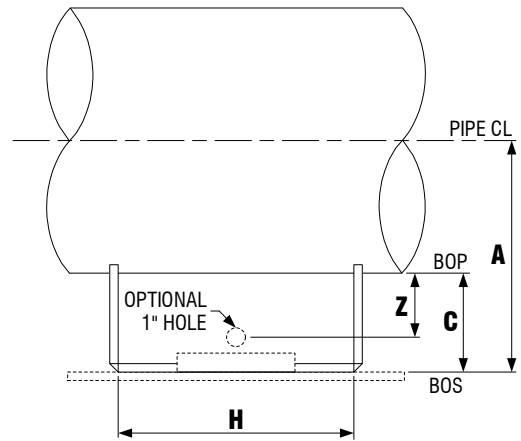
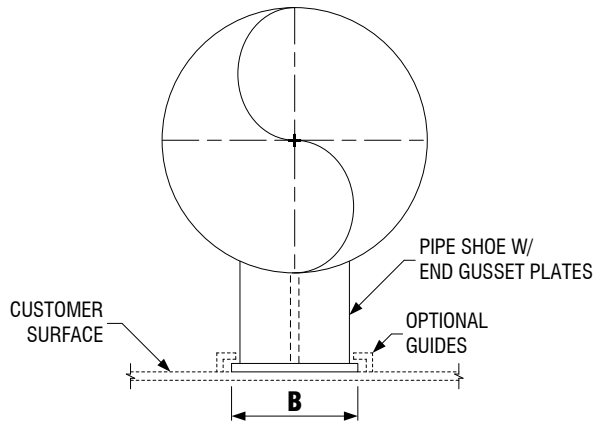
SL - BANDING HOLES(S)
 GA - GUIDE ANGLES
 LL - LONG LENGTH, H = 1'-6"
 LE - EXTRA LONG LENGTH, H = 2'-0"

NOTES

1. (2) BANDING HOLES FOR SL-LE

FIGURE 6501

WELD-ON PIPE SHOE, END GUSSET PLATES



NPS	A	B	C	H	Z (STD)
2"	5 3/16"	5 1/4"	4"	1'-0"	2 1/2"
3"	5 3/4"	5 1/4"	4"	1'-0"	2 1/2"
4"	6 1/4"	5 1/4"	4"	1'-0"	2 1/2"
6"	7 5/16"	5 1/4"	4"	1'-0"	2 1/2"
8"	8 5/16"	5 1/4"	4"	1'-0"	2 1/2"
10"	9 3/8"	5 1/4"	4"	1'-0"	2 1/2"
12"	10 3/8"	6 1/2"	4"	1'-0"	2 1/2"
14"	11"	6 1/2"	4"	1'-0"	2 1/2"
16"	1'-0"	8"	4"	1'-0"	2 1/2"
18"	1'-1"	8"	4"	1'-0"	2 1/2"
20"	1'-2"	10"	4"	1'-0"	2 1/2"
24"	1'-4"	10"	4"	1'-0"	2 1/2"

HOW TO ORDER

FIGURE # PIPE NPS OPTIONS

HPS-6501 - -

EXAMPLE: HPS-6501-20"

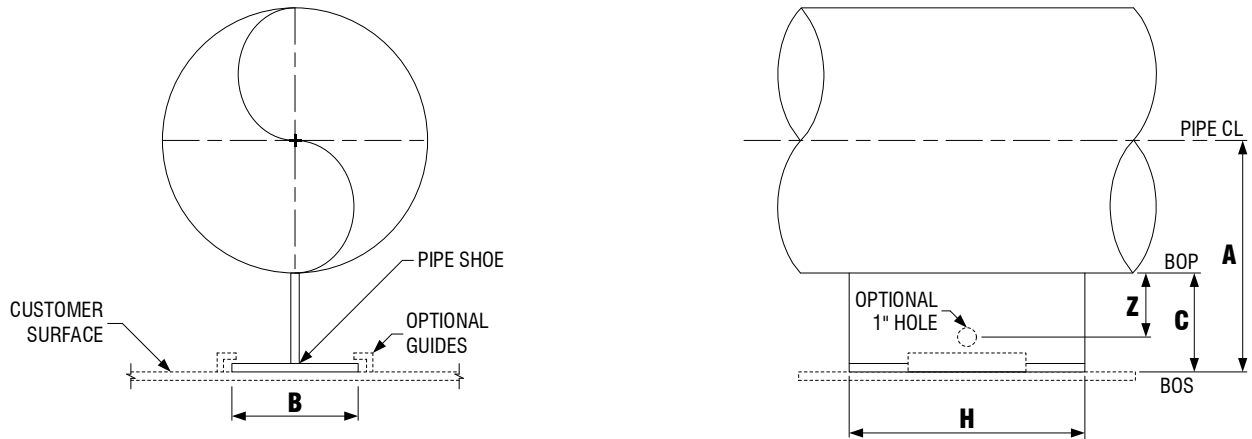
OPTION CODES

- SL - BANDING HOLE(S)
- GA - GUIDE ANGLES
- LL - LONG LENGTH, H = 1'-6"
- LE - EXTRA LONG LENGTH, H = 2'-0"
- BF - BARE FINISH

NOTES

1. (2) BANDING HOLES FOR SL-LE

FIGURE 6502 WELD-ON PIPE SHOE



NPS	A	B	C	H	Z (STD)
2"	5 3/16"	5 1/4"	4"	1'-0"	2 1/2"
3"	5 3/4"	5 1/4"	4"	1'-0"	2 1/2"
4"	6 1/4"	5 1/4"	4"	1'-0"	2 1/2"
6"	7 5/16"	5 1/4"	4"	1'-0"	2 1/2"
8"	8 5/16"	5 1/4"	4"	1'-0"	2 1/2"
10"	9 3/8"	5 1/4"	4"	1'-0"	2 1/2"
12"	10 3/8"	6 1/2"	4"	1'-0"	2 1/2"
14"	11"	6 1/2"	4"	1'-0"	2 1/2"
16"	1'-0"	8"	4"	1'-0"	2 1/2"
18"	1'-1"	8"	4"	1'-0"	2 1/2"
20"	1'-2"	10"	4"	1'-0"	2 1/2"
24"	1'-4"	10"	4"	1'-0"	2 1/2"

HOW TO ORDER

FIGURE # PIPE NPS OPTIONS
HPS-6502 - -

EXAMPLE: HPS-6502-2"

OPTION CODES

SL - BANDING HOLE(S)
 GA - GUIDE ANGLES
 LL - LONG LENGTH, H = 1'-6"
 LE - EXTRA LONG LENGTH, H = 2'-0"
 BF - BARE FINISH

NOTES

1. (2) BANDING HOLES FOR SL-LE